



INSTALLATION INSTRUCTIONS

PSB-2096-2097-2098-2099-2390 PLASMA DISPLAY MOUNTING BRACKET

Prior to assembly, unpack carton completely and verify contents.

If you are missing any of the following components, please contact Customer Service at 1-800/582-6480

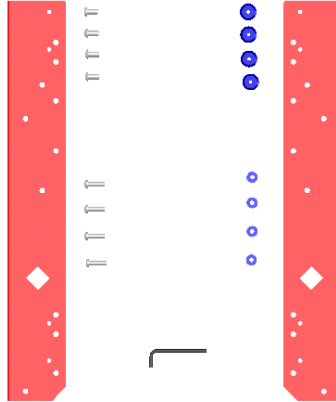


Figure 1

- (1) Plasma Left Bracket
- (4) Mounting Buttons-Tapped 10-24
- (4) M5-.8 x 20mm Phillips Head Cap Screws
- (1) 1/8 Allen Key

- (1) Plasma Right Bracket
- (4) 10-24 x .5 Button Head Cap Screws
- (4) .500 OD x .194 ID x .375 Spacer Nylon

BEFORE PROCEEDING, READ INSTALLATION INSTRUCTIONS COMPLETELY

CAUTION! PLASMA DISPLAYS ARE EXTREMELY FRAGILE.

1. Using a 10-24 button head cap screw inserted from back side of bracket, secure mounting button, with chamfered hole of mounting button (larger surface) facing bracket, to bracket (four places) (see Figure 2 & Figure 3).
2. Remove existing mounting buttons from back of display (if applicable).

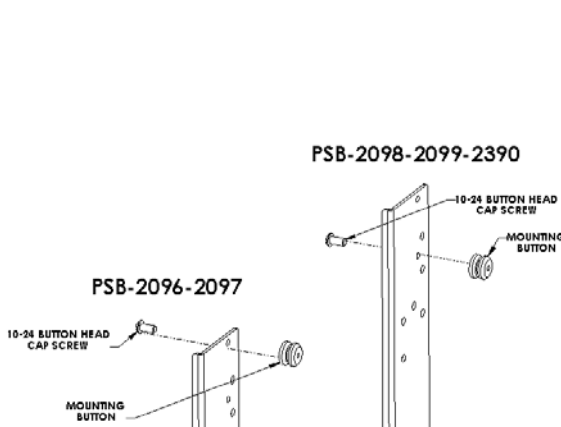


Figure 2

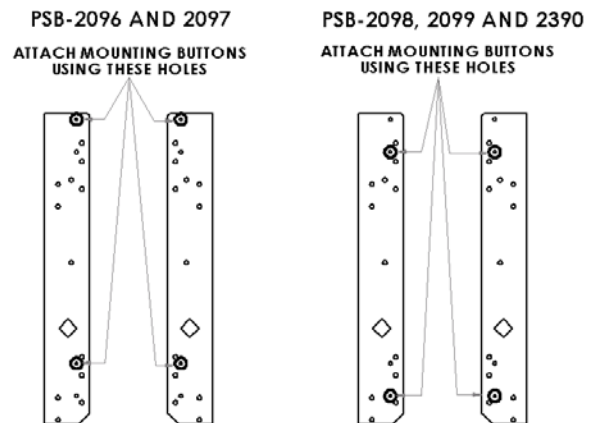


Figure 3

- Place Nylon spacers on mounting holes and align hole pattern on brackets with pattern on back of Plasma Display (see Figure 4 & Figure 5a, 5b, 5c, 5d or 5e).
- Attach bracket using M5 Phillips head screws.

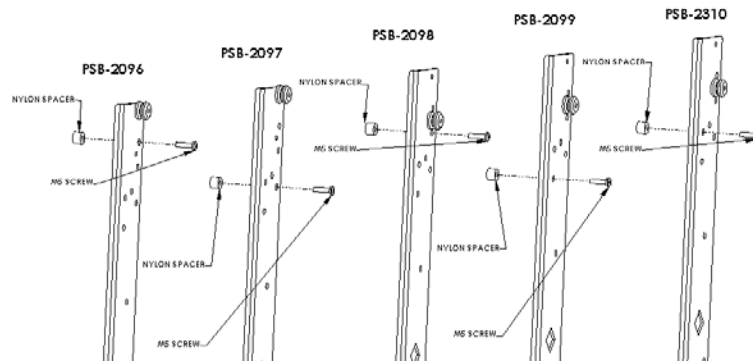


Figure 4

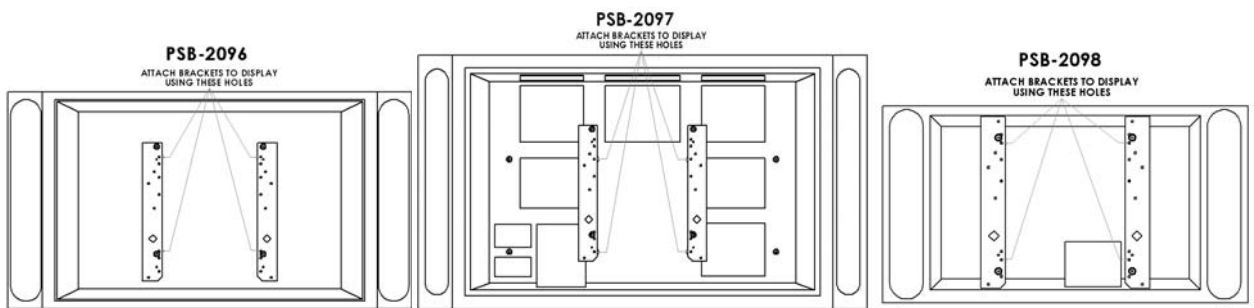


Figure 5a

Figure 5b

Figure 5c

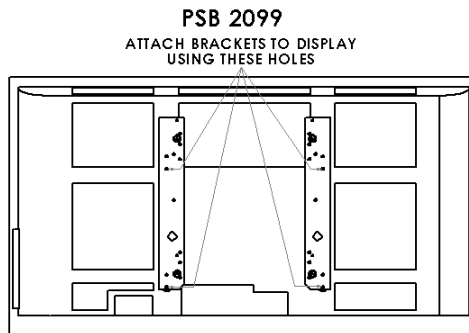


Figure 5d

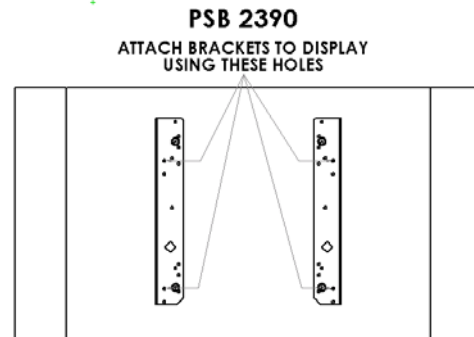


Figure 5e

- With the aid of another person, lift Plasma Display up to the Chief Mount, aligning buttons on mounting brackets with slots in the Chief Mount.
- Lower safety latch on the Chief Mount to secure Plasma Display, making sure latch is completely engaged.