



INSTALLATION INSTRUCTIONS

PSB-2097

PLASMA DISPLAY MOUNTING BRACKET

Prior to assembly, unpack carton completely and verify contents.

If you are missing any of the following components, please contact Customer Service at 1-800/582-6480

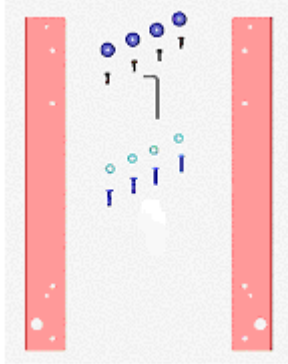


Figure 1

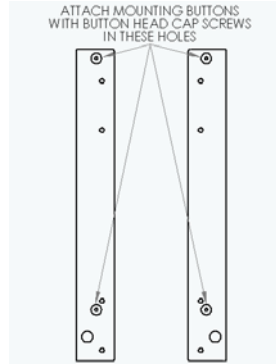


Figure 2

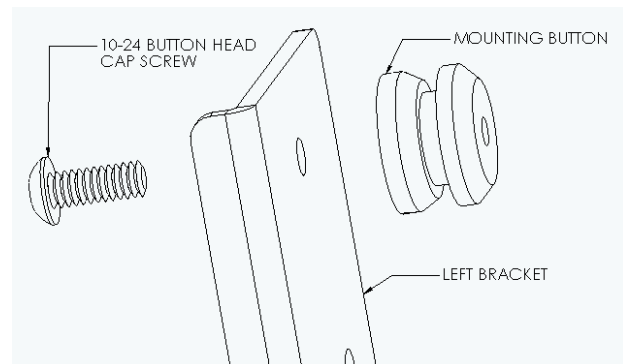


Figure 3

- (1) Plasma Left Bracket
- (4) Mounting Buttons-Tapped 10-24
- (4) M5-.8 x 20mm Phillips Head Cap Screws
- (1) 1/8" Allen Key

- (1) Plasma Right Bracket
- (4) 10-24 x .5" Button Head Cap Screws
- (4) 1/2(#10) x 3/8 RD Spacer Nylon

BEFORE PROCEEDING, READ INSTALLATION INSTRUCTIONS COMPLETELY

CAUTION!

PLASMA DISPLAYS ARE EXTREMELY FRAGILE.

1. Using a 10-24 button head cap screw inserted from back side of bracket, secure mounting button, with chamfered hole of mounting button (larger surface) facing bracket, to bracket (four places) (See Figures 2 & 3).
2. Remove existing mounting buttons from back of display. Place nylon spacers on mounting holes and align hole pattern on brackets with pattern on back of Plasma Display (See Figures 4 & 5). Attach bracket utilizing the M5 phillips head screws.
3. With the aid of another person, lift Plasma Display up to the Chief Mount, aligning buttons of mounting brackets with slots in the Chief Mount.
4. Lower safety latch on the Chief Mount to secure Plasma Display, making sure latch is completely engaged.

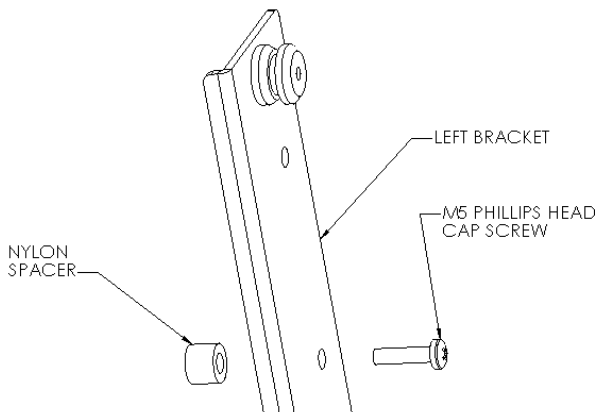


Figure 4

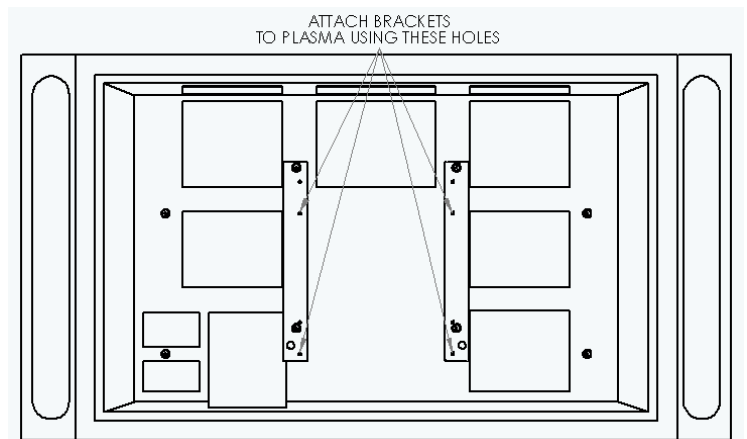


Figure 5

03/21/03