



INSTALLATION INSTRUCTIONS

PSB-2096-2097-2098-2390-2392-2393

LARGE FLAT PANEL DISPLAY MOUNTING BRACKET

Prior to assembly, unpack carton completely and verify contents.
 If you are missing any of the following components, please contact Customer Service at 1-800/582-6480

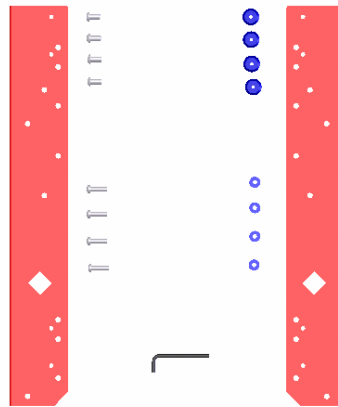


Figure 1

- (1) Left Bracket
- (4) Mounting Buttons-Tapped 10-24
- (4) M5-.8 x 20mm Phillips Head Cap Screws
- (1) 1/8 Allen Key

- (1) Right Bracket
- (4) 10-24 x .5 Button Head Cap Screws
- (4) .500 OD x .194 ID x .375 Spacer Nylon

BEFORE PROCEEDING, READ INSTALLATION INSTRUCTIONS COMPLETELY

CAUTION! DISPLAYS ARE EXTREMELY FRAGILE.

1. Using a 10-24 button head cap screw inserted from back side of bracket, secure mounting button, with chamfered hole of mounting button (larger surface) facing bracket, to bracket (four places) (see Figure 2 & Figure 3).
2. Remove existing mounting buttons from back of display (if applicable).

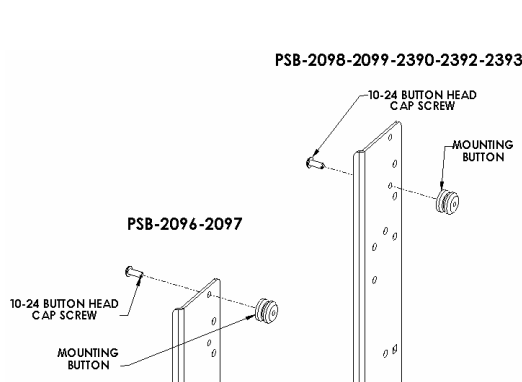


Figure 2

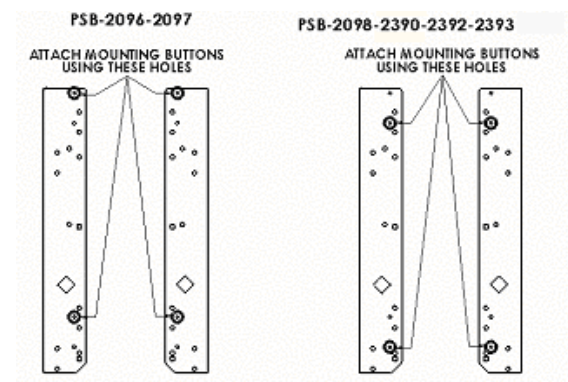


Figure 3

- Place Nylon spacers over the mounting holes and align the hole pattern on the brackets with the pattern on the back of your display (see Figure 4 & Figure 5a, 5b, 5c, 5d, 5e or 5f).
- Attach the brackets using M5 Phillips head screws.

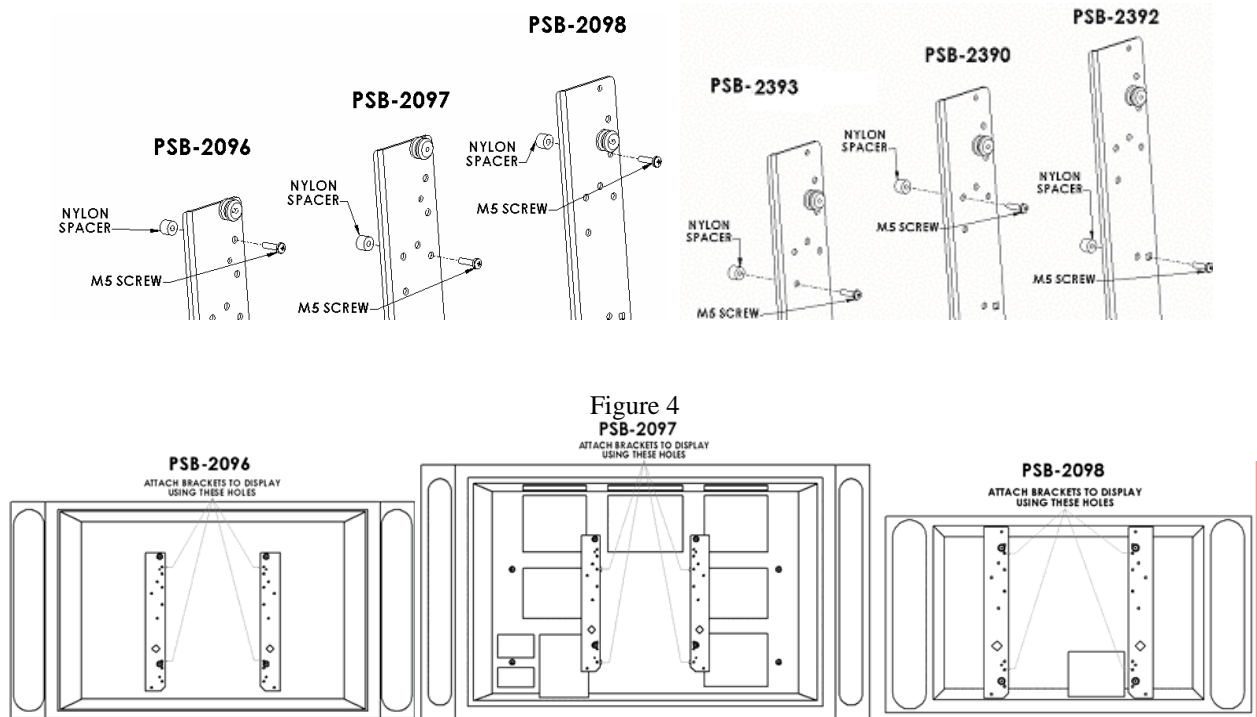


Figure 5a

Figure 5b

Figure 5c

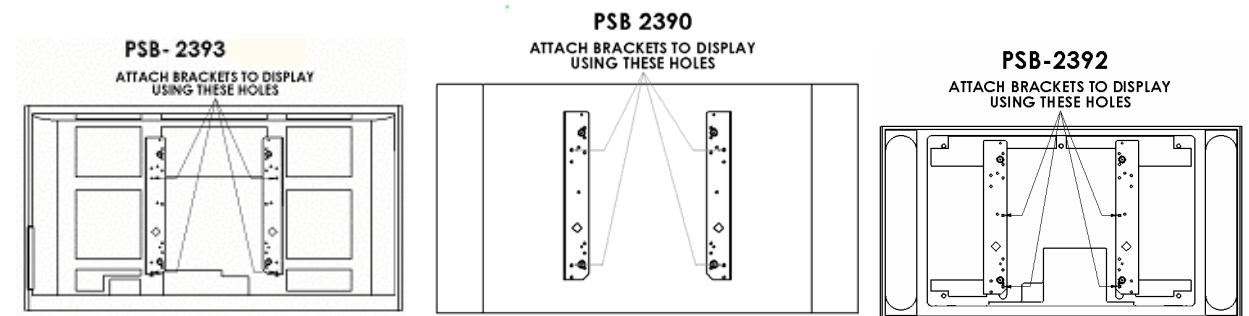


Figure 5d

Figure 5e

Figure 5f

- With the aid of another person, lift the display up to the Chief Mount, aligning buttons on mounting brackets with slots in the Chief Mount.
- Lower safety latch on the Chief Mount to secure the display, making sure the latch is completely engaged.