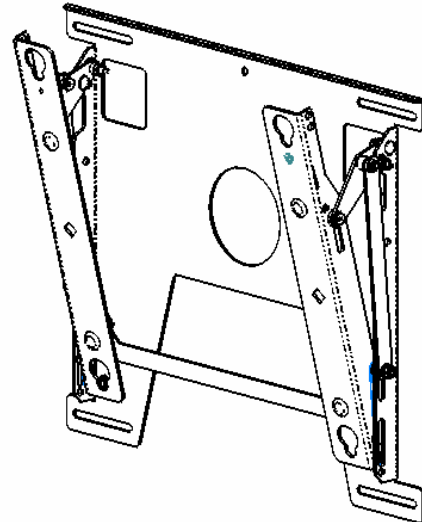

INSTALLATION INSTRUCTIONS

Plasma Low Profile (OSPLP Series) Wall Mount

The OS-PLP wall mount is a quick disconnect mounting system with a pitch adjustment range between 0 and 15 degrees. The mount can be adjusted to accommodate the weight of different plasma screens. The mount is approximately 1-7/16" deep in the retracted position.

Once the brackets are attached to the plasma screen, simply mount the PLP securely on a wall, lock the plasma screen in place using the convenient locking flag, and attach the audio/video cables. The bottom of the PLP pulls forward 3" and locks in place, allowing easy access for cable attachment.

The PLP is hidden behind the plasma screen, making it a low profile wall mount.



BEFORE YOU BEGIN

- **Caution:** To prevent damage to the mount, which could affect or void the Factory warranty, and to the equipment that will be attached to it, thoroughly study all instructions and illustrations before you begin the installation. Pay particular attention to the "Important Warnings and Cautions" on Page 2.
- The maximum weight to be installed on the mount is 150 lbs (68.04 Kg).
- If you have any questions about this installation, contact Chief Manufacturing at 1-800-582-6480.

NOTE: This manual (8805-000125) supersedes manual 8804-000005.

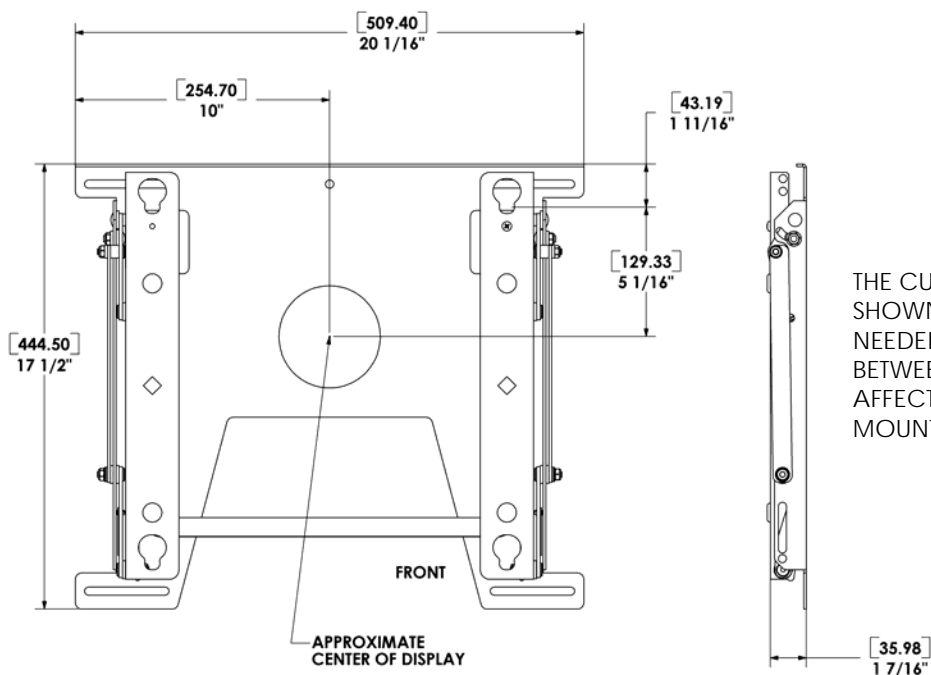


IMPORTANT WARNINGS AND CAUTIONS!

WARNING: A **WARNING** alerts you to the possibility of serious injury or death if you do not follow the instructions.

CAUTION: A **CAUTION** alerts you to the possibility of damage or destruction of equipment if you do not follow the corresponding instructions.

- **WARNING:** Improper installation can result in serious personal injury! Make sure that the structural members can support a redundant weight factor *five times* the total weight of the equipment: if not, reinforce the structure before installing the PLP.
- **WARNING:** Be aware also of the potential for personal injury or damage to the unit if it is not adequately mounted.
- **WARNING:** The installer is responsible for verifying that the wall to which the PLP is anchored will safely support the combined load of all attached components or other equipment.
- **WARNING:** The weight of the PLP display must not exceed 150 lbs. (68.04 kg), the maximum load capacity of the PLP.
- **WARNING:** Watch for pinch points. Do not put your fingers between movable parts.
- **WARNING:** Make sure the mount and brackets are correctly oriented (tabs down, 16" apart).
- **WARNING:** Make sure the flag securing the display is completely lowered at all times *except* when removing or installing the display. The flag must be all the way down when installing/removing cables.
- **CAUTION:** Check the unit for shipping damage before you begin the installation.



NOTE

THE CUSTOM INTERFACE BRACKET IS NOT SHOWN. THE CUSTOM INTERFACE BRACKET NEEDED FOR YOUR DISPLAY WILL ADD BETWEEN 1/2" AND 2" IN DEPTH AND MAY AFFECT LOCATION OF DISPLAY OF THE MOUNT.

Dimensional Drawing

PLP ASSEMBLY

WARNING: The PLP must be installed with correct end, indicated by “Mount This Side Up”, on top.

WARNING: It is the responsibility of the installer to verify that the wall to which the PLP is anchored will safety support the combined load of all attached components and equipment.

With the PLP correctly oriented (Mount This Side Up) and level, secure the PLP to the wall using a minimum of four fasteners (not included). Fasteners must be driven into the supporting wall studs or other supporting framework.

Mount the Display

1. Make sure no power is supplied to the display and the flag is in the up position before attempting to mount the display.
2. Using two people, slide the display down over the PLP. Make sure all four Quick Latches (Q-Latches) of the display engage all four slots in the PLP.
3. With the Q-Latches of the display fully engaged in the slots of the PLP, secure the display on the PLP by lowering the flag all the way down to the locked position. *If the flag does not fully engage, remove the display and make sure the brackets are correctly installed.*

NOTE: A security lock may be installed through the hole in the flag for additional security.

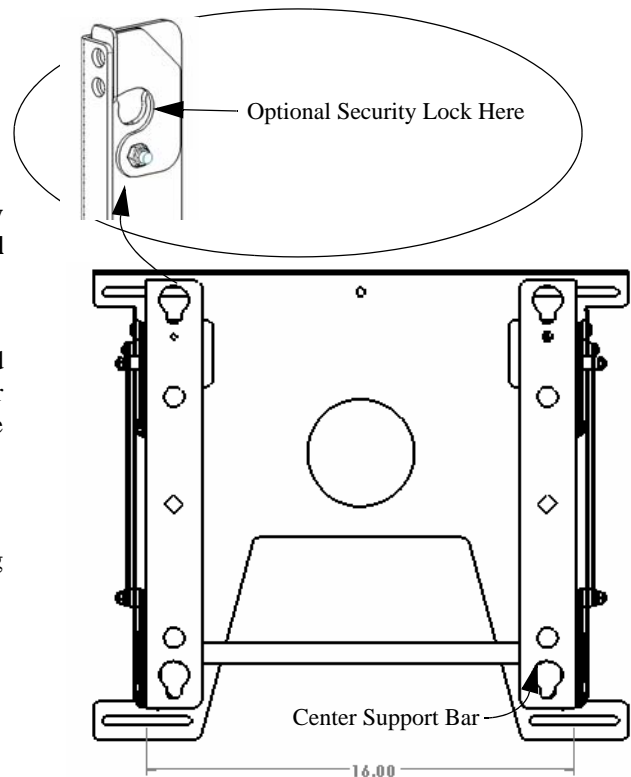
NOTE: If display does not remain at desired tilt setting, tighten the bolt on the tilt arm on each side.

WARNING: Make sure the flag securing the display is completely lowered at all times except when removing or installing the display. The flag must be all the way down when installing/removing cables.

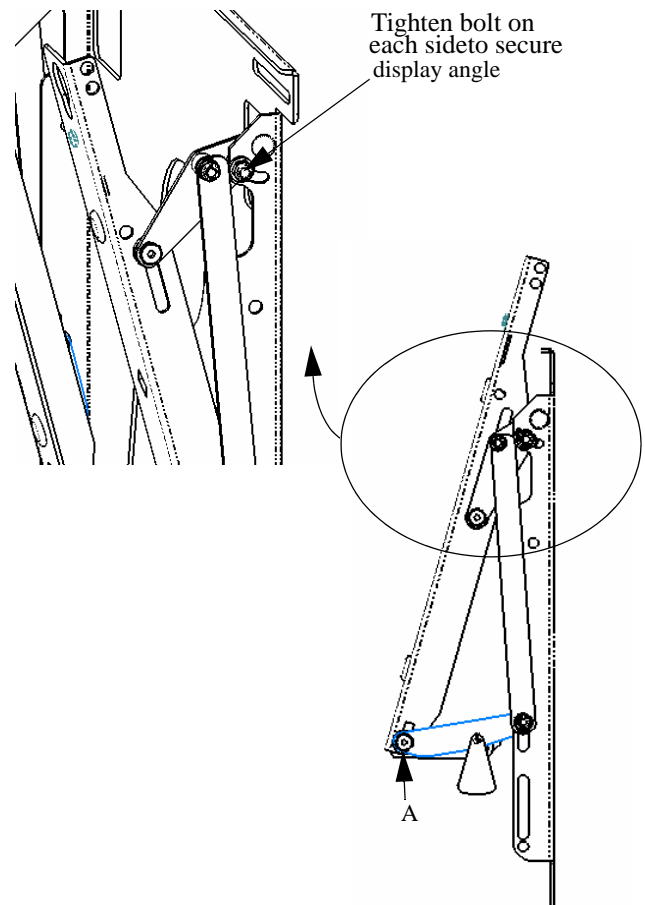
4. If necessary, pull the bottom of the display up and out to install power/audio/video cables. Lower the two latches to prevent the display from moving back, making sure the safety bar lowers into to secure the latches.

WARNING: Watch for pinch points. Do not put your fingers between movable parts.

5. Raise and lower latches (A) by raising and lowering the center support bar, being careful not to pinch fingers, return the bottom of the display.



Front View



Side View

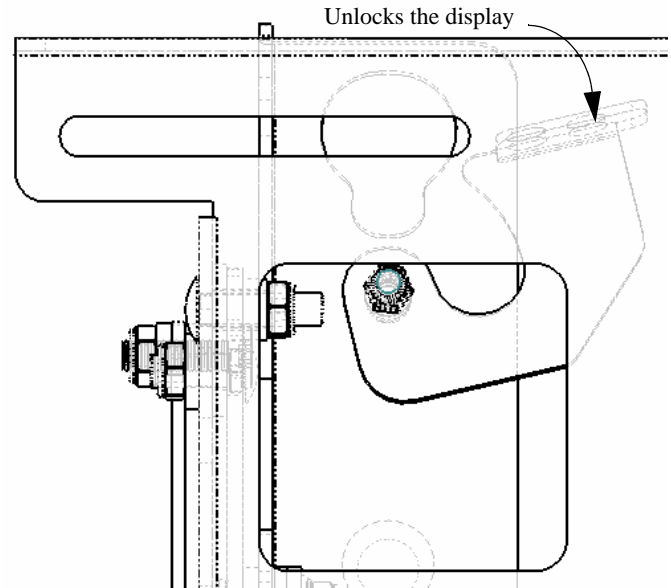
Remove the Display

WARNING: Make sure the flag securing the display is completely lowered at all times except when removing or installing the display. The flag must be all the way down when installing/removing cables.

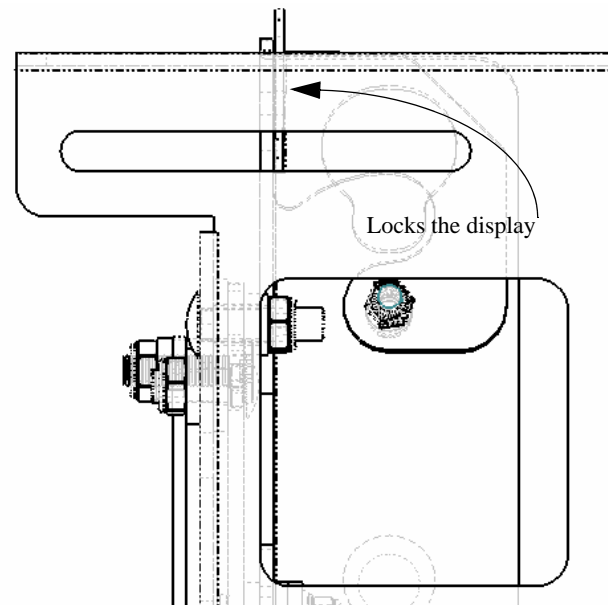
1. If necessary, pull the bottom of the display up and out, lower latches by lowering the center support bar and disconnect all power/audio/video cables.

WARNING: Watch for pinch points. Do not put your fingers between movable parts.

2. Pull the bottom of the display up and out slightly, raise latches by raising the center support bar and, being careful not to pinch fingers, return the bottom of the display.
3. Unlock the display from the PLP by raising the flag all the way up to the unlocked position.
4. Using two people, slide the display up and out of the PLP.



Unlock Display



Lock Display