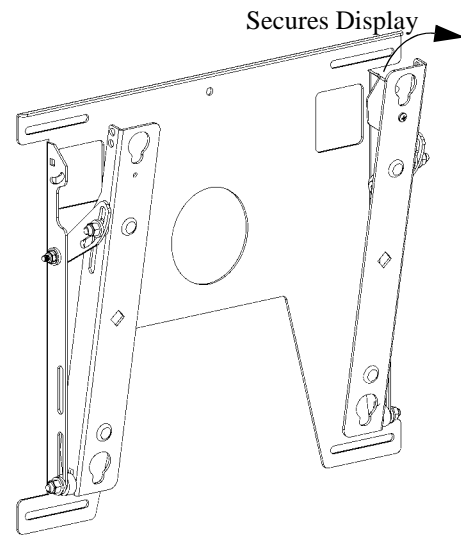

INSTALLATION INSTRUCTIONS

Chief OSPRO Mount with Q-latch™ Mounting System

The Chief PRO plasma wall mount is a quick disconnect mounting system with adjustability between 0 and 15 degrees pitch. The optional lateral shift bracket (PAC-125) allows 4" lateral shift either side of a 16" center stud system.

Once the bracket is attached to the plasma display, simply attach the PRO mount securely on a wall, lock the display in place using the convenient Q-latch, and attach your audio/video cables.

The PRO is virtually invisible when the display is mounted on the PRO.



BEFORE YOU BEGIN

- **Caution: To prevent damage to the mount, which could void factory warranty and affect the attached equipment, thoroughly study all instructions and illustrations before you begin the installation. Pay particular attention to the “Important Warnings and Precautions” on Page 1.**
- The mount is designed to be installed using wall studs or supporting framework. The fasteners used to anchor the mount must be capable of supporting five times the total weight of the equipment.
- The maximum weight to be installed on the mount is 175 pounds (79.38 Kg).
- If you have any questions about this installation, contact Chief Manufacturing at 1-800-582-6480.



IMPORTANT WARNINGS AND PRECAUTIONS!

- WARNING:** A **WARNING** alerts you to the possibility of serious injury or death if you do not follow the instructions.
- CAUTION:** A **CAUTION** alerts you to the possibility of damage or destruction of equipment if you do not follow the corresponding instructions.
- **WARNING: Improper installation can result in serious personal injury! Make sure that the structural members can support a weight factor *five times* the total weight of the equipment. If not, reinforce the structure before installing the mount.**
 - **WARNING: Be aware also of the potential for personal injury or damage to the unit if it is not adequately mounted.**
 - **WARNING: The installer is responsible for verifying that the wall to which the mount is anchored will safely support the combined load of all attached components or other equipment.**
 - **WARNING: Watch for pinch points. Do not put your fingers between movable parts.**
 - **WARNING: Make sure the mount and brackets are correctly oriented.**
 - **WARNING: Make sure the latching flag securing the display is completely engaged at all times *except* when removing or installing the display. The latching flag must be all completely engaged when installing/removing cables.**
 - **CAUTION:** Check the unit for shipping damage before you begin the installation.
 - **CAUTION:** Use only the mounting screws provided and **DO NOT OVER TIGHTEN** mounting screws.

CONTENTS

INSTALL MOUNT	2
ADJUST MOUNT	2
INSTALL PLASMA BRACKET	2
DIMENSIONAL DRAWING	3

TOOLS REQUIRED FOR INSTALLATION

- Phillips screwdrivers, No. 1 and No. 2 TIP
- Drill and bit set
- Wrench set

NOTE: Other tools may be required depending on the method of installation.

INSTALL MOUNT

Install the mount as follows:

1. Determine the exact mounting location prior to installation and draw a level line to indicate the desired height for the top of the mounting plate.

WARNING: Improper installation can result in serious personal injury! Make sure that the structural framework can support a weight factor *five times* the total weight of the equipment. If not, reinforce the structure before installing the mount.

2. With the mount correctly oriented and level, secure the mount to the wall (Figure 1) using four fasteners (not included). Fasteners must be driven into the supporting wall studs or other supporting framework.
3. Check mount to ensure it is level and adjust to level if necessary.

ADJUST MOUNT

Adjust the mount as follows:

1. Loosen nut on each adjustment arm (see Figure 2).
2. Position mounting plate to desired angle.
3. Tighten nut on each adjustment arm (see Figure 2).

INSTALL PLASMA BRACKET

Install plasma bracket(s) according to the instructions provided. The bracket(s) is/are designed for your specific model. When screen has been installed, a padlock can be used to lock the latch.

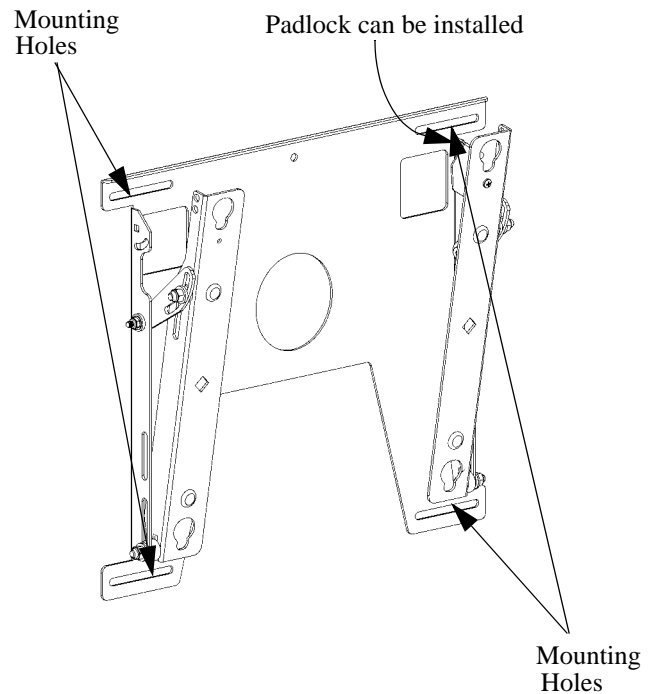


Figure 1. Mounting Hole Locations

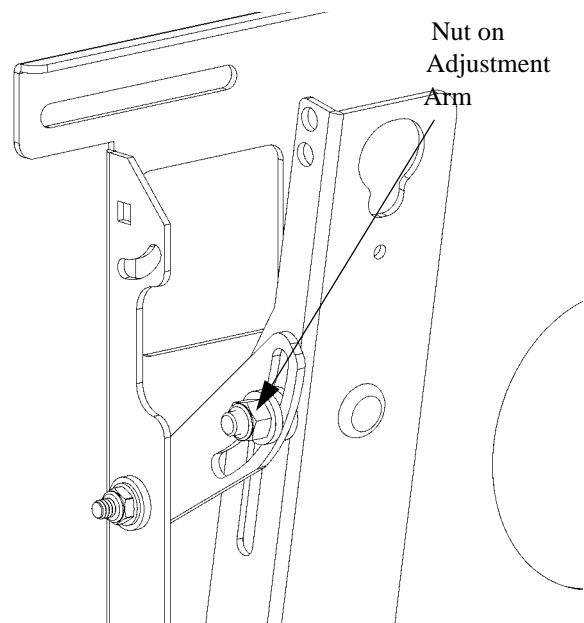


Figure 2. Adjustment arm

DIMENSIONAL DRAWING

