



## INSTALLATION INSTRUCTIONS

# PAC-002 ASUS CPU KIT

Prior to assembly, unpack carton completely and verify contents.

If you are missing any of the following components, please contact Customer Service at 1-800/582-6480

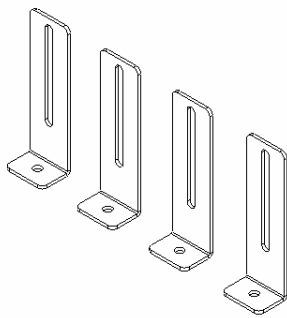


Figure 1

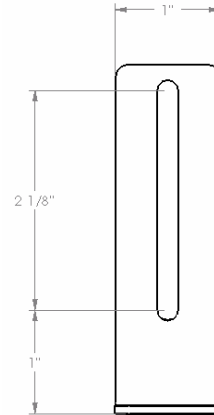


Figure 2

### PARTS

(quantity 4) Extended CPU Bottom Side Bracket (see Figure 1 and Figure 2)

BEFORE PROCEEDING, READ INSTALLATION INSTRUCTIONS COMPLETELY

## CAUTION!

**FLAT PANEL DISPLAYS AND CPUs ARE EXTREMELY FRAGILE.**

1. Follow PAC-251 Universal CPU Adapter instructions while replacing existing bottom side brackets with those from PAC-002 (See Figure 3).

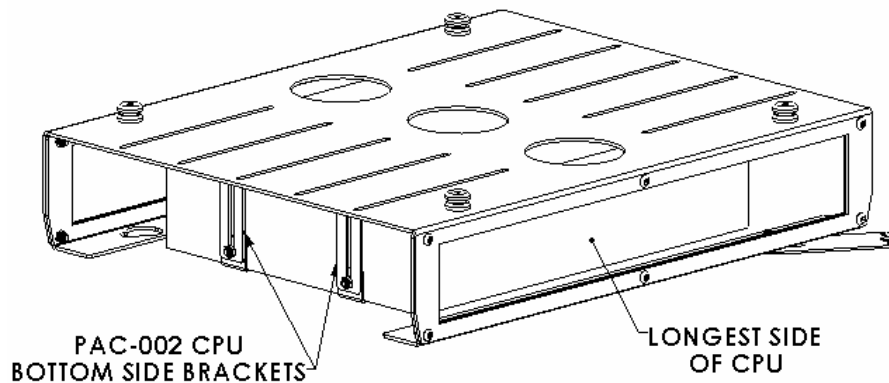


Figure 3