

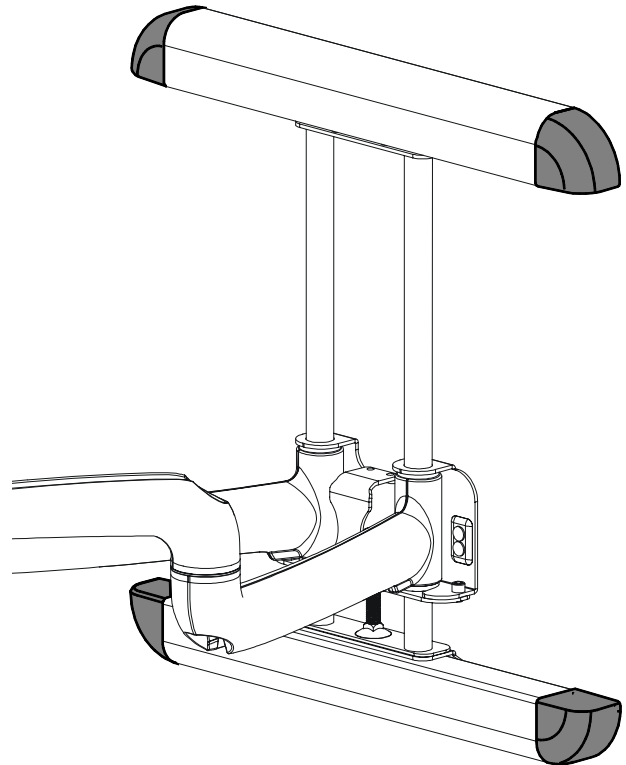
---

# INSTALLATION INSTRUCTIONS

---

## End Cap Kit

Model: PAC-003



### BEFORE YOU BEGIN

---

**⚠ CAUTION!**

To prevent damage to the Kit, which could affect or void the Factory warranty, and to the equipment that will be attached to it, thoroughly study all instructions and illustrations before you begin the installation.

- If you have any questions about this installation, contact Chief Manufacturing at 1-800-582-6480.

**INTRODUCTION**

**TOOLS REQUIRED FOR INSTALLATION**

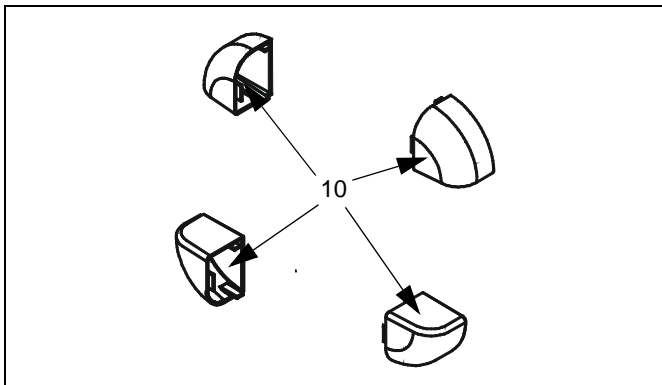
- No Tools required for this installation

**INSPECT MOUNT BEFORE ASSEMBLY**

Carefully inspect components for shipping damage . If damage is apparent, call your carrier claims agent and do not continue with installation until the carrier has reviewed the damage.(see Figure 1)

**Table 1: Parts**

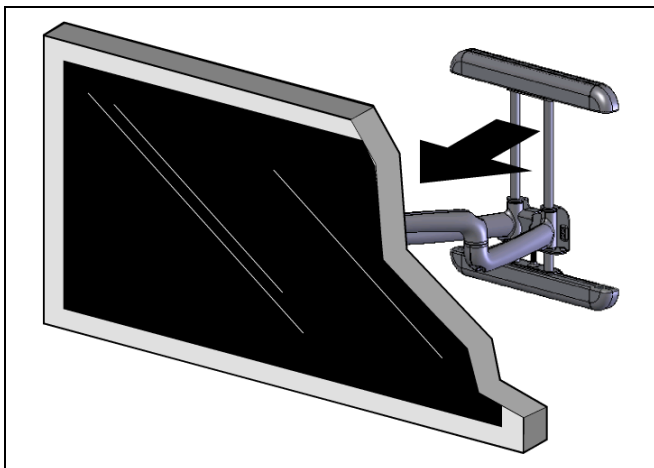
Ref.	Description	QTY
10	CAPS, End	4



**Figure 1: PARTS**

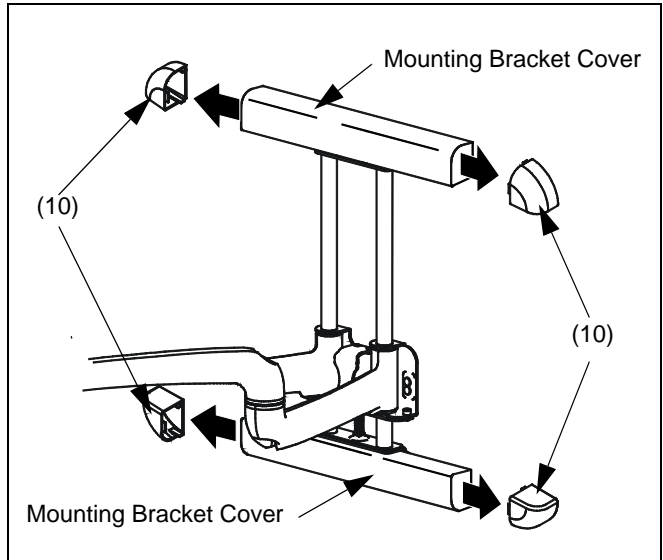
**END CAP REMOVAL**

1. Pull display outward to extended position.



**Figure 2: Position Display**

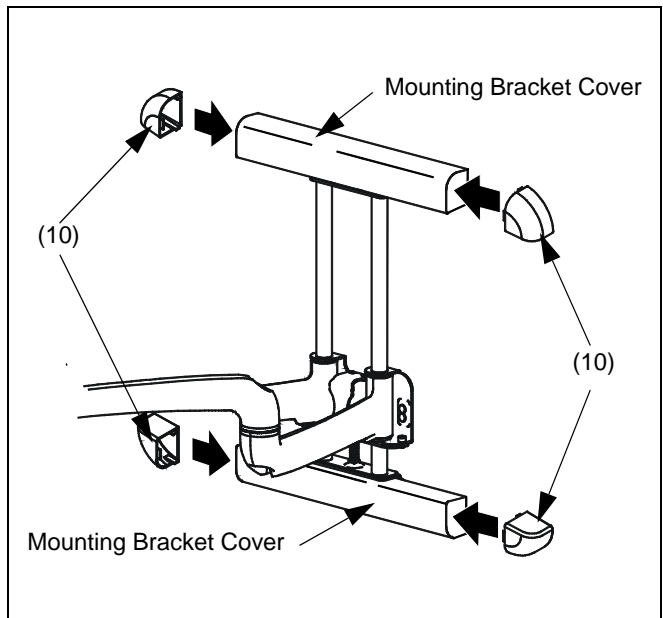
2. Firmly grasp end cap(s) and pull outward, away from mount. (see Figure 3)



**Figure 3: Remove End Existing Caps**

**END CAP INSTALLATION**

1. Orient new end cap(s) so that profile(s) match profile of mounting bracket cover(s). (see Figure 4)
2. Align tabs in end cap(s) with corresponding slots in mounting bracket cover(s).
3. Firmly push end cap(s) into corresponding slots in mounting bracket cover(s) until no gap remains between end cap(s) and cover(s).



**Figure 4: Install End Caps**