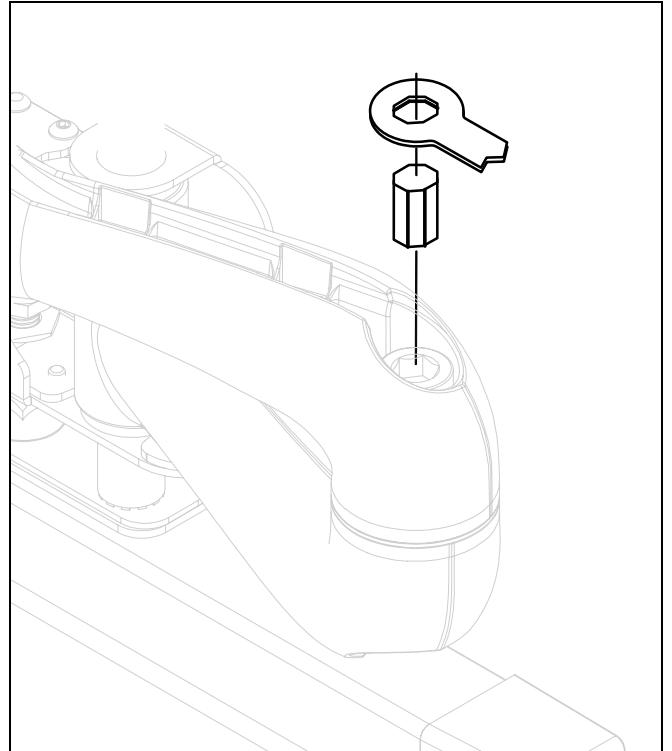

INSTALLATION INSTRUCTIONS

Adjustment Wrench Kit

Model: PAC-004

The PAC-004 adjustment wrench kit contains the tools required to properly perform swing arm tension adjustments.



BEFORE YOU BEGIN



CAUTION: To prevent damage to the Kit, which could affect or void the Factory warranty, and to the equipment that will be attached to it, thoroughly study all instructions and illustrations before you begin the installation. Pay particular attention to the "Important Precautions" on Page 2.

- If you have any questions about the use of this kit, contact Chief Manufacturing at 1-800-582-6480.

INTRODUCTION

INSPECT KIT BEFORE USING

Carefully inspect all components for shipping damage . If damage is apparent, call your carrier claims agent and do not continue with installation until the carrier has reviewed the damage. (See Figure 1)

Table 1: Parts

Ref.	Description	QTY
10	WRENCH, Adjustment	1
20	BAR, Adjustment	1

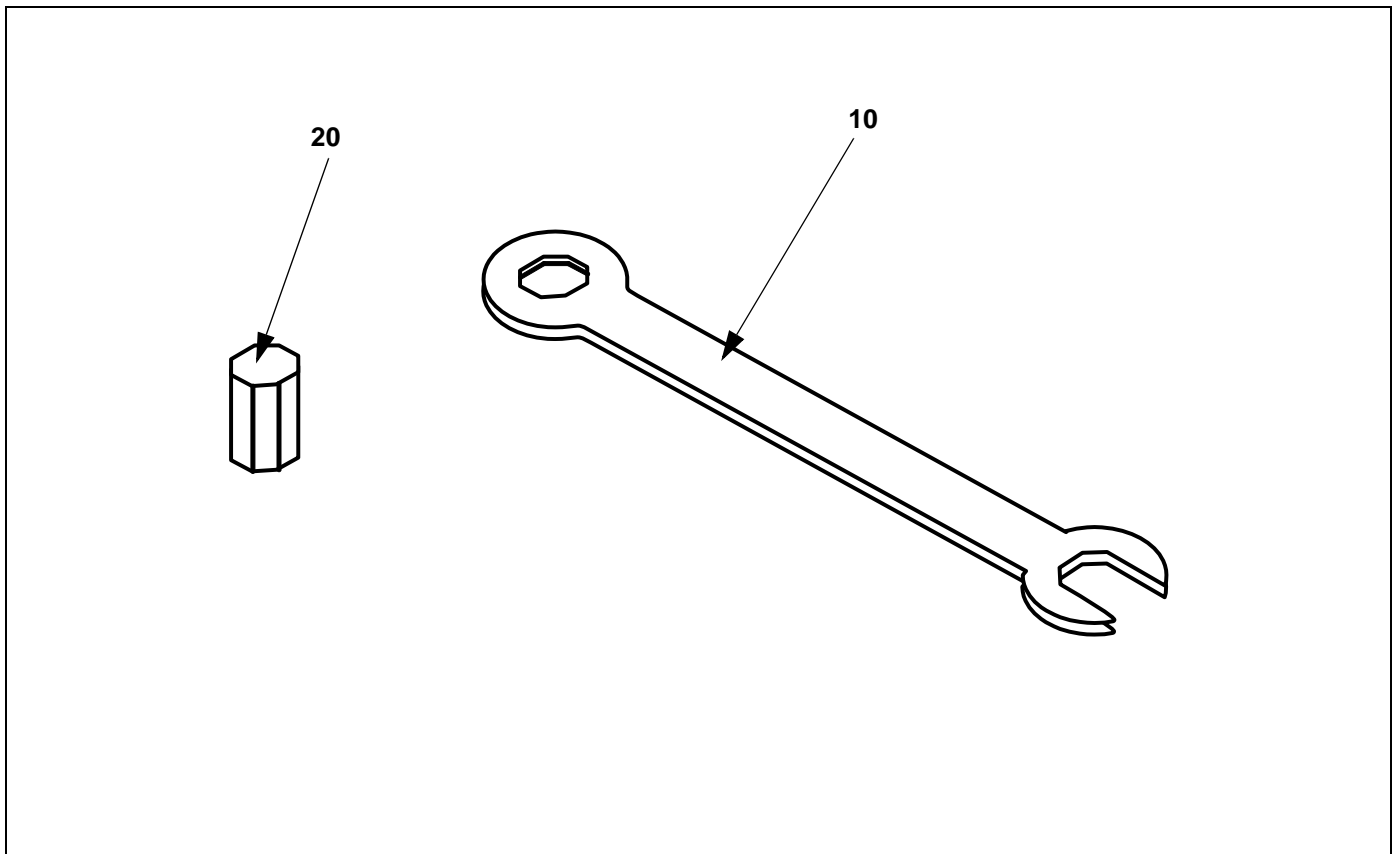


Figure 1: Parts Kit

USING WRENCH AND BAR

Swing arm tension is pre-set at the factory and is adjusted to accommodate displays with weights near the top of the mounts capacity.

If smaller displays are used it may be difficult to reposition the display after mounting. Swing arm tension can be adjusted to compensate for smaller display by:

NOTE: The display must be mounted prior to adjusting swing arm tension.

1. Locate the adjustment bar (20) and adjustment wrench (10).
2. Place adjustment bar (20) into socket head cap screw located at swing arm pivot point. (see figure 2)

NOTE: The display may need to be repositioned in order to gain access to the tension adjustment screw(s).

3. Using the adjustment wrench (10), turn adjustment bar (20) clockwise to increase swing arm tension or counterclockwise to reduce swing arm tension. (see figure 3) and (see figure 4)

NOTE: Small adjustments of 1/8 turn or less are typically all that is required to achieve desired tension.

4. Check swing arm tension. If desired tension is present, tension adjustment is complete. If additional tension adjustment is required, repeat steps 2 thru 4 until desired tension is achieved.

NOTE: If changing from a smaller display to a larger display may be necessary to increase swing arm tension.

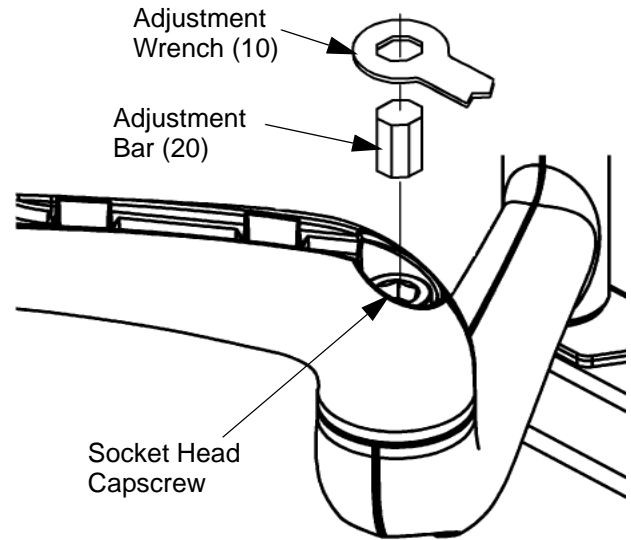


Figure 2: Pivot Arm Tension Adjustment

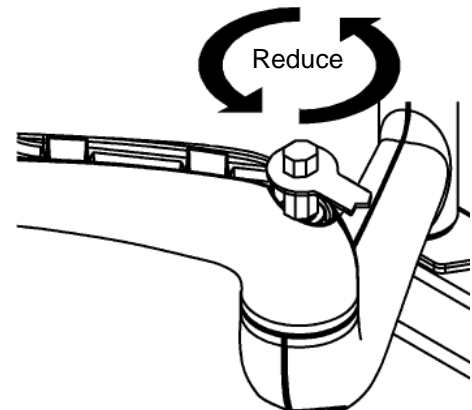


Figure 3: Reduce Swing Arm Tension

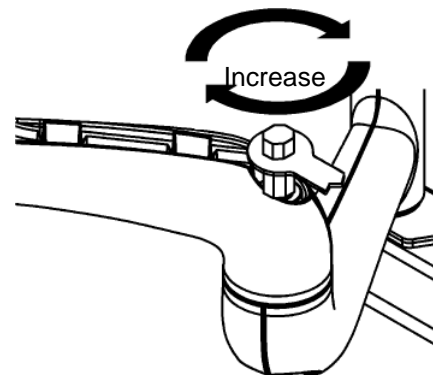


Figure 4: Increase Swing Arm Tension