

INSTALLATION INSTRUCTIONS

PAC007 Swing Arm Tilt Mechanism With LFP Faceplate

Unpack carton and verify kit contents. If any listed parts are missing, immediately contact a Chief Customer Service representative by calling 1-800-582-6480.

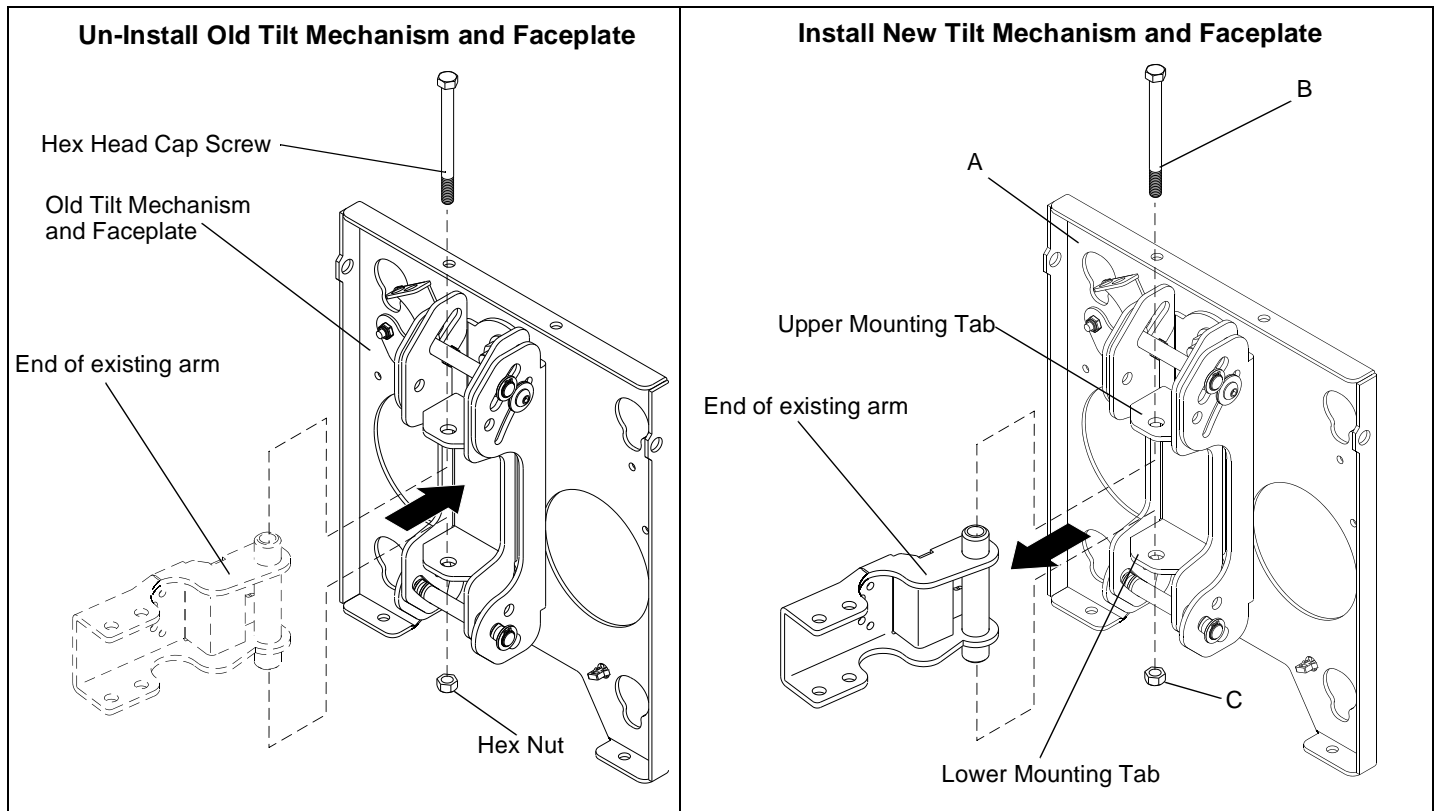


WARNING: IMPROPER INSTALLATION CAN LEAD TO EQUIPMENT FALLING CAUSING SERIOUS PERSONAL INJURY AND DAMAGE TO EQUIPMENT! DO NOT substitute hardware. Use only hardware supplied by manufacturer!

A (1) Tilt Mechanism with Faceplate

C (1) Nut, Lock, 3/8-16

B (1) Screw, Hex head cap, 3/8-16 x 4 1/2"



Installation:



WARNING: OVERTIGHTENING OF SCREWS CAN DAMAGE PARTS AND LEAD TO SERIOUS PERSONAL INJURY AND DAMAGE TO EQUIPMENT! DO NOT over tighten screws when installing Interface bracket.

1. Dis-assemble existing tilt mechanism with faceplate from arm by removing one hex head cap crew and one hex nut and discard hardware.
2. Align mounting holes in new tilt mechanism with end of arm.
3. Slide new tilt mechanism onto arm so that end of arm is between upper and lower mounting tabs in new tilt mechanism.
4. Secure new tilt mechanism to arm using one 3/8-16 x 4 1/2" hex head cap screw and one 3/8-16 lock nut.

CSAV, Inc., and its affiliated corporations and subsidiaries (collectively, "CSAV"), intend to make this manual accurate and complete. However, CSAV makes no claim that the information contained herein covers all details, conditions or variations, nor does it provide for every possible contingency in connection with the installation or use of this product. The information contained in this document is subject to change without notice or obligation of any kind. CSAV makes no representation of warranty, expressed or implied, regarding the information contained herein. CSAV assumes no responsibility for accuracy, completeness or sufficiency of the information contained in this document.