
INSTALLATION INSTRUCTIONS

PAC-104 TRUSS ADAPTER BRACKET

Prior to assembly, unpack carton and verify contents (see Figure 1).
If you are missing any of the following components, please contact Customer Service at
1-800-582-6480

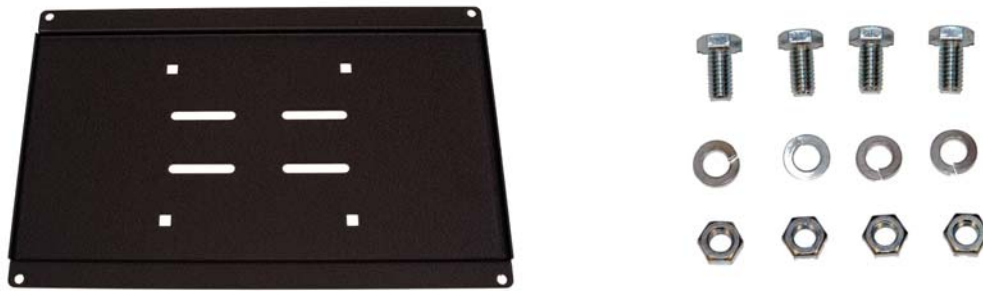


Figure 1

- | | |
|---------------------------------------|-----------------------|
| (1) Truss Adapter Bracket | (4) 5/16" Lock Washer |
| (4) 5/16-18 x 5/8" Hex Head Cap Screw | (4) 5/16" Hex Nut |

BEFORE PROCEEDING, READ INSTALLATION INSTRUCTIONS COMPLETELY.

ASSEMBLY INSTRUCTIONS

1. Secure the PRO or PST to the truss adapter bracket using four 5/16-18 x 5/8" hex head cap screws, four 5/16" lock washers, and four 5/16" hex nuts inserted from the backside of the bracket (See Figure 2).
2. Secure bracket to truss.

CAUTION!

PLASMA DISPLAYS ARE EXTREMELY FRAGILE. EXERCISE CARE WHEN HANDLING THE PLASMA DISPLAY TO AVOID EQUIPMENT DAMAGE.

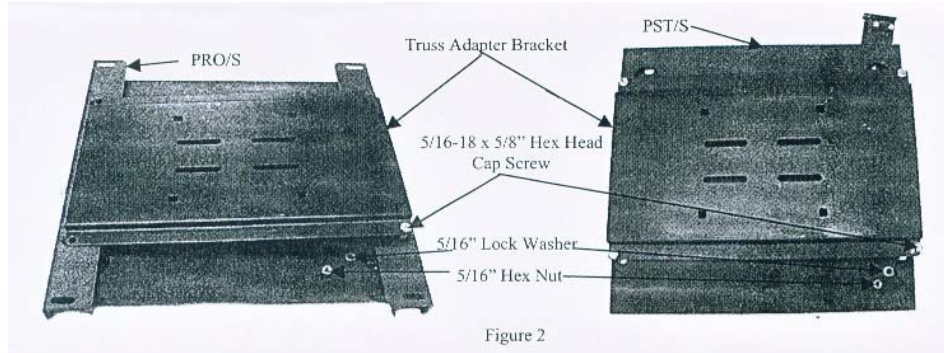


Figure 2