

# INSTALLATION INSTRUCTIONS

## PFS BRACE ASSEMBLY

### PAC-105

The PAC-105 accessory is designed for use with the Chief floor stand.

**WARNING: IMPROPER INSTALLATION MAY RESULT IN SERIOUS PERSONAL INJURY!**

When mounting Chief Manufacturing accessories, the structural system and mounting method **MUST** be capable of supporting 5 times the combined weight of the total installation.

The total weight placed on the floor stand must not exceed 300 pounds (136.1 Kg).

Unpack and check contents:

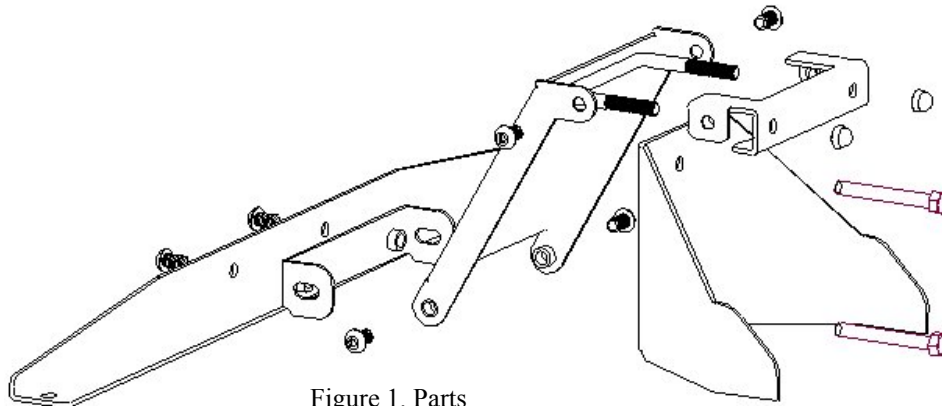


Figure 1. Parts

- |                           |  |
|---------------------------|--|
| (1) Rear Brace Attachment | (1) U-bolt, 3/8-16, 4"ID X 3" Deep       |
| (1) Brace Clevis          | (6) Button Head Cap Screw, 3/8-16 X 5/8" |
| (1) Brace Clamp           | (2) Acorn Nut, 3/8-16                    |
| (1) Front Brace           | (2) Hex Head Cap Screw, 3/8-16 X 3"      |

#### INSTALLATION INSTRUCTIONS

**BEFORE PROCEEDING, READ INSTALLATION INSTRUCTIONS COMPLETELY**

1. Secure front support to floor stand post using two 3/8-16 X 3" hex head cap screws, 3/8-16, 4"ID X 3" deep U-bolt, and two 3/8-16 acorn nuts (see Figure 2).

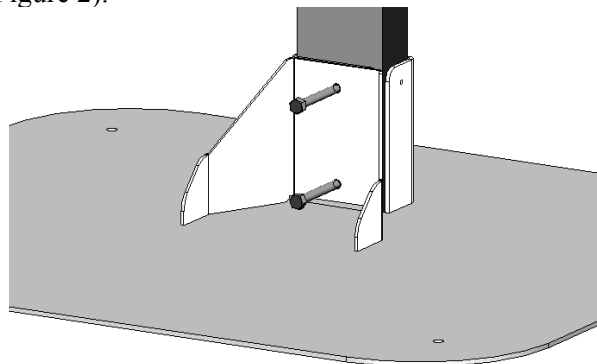


Figure 2. Front Support to Base



**CHIEF MANUFACTURING INC.**  
1-800-582-6480 952-894-6280 FAX 952-894-6918  
12800 HIGHWAY 13 SOUTH, SUITE 500  
SAVAGE, MINNESOTA 55378 USA

8800-000042  
2004 Chief Manufacturing  
[www.chiefmfg.com](http://www.chiefmfg.com)

03/04

2. At stand mounting location, install rear support to base using fasteners (not supplied) through rear support and stand base into floor (see Figure 3).
3. Install clevis on rear support using two 3/8-16 X 5/8" button head cap screws (see Figure 4)
4. Install rear brace on rear support and secure using two 3/8-16 X 5/8" button head cap screws (see Figure 5).
5. Install U-bolt on rear brace and secure using two 3/8-16 X 5/8" button head cap screws and two 3/8-16 Acorn nuts (see Figure 5).

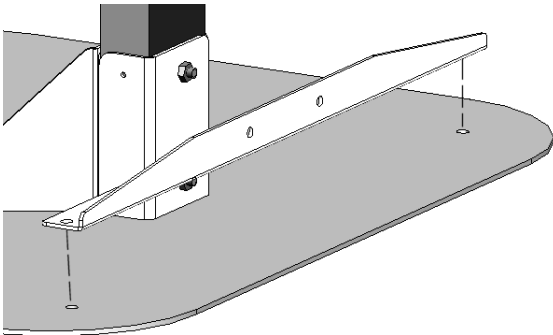


Figure 3. Rear Support Anchor Through Bases

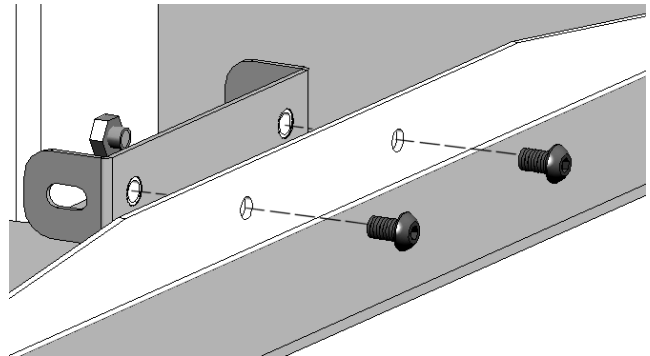


Figure 4. Clevis to Rear Support

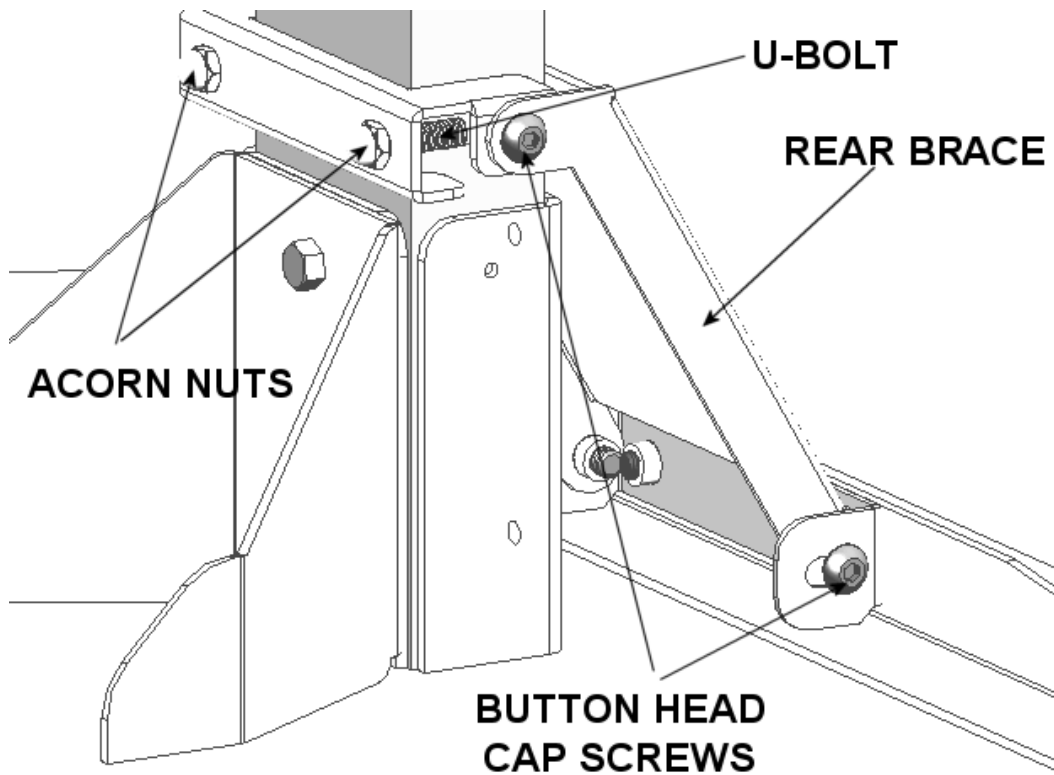


Figure 5. Install Rear Brace and U-Bolt