



INSTALLATION INSTRUCTIONS  
**PAC-137**  
**GTU-GSU SIDE CLAMP**

Prior to assembly, unpack carton completely and verify contents shown in Figure 1.  
If you are missing any of the following components, please contact Customer Service at 1-800/582-6480.

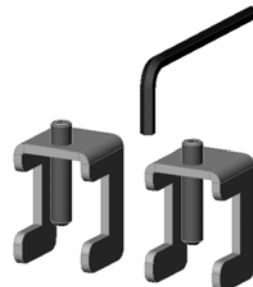


Figure 1

- (2) Side Clamps
- (1) 5/32" Allen Key

- (2) 1/4-20 x 1-1/4" Set Screw

**BEFORE PROCEEDING:** Read installation instructions completely.

**CAUTION!** PLASMA DISPLAYS ARE EXTREMELY FRAGILE.

1. Place one side clamp over the lip of the wall plate, making sure that the clamp is installed on the inside or the outside of the flat screen hook mechanism, depending on the spacing of the mounting pattern. Place the second clamp on the opposite side of the mount (See Figures 2 & 3).
2. Tighten both setscrews until they are seated against the flat portion of the mount (See Figure 4). Make sure that both flat screen hook mechanisms (Figure 3) are unable to move from side-to-side.

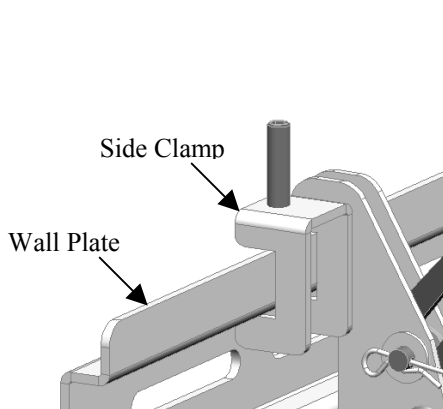


Figure 2

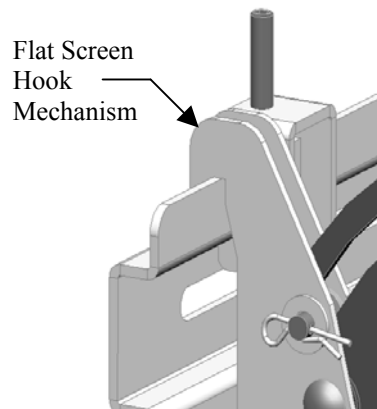


Figure 3

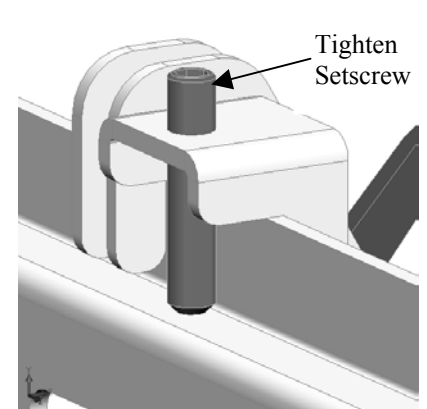


Figure 4