

INSTALLATION INSTRUCTIONS

LARGE FLAT SCREEN DUAL DISPLAY HEAD (PAC-141)

The PAC-141 Dual Display Head assembly is compatible with the (PFB-Series) dual post floor stand.

PARTS LIST

Unpack the shipping carton and check for the contents listed in Table 1 and shown in Figure 1.

Table 1. Parts List

REF	DESCRIPTION	QTY
10	PAC-141 Dual Display Head Assembly	1
20	Socket Head Set Screw, 5/16-18	4
30	Hex Key, 5/32"	1

PARTS

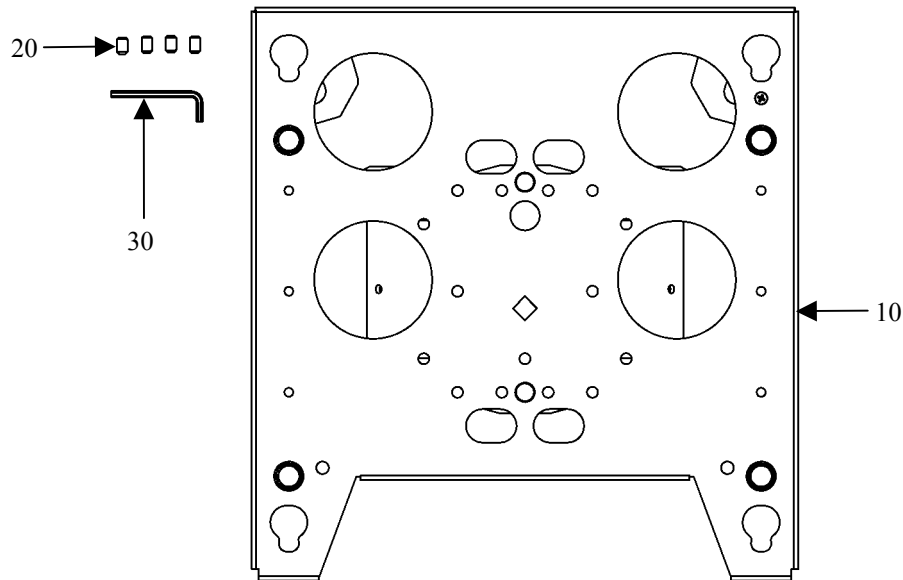


Figure 1. Parts

TOOLS REQUIRED FOR INSTALLATION

- 5/32" Hex wrench (provided)

NOTE: Other tools may be required depending on your method of installation.

INSTALLATION

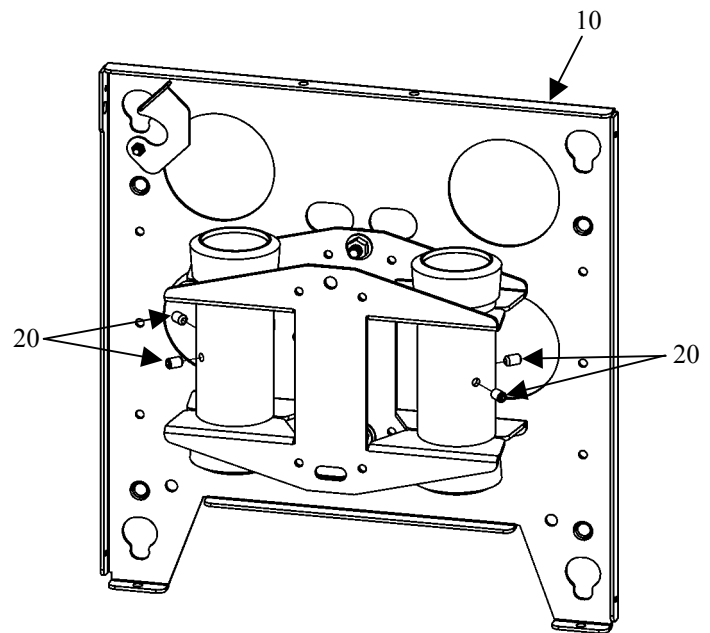
To install the PAC-141 on the mount, do the following:

Assemble the PAC-141

Assemble the PAC-141, as follows:

NOTE: Do not tighten the set screws at this time.

1. Using the 5/32" Hex wrench (30), insert one of the four 5/16-18 socket head set screws (20) into one of the four threaded holes in the screen bracket in back of the PAC-141 (10) as shown in Figure 2.
2. Repeat Step 1 to install the remaining three 5/16-18 socket head set screws (20) in the PAC-141 (10).



NOTE: In order to clearly show the set screw (20) locations, Figure 2 shows only one faceplate.

Figure 2. Assemble the PAC-141

Mount the PAC-141

Mount the PAC-141, as follows:

WARNING: Exercise care when mounting the PAC-141 over the dual poles to avoid personal injury.

1. Place the PAC-141 (10) over the dual post on the mount as shown in Figure 3.
2. Adjust the PAC-141 to the desired height on the mount.
3. Tighten the four 5/16-18 socket head set screws (20).

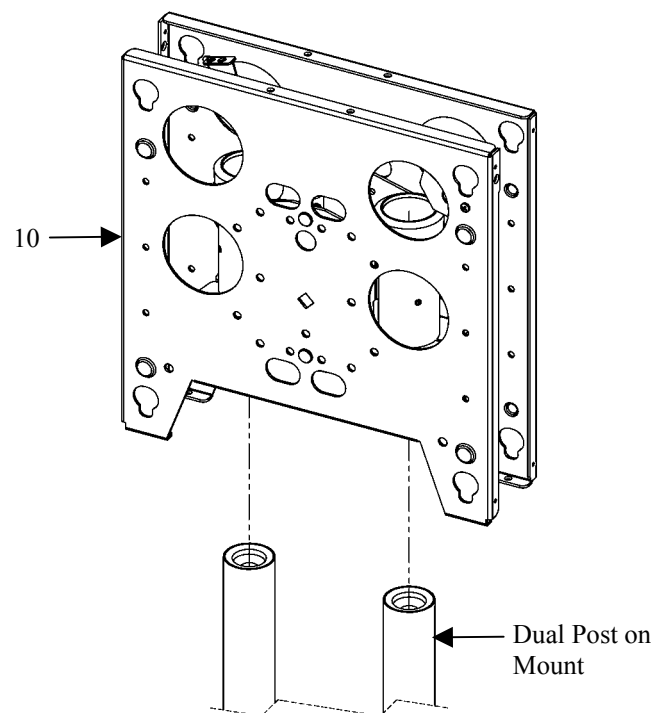


Figure 3. Mount the PAC-141