

INSTALLATION INSTRUCTIONS

LARGE FLAT SCREEN SINGLE DISPLAY HEAD (PAC-142)

The PAC-142 Single Display Head assembly is compatible with the dual pole floor stand and other products and accessories offered by Chief.

PARTS LIST

Unpack the shipping carton and check for the contents listed in Table 1 and shown in Figure 1.

Table 1. Parts List

REF	DESCRIPTION	QTY
10	PAC-142 Single Display Head Assembly	1
20	Socket Head Set Screw, 5/16-18	4
30	Allen Key, 5/32"	1

PARTS

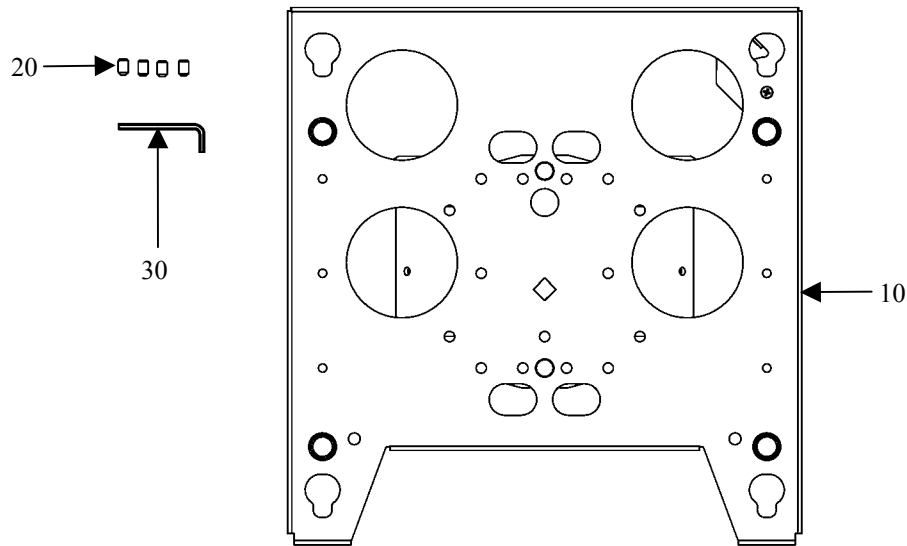


Figure 1. Parts

TOOLS REQUIRED FOR INSTALLATION

- 5/32" Allen wrench (provided)

NOTE: Other tools may be required depending on your method of installation.

INSTALLATION

To install the PAC-142 on the mount, do the following:

Assemble the PAC-142

Assemble the PAC-142, as follows:

NOTE: Do not tighten the set screws at this time.

1. Using the 5/32" Allen wrench (30), insert one of the four 5/16-18 socket head set screws (20) into one of the four threaded holes in the screen bracket in back of the PAC-142 (10) as shown in Figure 2.
2. Repeat Step 1 to install the remaining three 5/16-18 socket head set screws (20) in the PAC-142 (10).

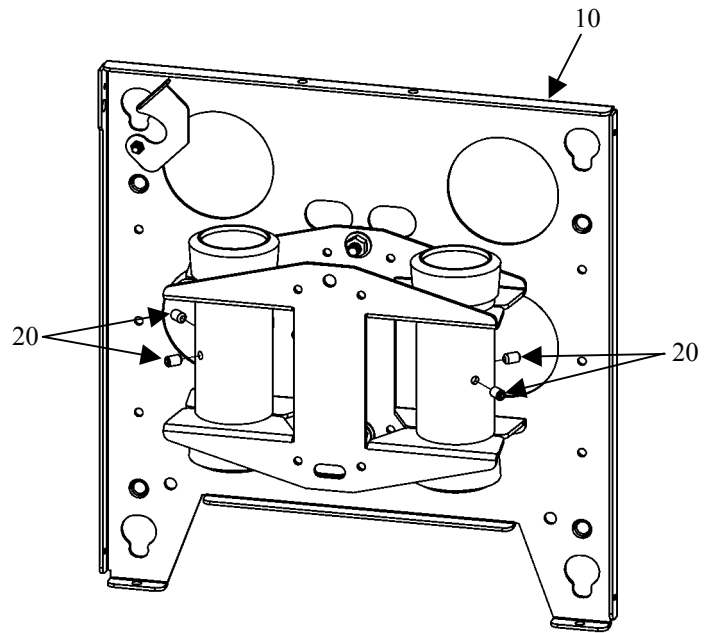


Figure 2. Assemble the PAC-142

Mount the PAC-142

Mount the PAC-142, as follows:

1. Place the PAC-142 (10) over the dual poles on the mount as shown in Figure 3.
2. Adjust the PAC-142 to the desired height on the mount.
3. Tighten the four 5/16-18 socket head set screws (20).

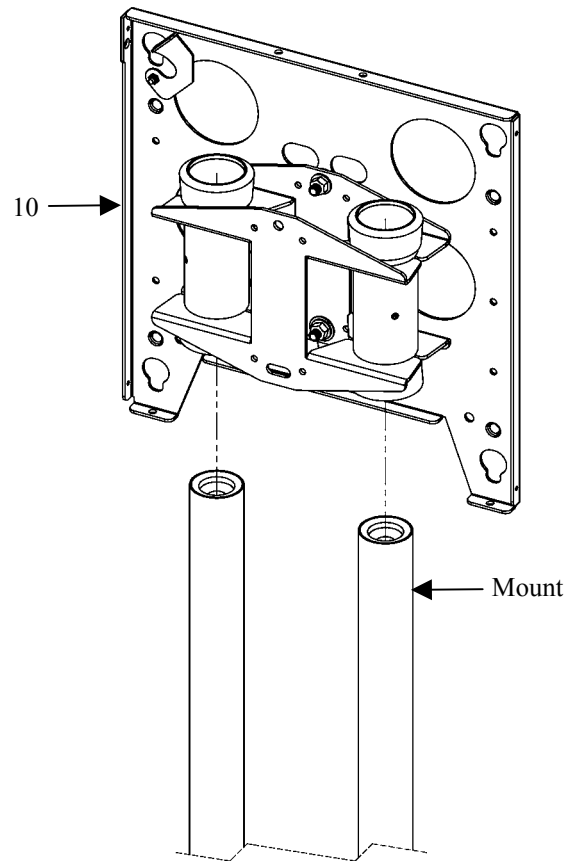


Figure 3. Mount the PAC-142