
INSTALLATION INSTRUCTIONS

SMALL FLAT SCREEN DUAL HEAD

PAC-143

The PAC-143 accessory is designed for use with the Chief dual post floor stand.

WARNING: IMPROPER INSTALLATION MAY RESULT IN SERIOUS PERSONAL INJURY!

When mounting Chief Manufacturing accessories, the structural system and mounting method **MUST** be capable of supporting 5 times the combined weight of the total installation. The total weight placed on the floor stand must not exceed 300 pounds (136.1 Kg).

Unpack and check contents:

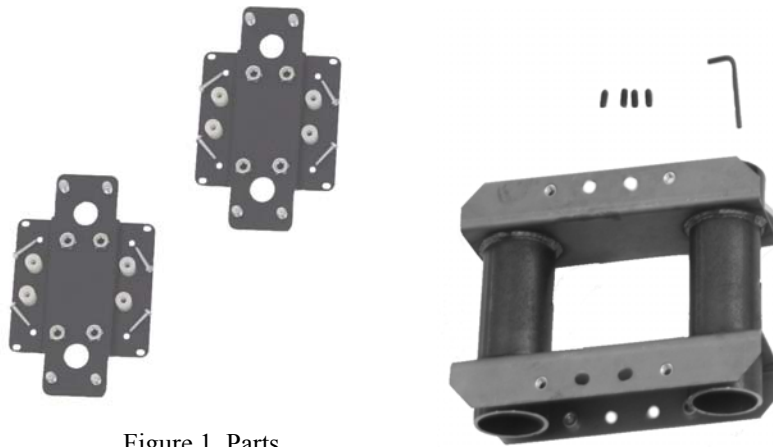


Figure 1. Parts

- (1) HEAD, Dual
- (2) BRACKET, 75mm and 100mm
- (8) SCREW, M4 X 10 PHCS
- (4) 5/16-18 X 3/8" Socket Head Set Screw

- (8) NUT, Nylock, 5/16-18
- (8) SCREW, M4 X 20 PHCS
- (8) SPACER, Nylon, .5 OD X .194 ID X .5"
- (1) 5/32" Allen Key

INSTALLATION INSTRUCTIONS

BEFORE PROCEEDING, READ INSTALLATION INSTRUCTIONS COMPLETELY

CAUTION! DISPLAYS ARE EXTREMELY FRAGILE.

1. For displays with a flat mounting surface, place adapter bracket over four mounting holes and secure using four M4 X 10 PHCS screws.
2. For displays with a recessed mounting surface, place four .5 OD X .194 ID X .5" Nylon spacers over four mounting holes (see Figure 2).



CHIEF MANUFACTURING INC.
1-800-582-6480 952-894-6280 FAX 952-894-6918
12800 HIGHWAY 13 SOUTH, SUITE 500
SAVAGE, MINNESOTA 55378 USA

8800-00020
2003 Chief Manufacturing
www.chiefmfg.com
11/03

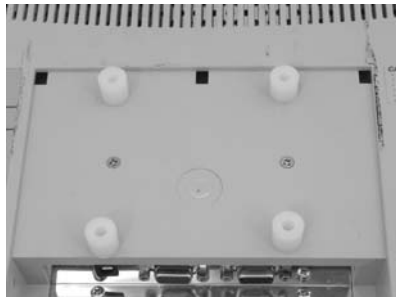


Figure 2

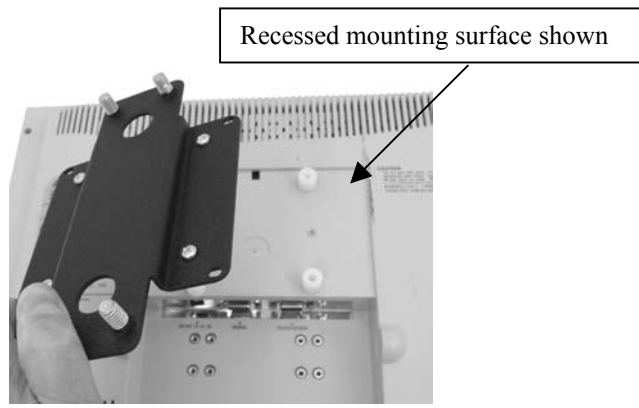


Figure 3

3. For displays with a recesses mounting surface, place adapter bracket over four spacers and secure using four M4 X 20 PHCS screws (see Figure 3).
4. Install the 75mm and 100mm bracket on the dual head and secure using four 5/16-18 Nylock nuts (see Figure 4).
5. Repeat Step 1 through 4 for second display
6. Install the dual head on the tubes of the stand.
7. Adjust the dual head to desired height.
8. Using four 5/16-18 X 3/8" socket head set screws, secure the dual head at desired height and tighten socket head set screws using 5/32" Allen wrench provided.

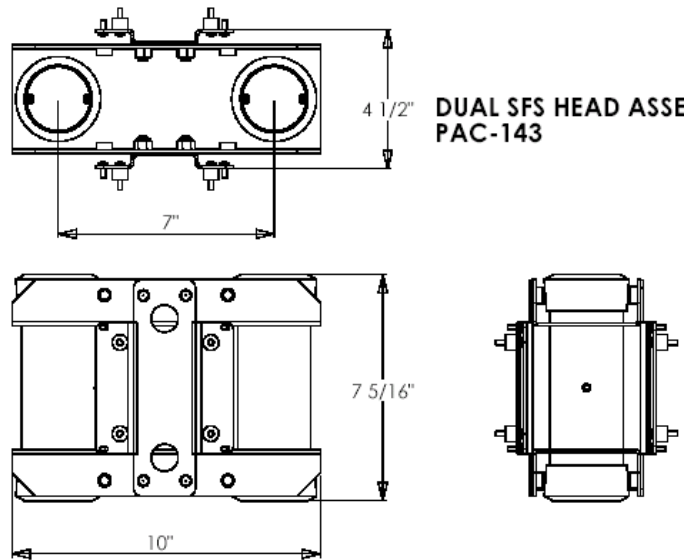


Figure 4