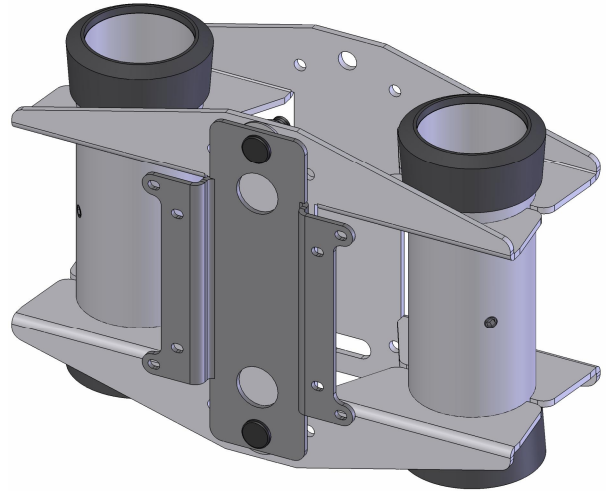

INSTALLATION INSTRUCTIONS

SMALL FLAT SCREEN SINGLE HEAD (PAC-144)

The PAC-144 single head accessory is designed for use with the Chief (PFB-Series) dual post floor stand and the (PTC Series) mobile cart.



PAC-144

BEFORE YOU BEGIN

- **CAUTION:** To prevent damage to your large flat screen and the single head assembly, which could affect or void the factory warranty, thoroughly study all instructions and illustrations before you begin to install the mount. Pay particular attention to the Warnings and Cautions in this document.
- If you have any questions about this installation, contact Chief Manufacturing at 1-800-582-6480.



IMPORTANT WARNINGS and CAUTIONS!

WARNING

A **WARNING** alerts you to the possibility of serious injury or death if you do not follow the instructions.

CAUTION

A **CAUTION** alerts you to the possibility of damage or destruction of equipment if you do not follow the corresponding instructions.

- **WARNING:** You must use proper attaching hardware and installation procedures. Failure to use proper attaching hardware and installation procedures may result in equipment damage or serious personal injury.
- **WARNING:** Be aware of the potential for personal injury or damage to the display if the unit is not adequately mounted.
- **CAUTION** Inspect the unit for shipping damage before you begin the installation.

CONTENTS

TOOLS REQUIRED FOR INSTALLATION..... 3
 PARTS LIST 3
 PARTS 3
 INSTALLATION..... 4
 Flush Mount the Adapter Bracket 4
 Recess Mount the Adapter Bracket to Display..... 4
 Mount Single Head on Dual Post 5
 Mount the Display 5

TOOLS REQUIRED FOR INSTALLATION

- 5/32” Hex wrench (provided)
- 3/8” socket wrench
- Phillips screwdriver

NOTE: Other tools may be required depending on your method of installation.

PARTS LIST

Unpack the shipping carton and check for the contents listed in Table 1 and shown in Figure 1.

Table 1. Parts List

REF	DESCRIPTION	QTY	REF	DESCRIPTION	QTY
10	HEAD, Single	1	70	NUT, Lock, 3/8-16	2
20	BRACKET, 75mm and 100mm	1	80	SCREW, M4 x 20, PHCS	4
30	SCREW, M4 x 12	4	90	SPACER, Nylon, .5 OD x .194 ID x 3/8	4
40	5/16-18, Socket Head Set Screw	4	100	Hex Key, 5/32”	1
50	SPACER, .5 x .194 x .75	4	110	SCREW, M4 x 30	4
60	WASHER, Nylon	3	120	WASHER, Steel	2

PARTS

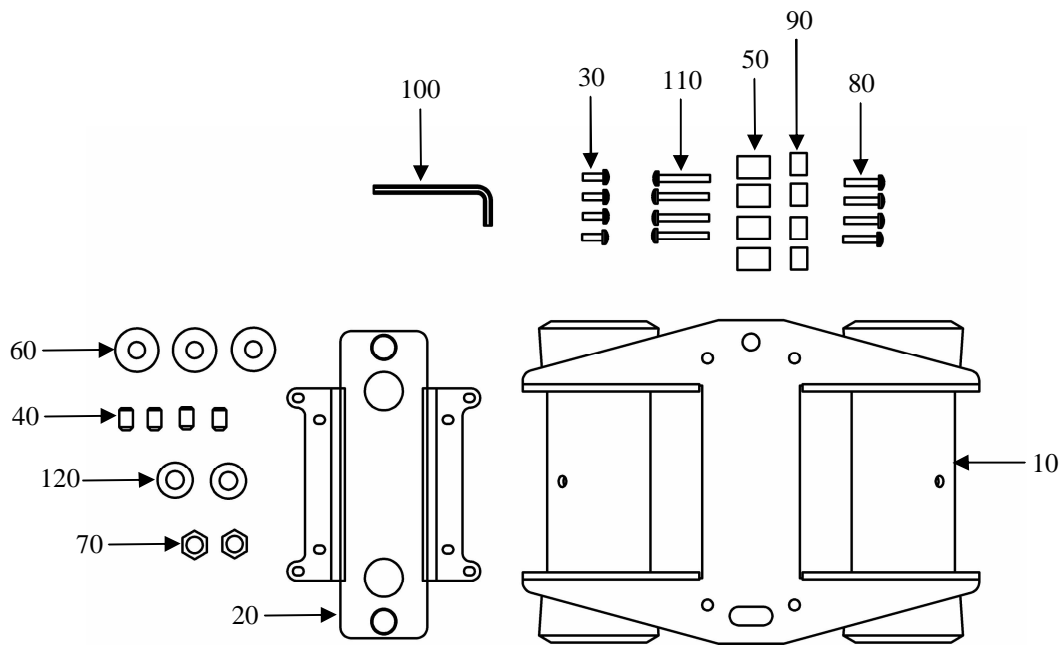


Figure 1. Parts

INSTALLATION

Depending on your application, select one of the following procedures to mount the adapter bracket (20) on the back of the display:

- Flush Mount the Adapter Bracket
- Recess Mount the Adapter Bracket

Flush Mount the Adapter Bracket

Attach the bracket to the small flat panel, as follows:

1. Place adapter bracket (20) over four mounting holes on the display. See Figure 2.
2. Secure the adapter bracket (10) onto the display using four M4 x 12 pan head cap screws (30).

Recess Mount the Adapter Bracket to Display

Depending on the depth of the recess on the back of the display, do the following:

1. Place four nylon spacers (50 or 90) over the four mounting holes on the display. See Figure 3.
2. Place adapter bracket (20) over the four nylon spacers (50 or 90) placed in Step 1.

NOTE: Combine the M4 x 20 screws (80) with the 3/8" spacers (90). Or, combine the M4 x 30 screws (110) with the 3/4" spacers (50).

3. Secure the adapter bracket (20) onto the display using four pan head cap screws (80 or 110)

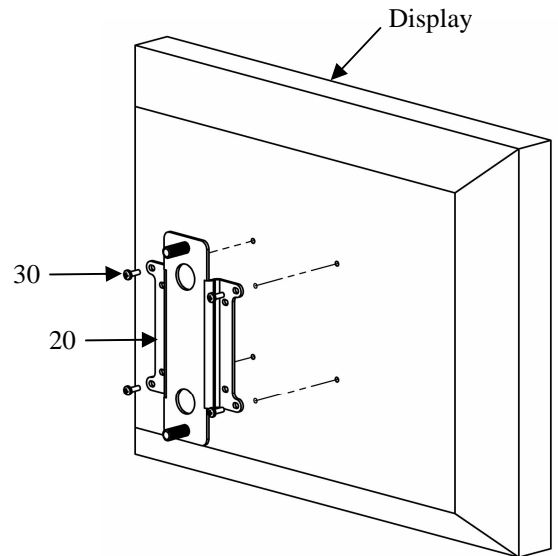


Figure 2. Flush Mount the Adapter Bracket

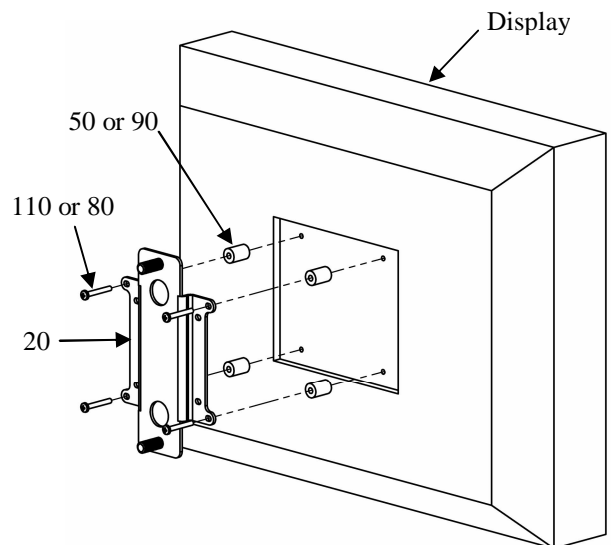


Figure 3. Recess Mount the Adapter Bracket

Mount Single Head on Dual Post

Mount the PAC-144, as follows:

1. Place the single head (10) over the dual post on the mount as shown in Figure 4.
2. Adjust the single head (10) to the desired height on the mount.
3. Tighten the four 5/16-18 hex head set screws (40).

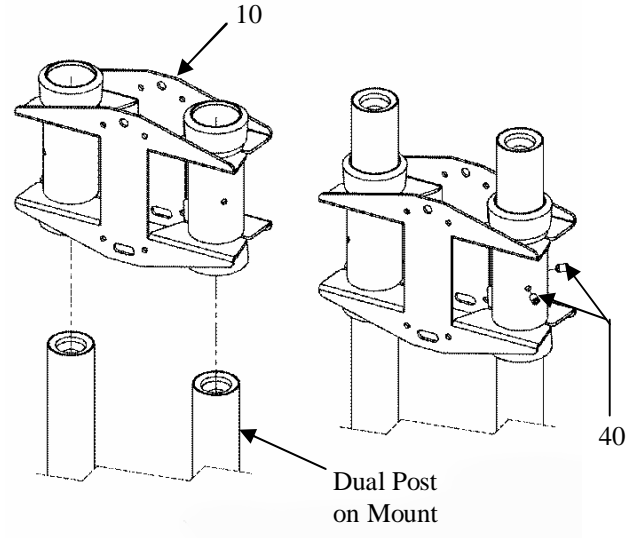


Figure 4. Mount Single Head on Dual Post

Mount the Display

Mount the Display, as follows:

1. Place two flat nylon washers (60) over the two threaded studs on the adapter bracket (20). See Figure 5.

WARNING: Displays are extremely fragile. Exercise care to avoid personal injury and equipment damage.

2. Attach the adapter bracket (and display) to the single head (10) assembly as follows:
 - a. Insert the threaded studs on the adapter bracket (20) through the mounting holes on the adapter bracket (10).
 - b. Secure top of the adapter bracket (20) using one steel washer (120) and one locknut (70).
 - c. Secure bottom of the adapter bracket (20) using one flat nylon washer (60), one steel washer (120), and one locknut (70).
3. If needed, loosen the readjust the display on the dual post to the desired height.
4. Tighten the lock nuts (70). See Figure 6.

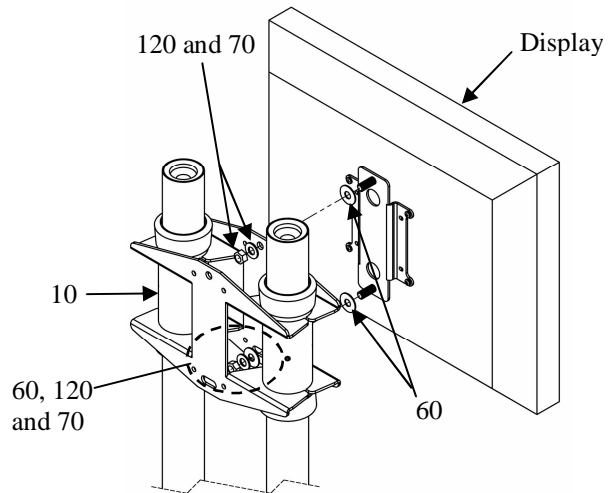


Figure 5. Mount Display

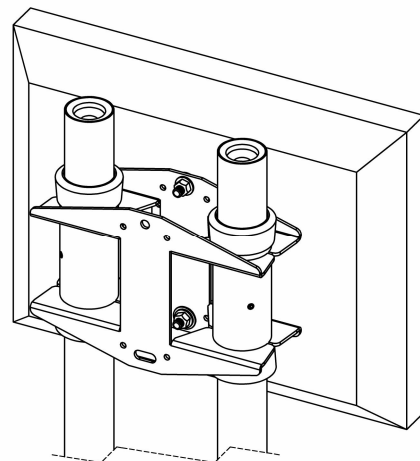


Figure 6. Re-adjust Display Height and Tighten Lock Nuts