

INSTALLATION INSTRUCTIONS

BACK-TO-BACK BASE ASSEMBLY

PAC-147

The PAC-147 accessory is designed for use with the Chief dual post floor stand.

WARNING: IMPROPER INSTALLATION MAY RESULT IN SERIOUS PERSONAL INJURY!

When mounting Chief Manufacturing accessories, the structural system and mounting method **MUST** be capable of supporting 5 times the combined weight of the total installation. The total weight placed on the floor stand must not exceed 300 pounds (136.1 Kg).

Unpack and check contents:

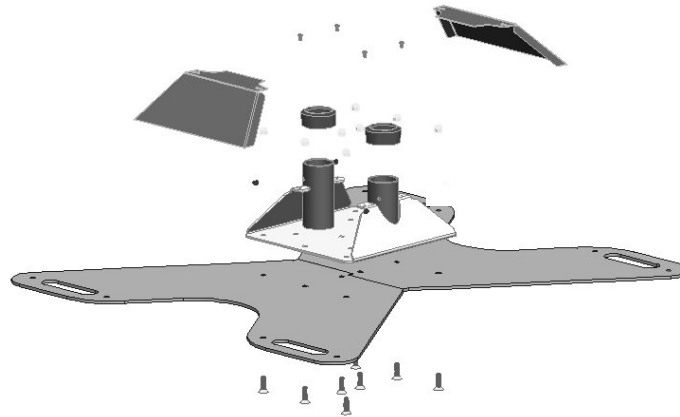


Figure 1. Parts

- | | |
|--------------------------------------|---|
| (2) PLATE, dual base | (8) NUT, Nylock, 3/8-16 |
| (1) SUPPORT, center | (4) SETSCREW, 516-18X3/8" |
| (2) COVER | (4) SCREW, 10-24X3/8" Phillips pan head |
| (8) SCREW, cap, flat head, 3/8-16X1" | (1) KEY, Allen, 7/32" |
| | (1) KEY, Allen, 5/32" |

INSTALLATION INSTRUCTIONS

BEFORE PROCEEDING, READ INSTALLATION INSTRUCTIONS COMPLETELY

1. Secure front and back dual base plates to floor stand base using eight flat head cap screws and Nylock nuts (see Figure 2 and Figure 3).

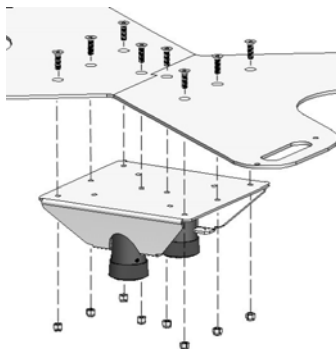


Figure 2. Plates to Base

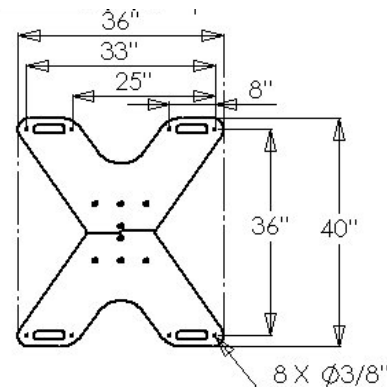


Figure 3. Dimensions



CHIEF MANUFACTURING INC.
1-800-582-6480 952-894-6280 FAX 952-894-6918
12800 HIGHWAY 13 SOUTH, SUITE 500
SAVAGE, MINNESOTA 55378 USA

8800-00024
2004 Chief Manufacturing
www.chiefmfg.com
02/04

2. Install four 5/16-18 X 3/8 socket head set screws (see Figure 4).
3. Install tubes and secure tubes using four socket head set screws (see Figure 5)
4. Install two base covers and secure using four 10-24 X 3/8"Phillips screws (see Figure 6).

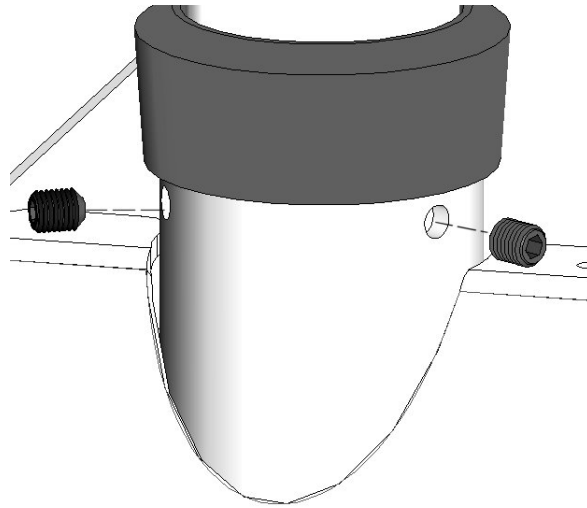


Figure 4. Install setscrews

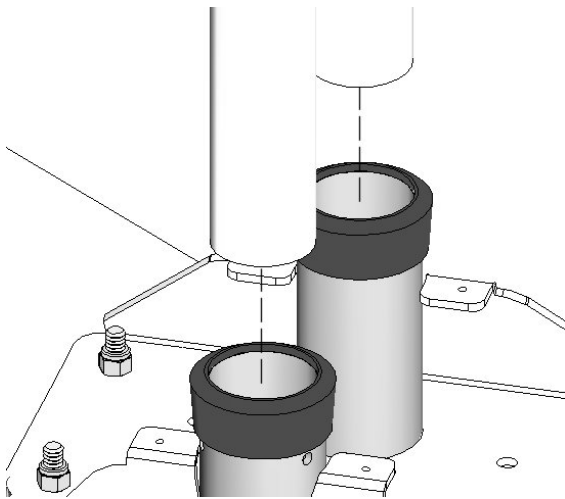


Figure 5. Install Tubes

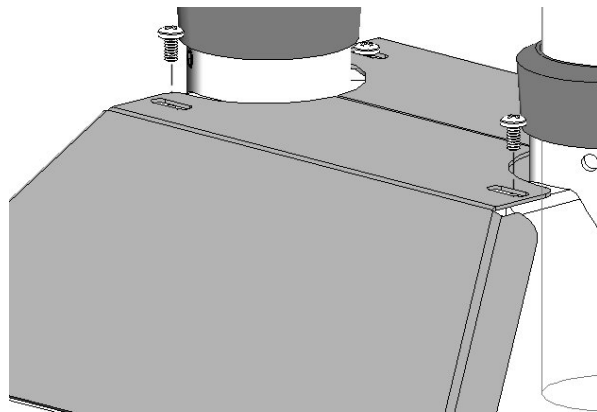


Figure 6. Install Base Covers