

---

# INSTALLATION INSTRUCTIONS

---

## BASE ASSEMBLY

### PAC-148

The PAC-148 accessory is designed for use with the Chief dual cart and post floor stand.

**WARNING: IMPROPER INSTALLATION MAY RESULT IN SERIOUS PERSONAL INJURY!**

When mounting Chief Manufacturing accessories, the structural system and mounting method **MUST** be capable of supporting 5 times the combined weight of the total installation.

The total weight placed on the cart must not exceed 150 pounds (68 Kg).

Unpack and check contents:

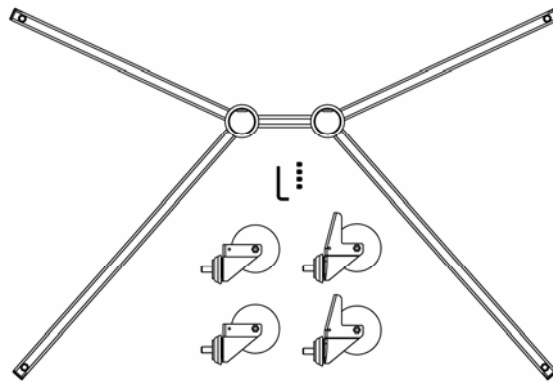


Figure 1. Parts

(1) BASE assembly  
(4) CASTER

(4) SETSCREW, 516-18X3/8"  
(1) KEY, Allen, 5/32"

#### INSTALLATION INSTRUCTIONS

#### BEFORE PROCEEDING, READ INSTALLATION INSTRUCTIONS COMPLETELY

1. Install four casters See Figure 2).

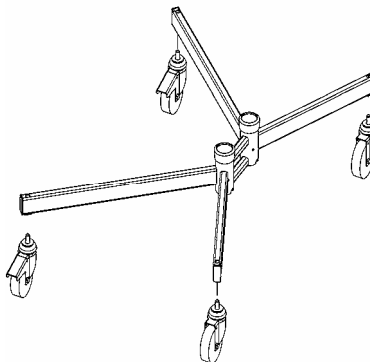


Figure 2. Install Casters

2. Install upright poles (see Figure 3).

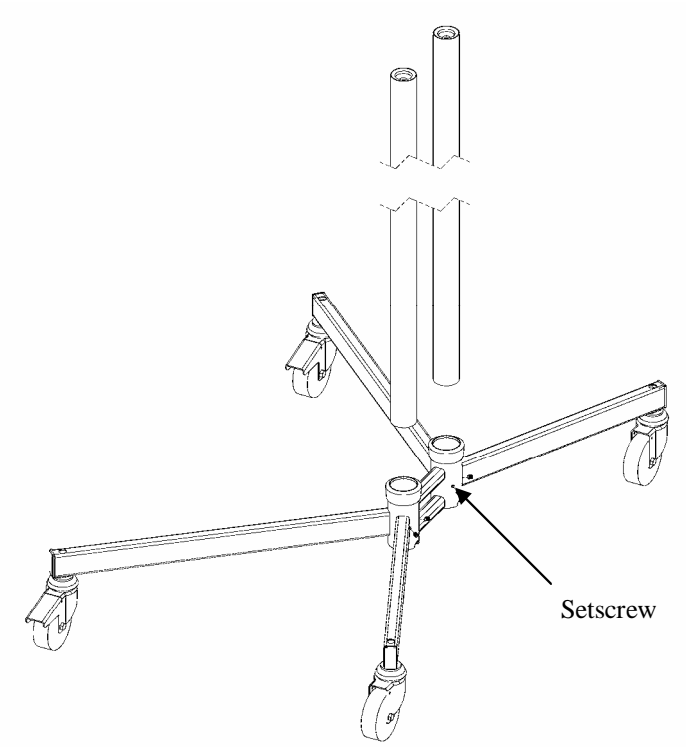


Figure 3. Install Poles

3. Insert setscrews and tighten to secure upright poles.