

---

# INSTALLATION INSTRUCTIONS

---

## LARGE FLAT SCREEN SINGLE HEAD WITH TILT

### PAC-152

The PAC-152 accessory is designed for use with the Chief dual post floor stand and PTC mobile cart.

**WARNING: IMPROPER INSTALLATION MAY RESULT IN SERIOUS PERSONAL INJURY!**  
When mounting Chief Manufacturing accessories, the structural system and mounting method **MUST** be capable of supporting 5 times the combined weight of the total installation.

Unpack and check contents:

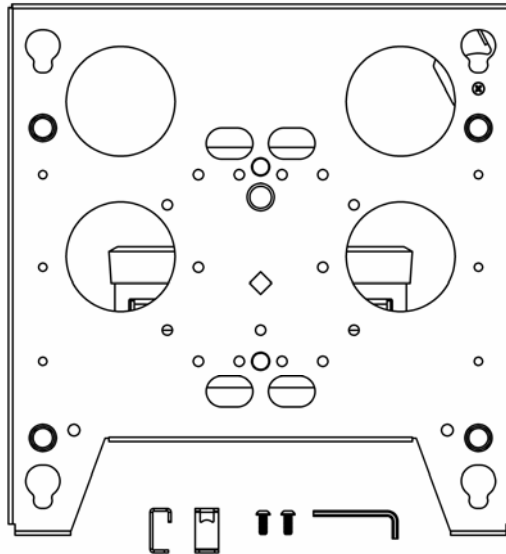


Figure 1. Parts

- (1) Tilting Head Assembly
- (2) Q-Clamp

- (2) 1/4-20x5/8" Button Head Cap Screw
- (1) 5/32" Allen Key

#### INSTALLATION INSTRUCTIONS

1. Remove single head assembly from the dual post floor stand.
2. Install the tilting head on the tubes of the stand (see Figure 2).

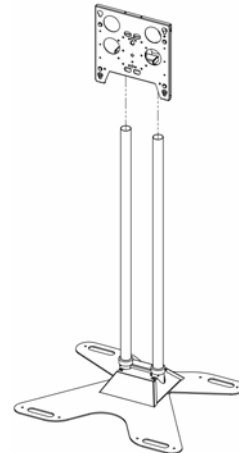


Figure 2. Install Tilting Head

3. Secure the tilting head at the desired height a using set screws (see Figure 3).
4. Install display on stand.
5. Secure display using Q-clamps (see Figure 4)

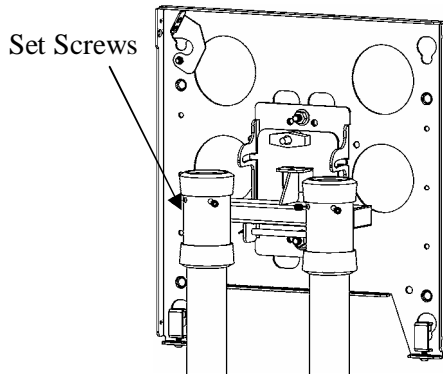


Figure 3. Secure at Height

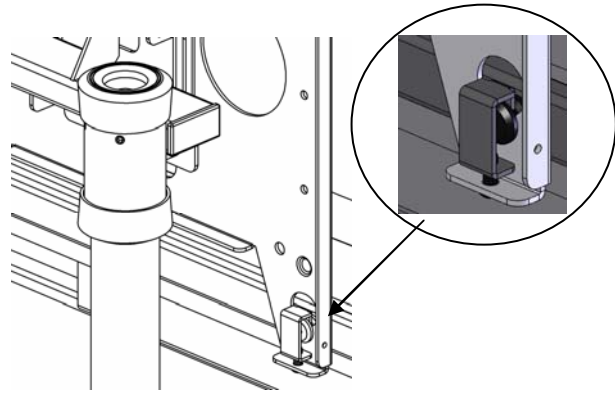


Figure 4. Q-clamp

#### ADJUSTMENT INSTRUCTIONS

1. Adjust roll by loosening rotational tilt tension adjustment nut, set to desired angle and tighten nut (see Figure 5).
2. Adjust tilt by turning the T-knob handle until desired angle is achieved.

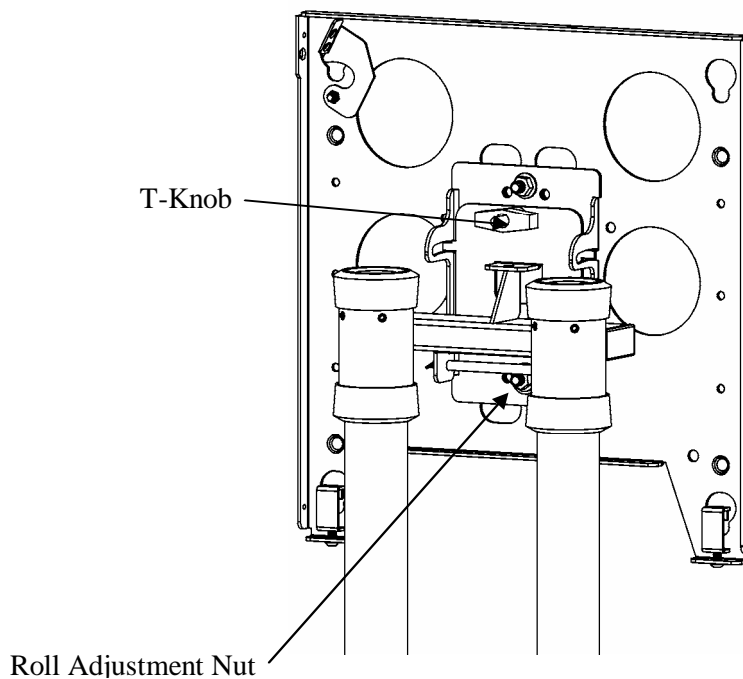


Figure 5. Roll and Tilt Adjustment