

# INSTALLATION INSTRUCTIONS

## Small Flat Panel Bracket – Floor Stand (PAC-160)

The PAC-160 Floor Stand Bracket is compatible with small flat panels and other products and accessories offered by Chief.

### PARTS

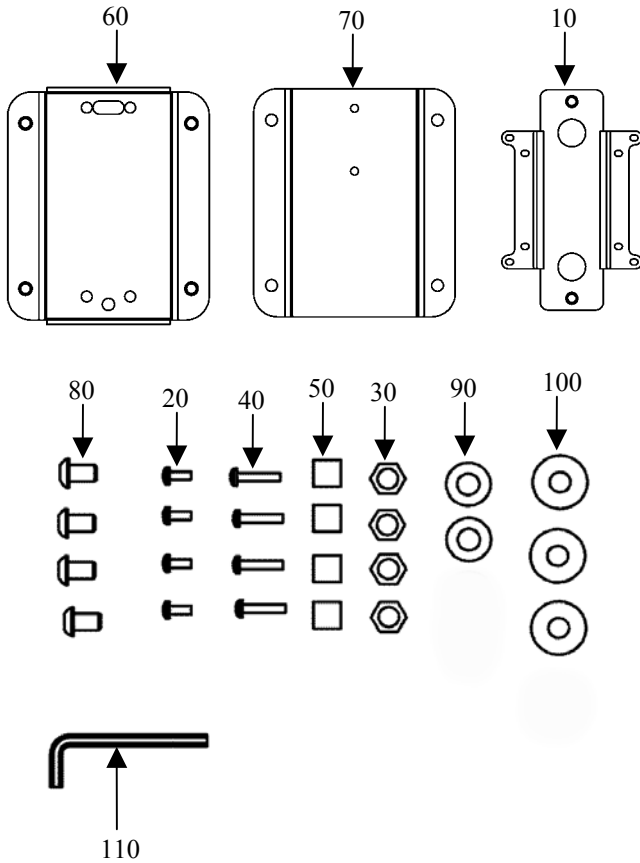


Figure 1. Parts

### PARTS LIST

Unpack the shipping carton and check for the contents listed in Table 1 and shown in Figure 1.

Table 1. Parts List

REF	DESCRIPTION	QTY
10	BRACKET, 75mm and 100mm	1
20	SCREW, pan head cap M4 x 10	4
30	LOCKNUT, 5/16-18	4
40	SCREW, pan head cap M4 x 20	4
50	SPACER, Nylon, .5 OD x .194 ID x 5"	4
60	PLATE, mounting, front, PFS	1
70	PLATE, mounting, back, PFS	1
80	SCREW, button head cap, 5/16 x 1/2"	4
90	WASHER, flat, 5/16"	2
100	WASHER, Nylon	3
110	KEY, Allen, 3/16"	1

**TOOLS REQUIRED FOR INSTALLATION**

- 5/32” Allen wrench (provided)
- 5/16” socket wrench
- Phillips screwdriver

**NOTE:** Other tools may be required depending on your method of installation.

**INSTALLATION**

To install the PAC-160, do the following:

**Flush Mount the Adapter Bracket to Display**

Attach the bracket to the small flat panel, as follows:

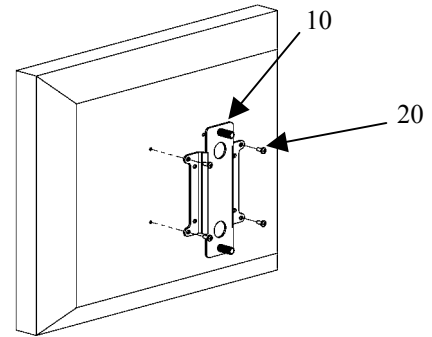
1. Place adapter bracket (10) over four mounting holes on the display. See Figure 2.
2. Secure the adapter bracket (10) onto the display using four M4 x 10 pan head cap screws (20).
3. Place two flat nylon washers (100) over the two threaded studs on the adapter bracket (10). See Figure 3.
4. Secure front mounting plate (60) as follows:
  - a. Place the front mounting plate (60) on top of the adapter bracket (10).
  - b. Secure top of the front mounting plate (60) using one washer (90) and one locknut (30).
  - c. Secure bottom of the front mounting plate (60) using one washer (90), one flat nylon washer (100), and one locknut (30).

**Recess Mount the Adapter Bracket to Display**

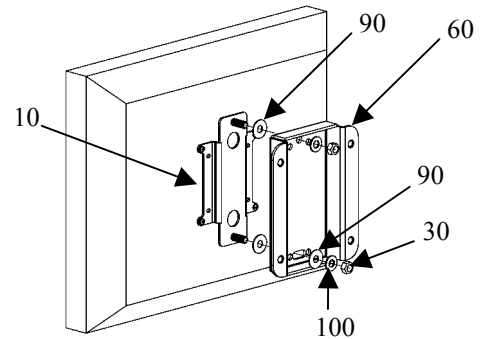
1. Place four Nylon spacers (50) over the four mounting holes on the display. See Figure 4.
2. Place adapter bracket (10) over the four Nylon spacers (50) placed in Step 1.
3. Secure the adapter bracket (10) onto the display using four M4 x 20 pan head cap screws (20).
4. Refer to the “*Flush Mount the Adapter Bracket to Display*” procedure and perform Steps 3 and 4 to install the adapter bracket (10) onto the display.

**Mount Display on Floor Stand**

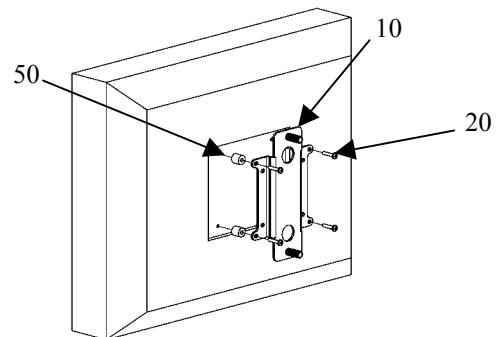
1. With the aide of another person, mount the display on the floor stand, attaching the back mounting plate (60) to the front mounting plate (70) using four button head cap screws (80) as shown in Figure 5.
2. Adjust the display on the floor stand to the desired height. Tighten the cap screws (80).



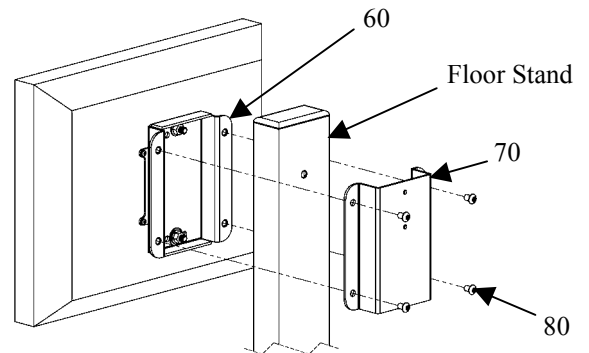
**Figure 2. Flush Mount Adapter Bracket**



**Figure 3. Attach Front Mounting Plate to Adapter Bracket**



**Figure 4. Recess Mount Adapter Bracket Using Spacers**



**Figure 5. Mount Display on Floor Stand**