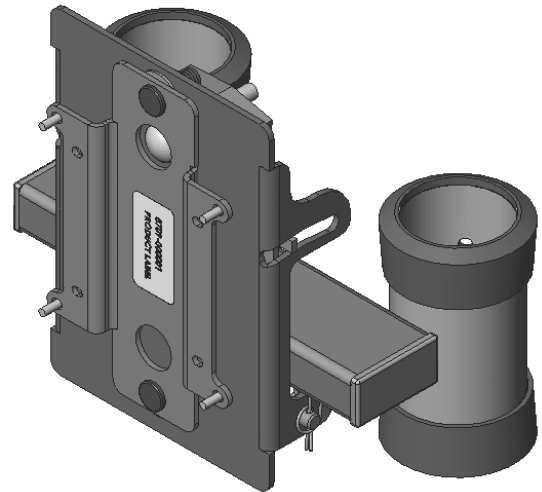

INSTALLATION INSTRUCTIONS

Yoke Adjustment Assembly

Model PAC-165

The PAC-165 accessory is designed for use with the Chief PTC series cart and PFB series floor stand.



BEFORE YOU BEGIN

⚠ CAUTION!

To prevent damage to the components, which could affect or void the Factory warranty, and to the equipment that will be attached to it, thoroughly read and understand all instructions and illustrations before you begin the installation.

- If you have any questions about this installation, contact Chief Manufacturing at 1-800-582-6480.

INTRODUCTION

TOOLS REQUIRED FOR INSTALLATION

- Phillips screwdrivers
- 5/32" Allen Wrench (provided)

INSPECT PARTS BEFORE ASSEMBLY

Carefully inspect all components for shipping damage . If damage is apparent, call your carrier claims agent and do not continue with installation until the carrier has reviewed the damage.(see Figure 1)

Table 1: Parts

Ref.	Description	QTY
10	YOKE, assembly	1
20	ADAPTER, Display Interface	1
30	NUT, Locking, 3/8"	2
40	WASHER, Flat, 3/8"	2
50	SPACER, Nylon, 3/8"	4
60	SPACER, Nylon, 3/4"	4
70	SCREW, Pan head, M4 x 12mm	4
80	SCREW, Pan head, M4 x 20mm	4
90	SETSCREW, 516-18 x 3/8"	4
100	KEY, Allen, 5/32"	1
110	SCREW, Pan Head, M4 x 30mm	4
120	WASHER, Nylon, Large	3

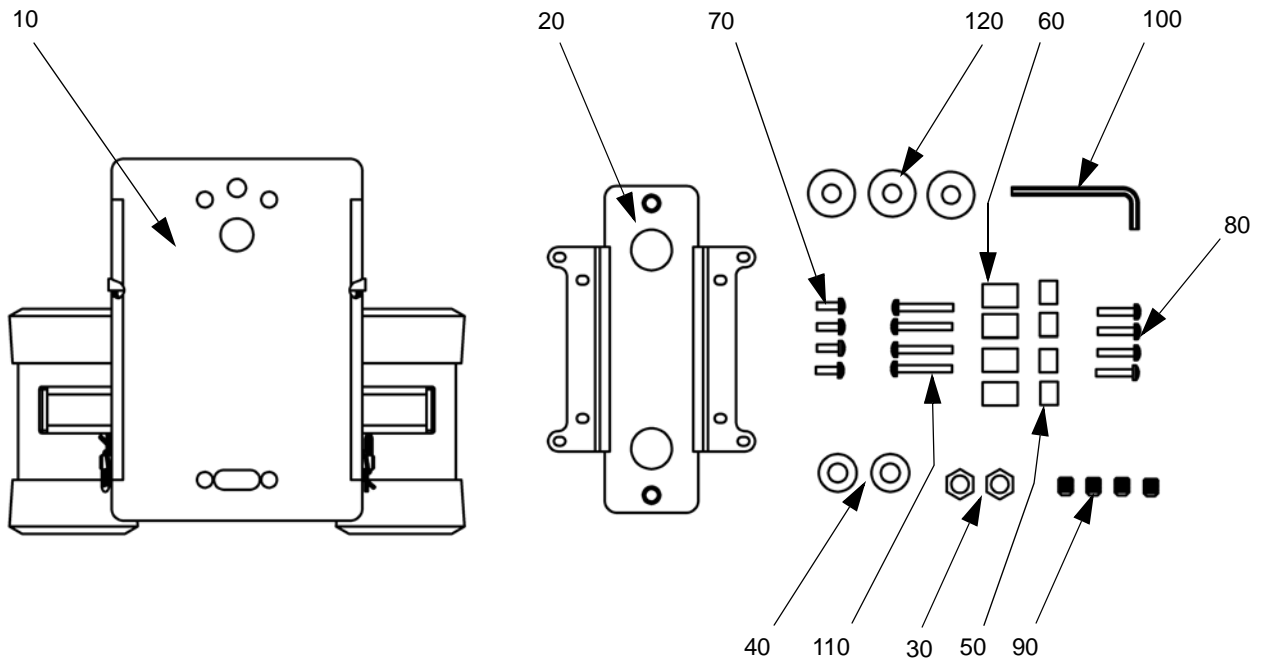


Figure 1: Parts

INSTALLATION

Yoke Assembly Installation

1. Install yoke adjustment assembly (10) on tubes of stand or cart. (see Figure 2)
2. Position yoke adjustment assembly (10) at desired height. (see Figure 3)
3. Secure yoke adjustment assembly (10) to stand of cart by tightening four 5/16-18 x 3/8" socket head set screws (90) using 5/32" Allen wrench (100) provided. (see Figure 3)

Display Interface Installation

Flush Mount

1. Place display face down on a clean dry surface.
2. Position interface bracket (20) over display back and align mounting holes with mounting holes in display. (see Figure 4)
3. Secure interface bracket (20) to display using four M4 x 12mm PHCS screws (70). (see Figure 4)

Recessed Mount

1. Place display face down on a clean dry surface. (see Figure 5)
2. Position four 3/8" Nylon spacers over four mounting holes in display back. (see Figure 5)
3. Position interface bracket (20) over four 3/8" Nylon spacers (50) and secure interface bracket (20) to display using four M4 x 20mm PHCS screws (80). (see Figure 5)

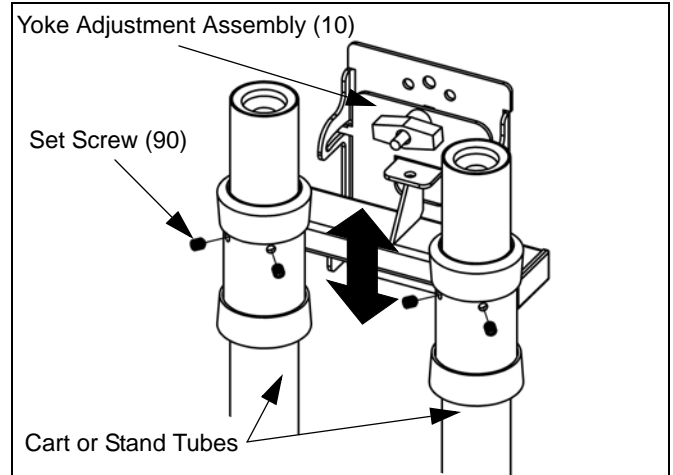


Figure 3: Adjust Height and Secure Yoke

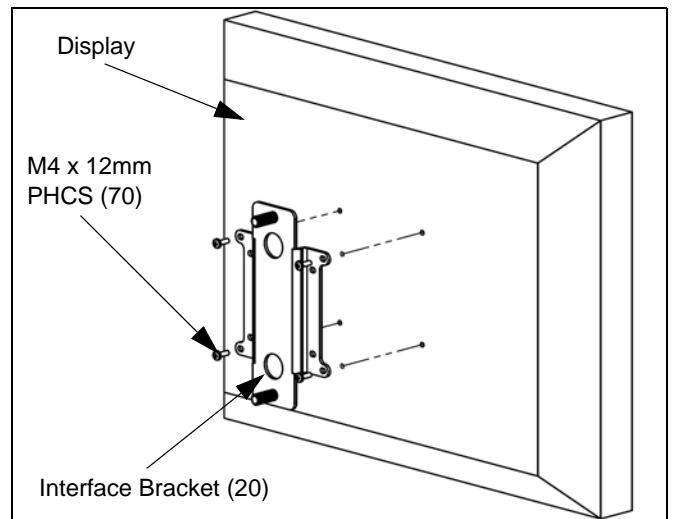


Figure 4: Flush Mount Interface Installation

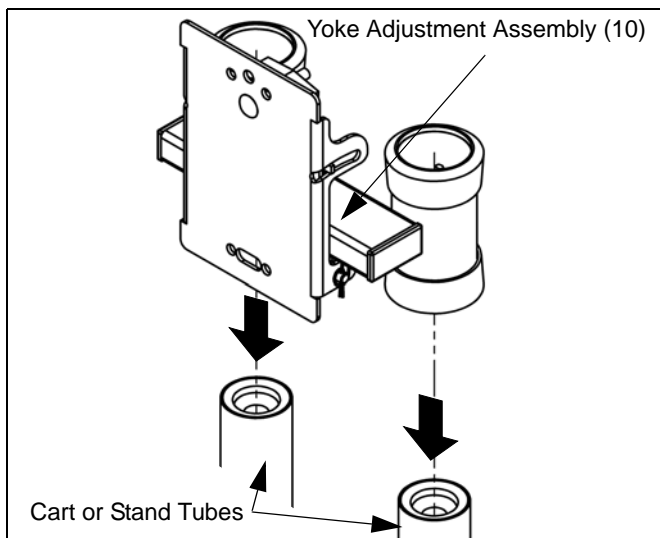


Figure 2: Install Yoke Adjustment Assembly

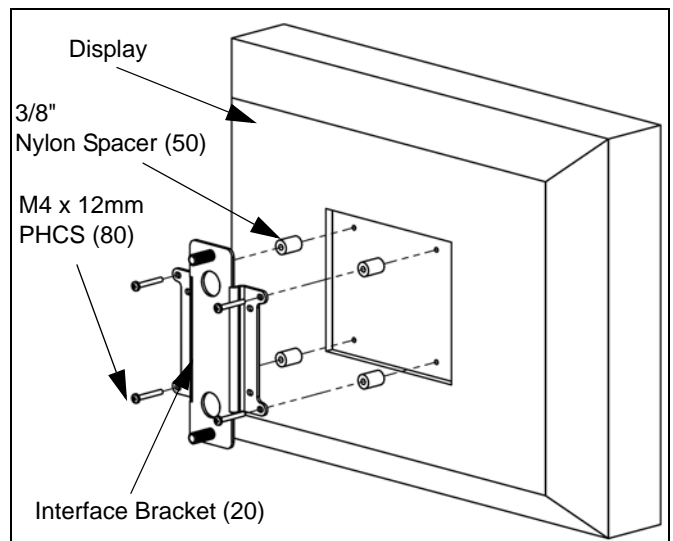


Figure 5: Recessed Mount Interface Installation

Mount Display To Yoke Adjustment Assembly

⚠ WARNING!

ALWAYS use two people and follow proper lifting techniques when mounting the display.

1. Using two people, lift and position display in front of mounted yoke adjustment assembly (10). (see Figure 6)
2. Assemble two large nylon washers (120) to upper and lower mounting studs on display interface bracket (20).
3. Align upper and lower mounting studs on interface bracket (20) with center holes in face plate of yoke adjustment assembly (10). (see Figure 6)
4. Install display on yoke adjustment assembly (10) by sliding upper and lower mounting studs on interface bracket (20) into center holes in face plate of yoke adjustment assembly (10). (see Figure 6)
5. Secure display to yoke adjustment assembly (10) using one large nylon washer (120), two 3/8" flat washers (40) and two 3/8" locking nuts (30). (see Figure 6)

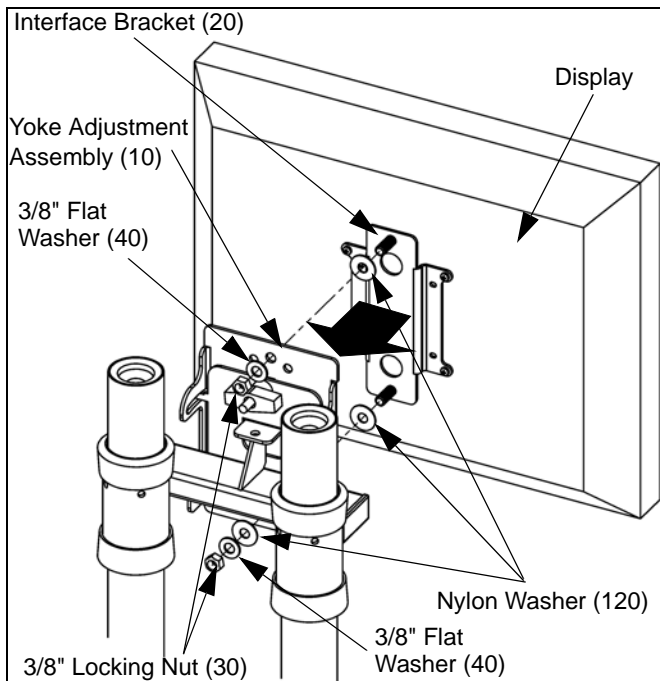


Figure 6: Mount Display

ADJUSTMENTS

Pitch (Tilt) Adjustment

The yoke adjustment assembly allows the display to be adjusted to a maximum of 15 deg. downward tilt and 5 deg. upward tilt. (see Figure 7)

To adjust display pitch (tilt) position:

1. Turn tilt adjustment knob to left to tilt display down or right to tilt display up. (see Figure 8)

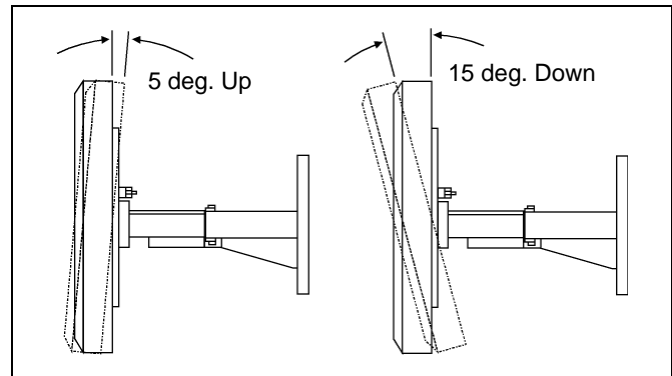


Figure 7: Pitch Adjustments

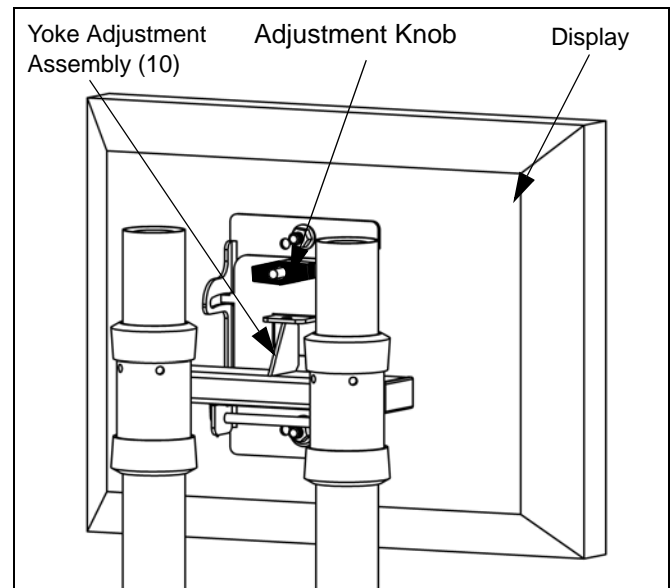


Figure 8: Adjust Pitch

Roll Adjustment

The yoke adjustment assembly allows display roll to be adjusted to a maximum of 2 deg. in either direction for the purpose of leveling the display. (see Figure 9)

To adjust display roll:

1. Loosen two adjustment nuts on back of yoke adjustment assembly.
2. Level display by moving display bottom either left or right.
3. Tighten two adjustment nuts.

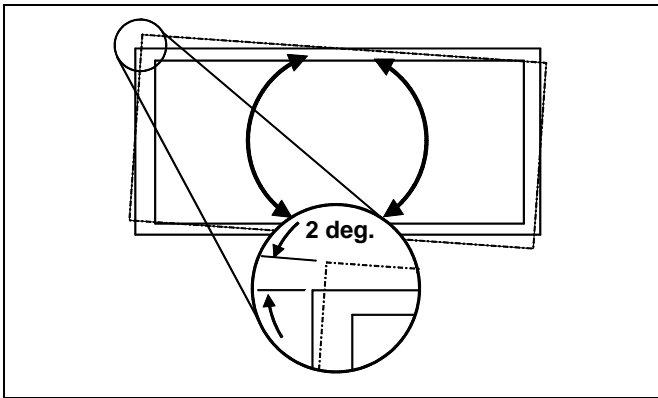


Figure 9: Roll Adjustments

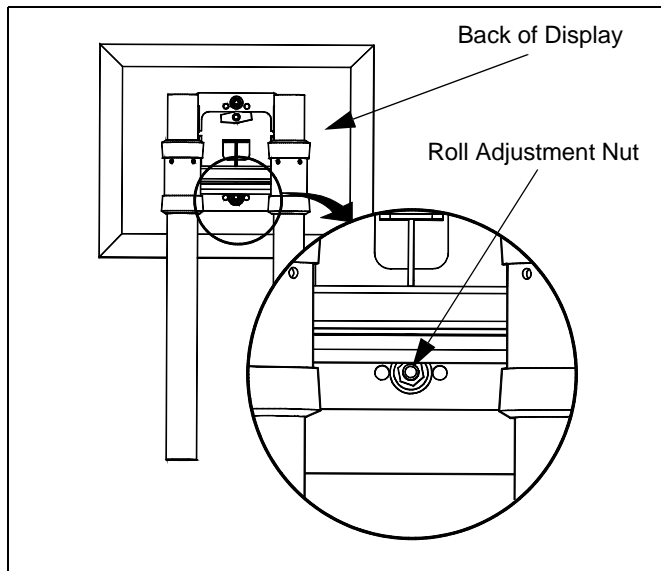


Figure 10: Roll Adjustment Nut Location

