



INSTALLATION INSTRUCTIONS

PAC-250

CPU INTERFACE ADAPTER

Prior to assembly, unpack carton completely and verify contents.
If you are missing any of the following components, please contact Customer Service at 1-800/582-6480

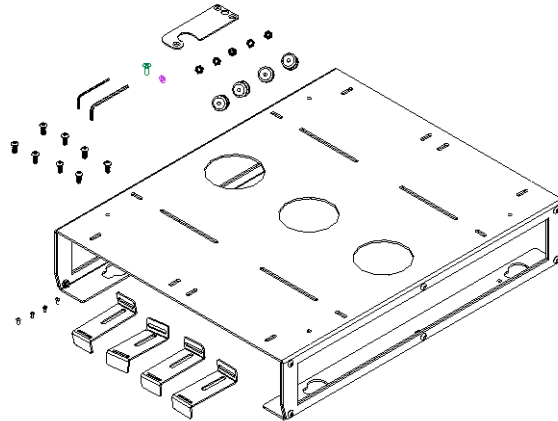


Figure 1

- | | |
|--------------------------------------|---|
| (1) Interface Adapter | (4) CPU Brackets |
| (4) Mounting Buttons-Tapped 10-24 | (8) 10-24 x .5" Button Head Cap Screws |
| (5) 10-24 Nylock Nuts | (4) M3 x 6mm Button Head Cap Screws |
| (1) Latching Flag | (1) .38 OD x .194 ID x .03 Nylon Washer |
| (10-24 x .5 Flat Head Undercut Screw | (1) M2 Allen Key |
| (1) 1/8" Allen Key | |

BEFORE PROCEEDING, READ INSTALLATION INSTRUCTIONS COMPLETELY

CAUTION! PLASMA DISPLAYS AND CPUs ARE EXTREMELY FRAGILE.

1. Using a 10-24 button head cap screw inserted from inside of bracket, secure mounting button, with chamfered hole of mounting button (larger surface) facing bracket, to bracket (four places) (See Figures 2 & 3).

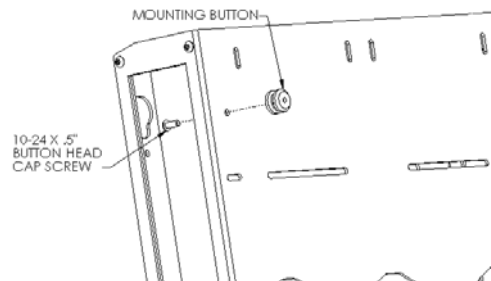


Figure 2

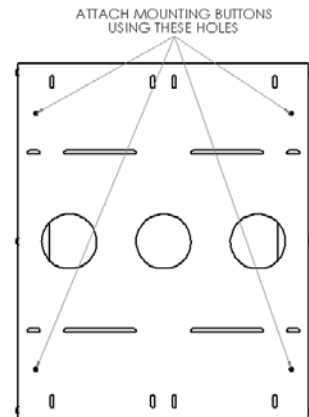


Figure 3

2. Attach latching flag to mount using the 10-24 phillips flat head screw, Nylon washer, and Nylock nut (see Figure 4). Tighten until friction will hold the flag in place.

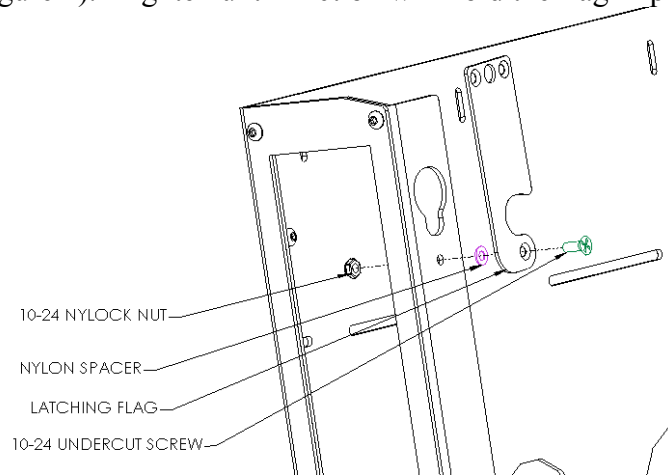


Figure 4

3. Using the M3 screw, attach all four CPU Brackets to computer (see Figure 5).

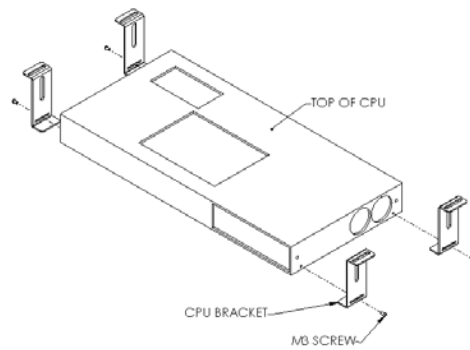


Figure 5

4. Attach CPU to Interface Adapter using the 10-24 x .5 Button Head Cap Screw and Nylock nuts (see Figure 6). For door access, make sure the computer's front faces out through window of interface adapter. Slots have been placed to allow left or right CPU mounting.

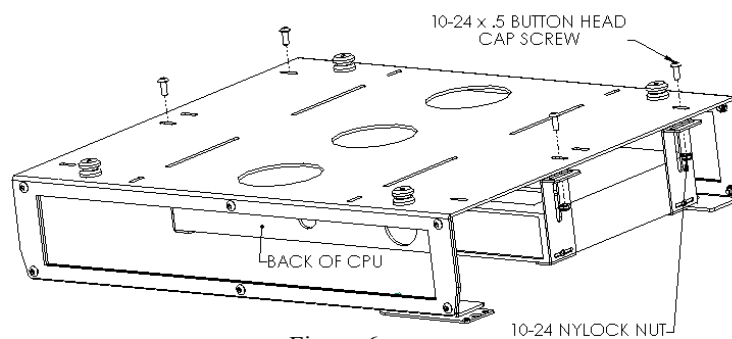


Figure 6

5. Lift Interface Adapter up to Chief Mount, aligning buttons of adapter with slots in the Chief Mount. Make sure the tear drop slots of Interface Adapter face down replicating those of the Chief Mount. Raise safety latch on Chief Mount to secure Display, making sure latch is completely engaged.
6. With the aid of another person, lift Large Flat Panel Display up to the PAC-250 CPU Interface Adapter, aligning buttons of mounting brackets with slots in the adapter.
7. Raise safety latch on PAC-250 to secure Display, making sure latch is completely engaged.