

---

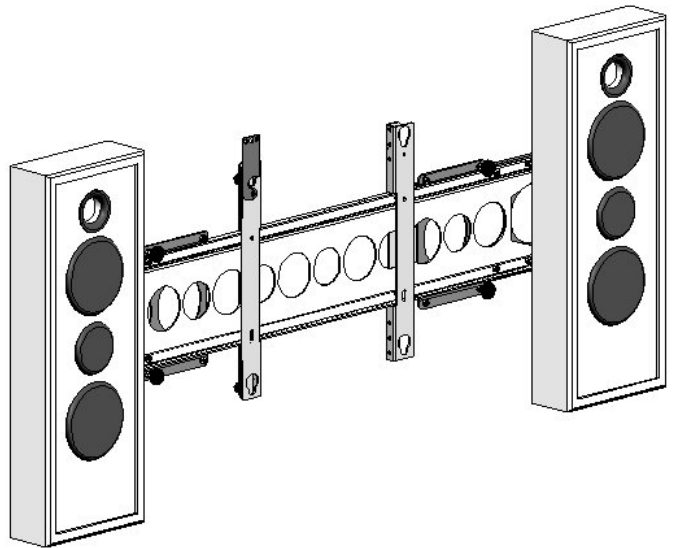
# INSTRUCTION MANUAL

---

## Speaker Mount Assembly (PAC-300)

The Speaker Mount Assembly (PAC-300) is designed to fit up to most 50" screens. The mount attaches to the center of the speaker, adding only about one inch to the depth of the mount and 20 pounds to the weight.

Height adjust ability of the mount is two inches, one inch up and one inch down, from the center in one-half inch increments.



### BEFORE YOU BEGIN

---

- **CAUTION:** To prevent damage to the PAC-300, which could affect or void the Factory warranty, thoroughly study all instructions and illustrations before you begin to install or operate the unit. Pay particular attention to the "Important Precautions" on Page 1.
- The maximum weight to be installed on the PAC-300 is limited by the weight specification of mount.
- If you have any questions about this assembly, contact Chief Manufacturing at 1-800-582-6480.



## IMPORTANT WARNINGS and CAUTIONS!

---

- WARNING:** A **WARNING** alerts you to the possibility of serious injury or death if you do not follow the instructions.
- CAUTION:** A **CAUTION** alerts you to the possibility of damage or destruction of equipment if you do not follow the corresponding instructions.
- **WARNING:** The maximum weight to be installed on the PAC-300 is limited to the weight specification of your mount.
  - **CAUTION:** Inspect the unit for shipping damage.
  - **CAUTION:** Drilling holes in a speaker may damage speaker.

## TOOLS REQUIRED FOR INSTALLATION

---

- Phillips screwdriver
- 3/8" and 7/16" wrench
- Socket set with extension
- Allen wrench set

**NOTE:** Other tools may be required depending on the method of installation.

## CONTENTS

---

INSPECT PARTS BEFORE ASSEMBLY .....	2
Inspect The Mount .....	2
ASSEMBLE MOUNT .....	3
MOUNT DISPLAY .....	5
MOUNT SPEAKERS.....	6
Speaker Bracket Attachment.....	6
Speaker Mounting .....	7

## INSPECT PARTS BEFORE ASSEMBLY

### Inspect The Mount

1. Carefully inspect the mount for shipping damage. If any damage is apparent, call your carrier claims agent and do not continue with the assembly procedure until the carrier has reviewed the damage.

**NOTE:** Read all assembly instructions before starting assembly.

2. Carefully inspect the Speaker Mount Assembly (PAC-300) components for damage (See Figure 1).

#### Item #

- 10. Speaker Mount Cross Support
- 20. Speaker Mount Button Support (Left)
- 30. Speaker Mount Button Support (Right)
- 40. Speaker Mount End Support (Qty. 2)
- 50. Speaker Bracket (Qty. 2)
- 60. Latching Flag
- 70. 10-24X1/2" Phillips Undercut Screw
- 80. Nylon Spacer

#### Item #

- 90. 10-24 Nylock Nut (Qty. 5)
- 100. Mounting Button (Qty. 4)
- 110. 10-24X7/8" Button Head Cap Screw (Qty. 4)
- 120. Rubber Washer (Qty. 8)
- 130. Thumb Screw Knob (Qty. 4)
- 140. Flat Washer (Qty. 8)
- 150. 1/4-20X1/2" Hex Head Cap Screw (Qty. 20)

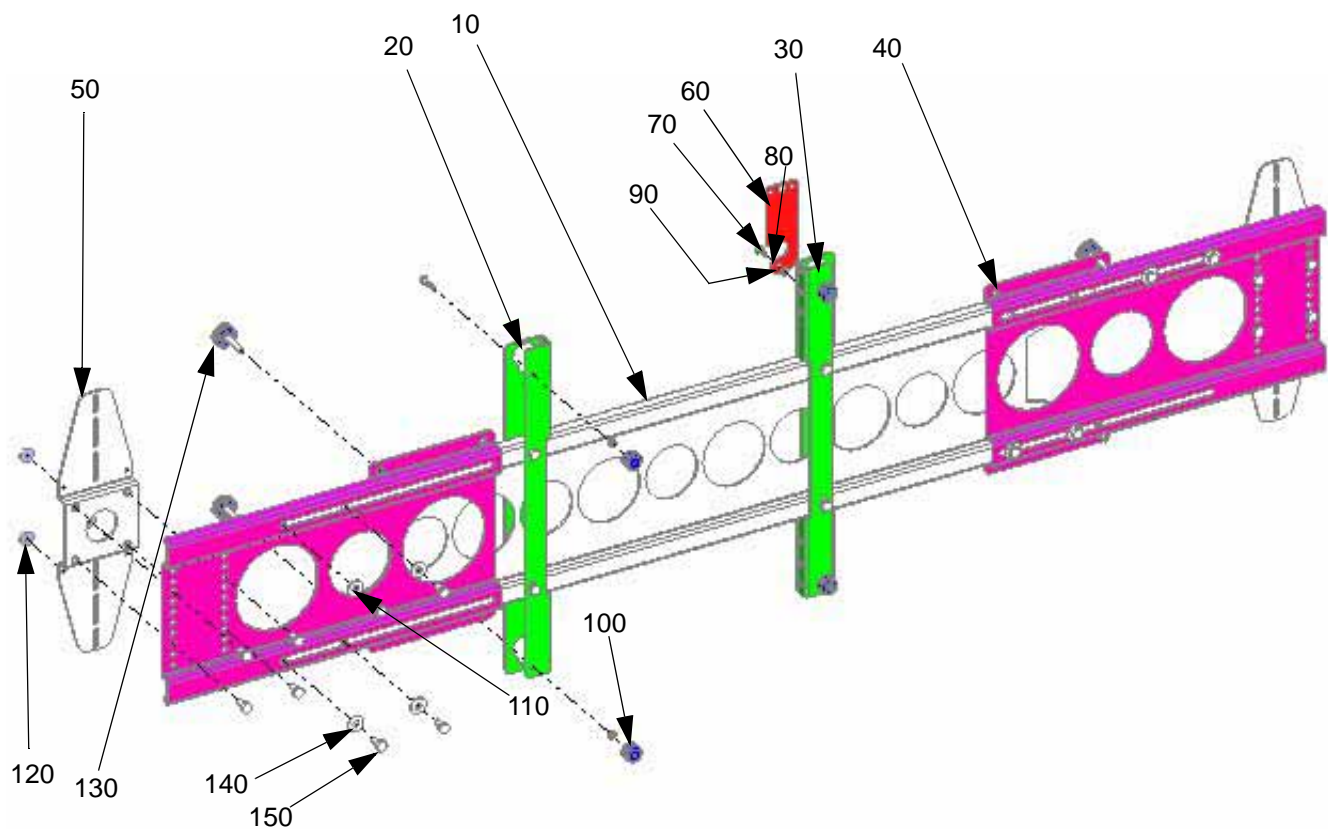


Figure 1. Speaker Mount Assembly

# ASSEMBLE MOUNT

**NOTE:** Numbers in ( ) refer to parts shown in Figure 1.

Assemble mount as follows:

1. Attach two mounting buttons (100) to left speaker mount button support (20) and right speaker mount button support (30) using four 10-24X7/8" button head cap screws (110) and four Nylock nuts (90) (see Figure 1, Figure 2 and Figure 3).
2. Install left speaker mount button support (20) and right speaker mount button support (30) on speaker mount cross support (10) and secure using four 1/4-20X1/2" hex head cap screws (150) (see Figure 4). **NOTE:** Installing screws on top first makes installing screws in slotted holes on bottom last is easier.

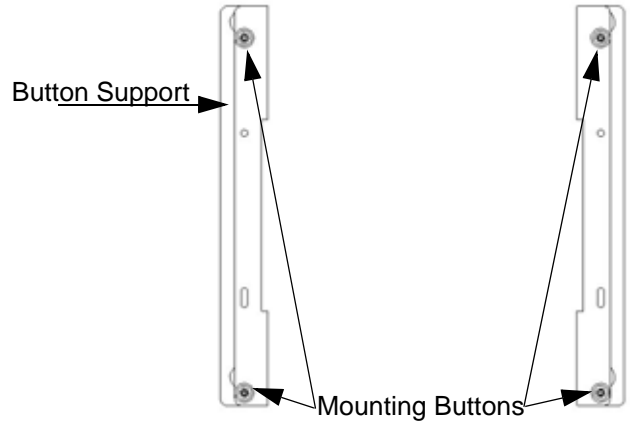


Figure 2. Mounting Button Location

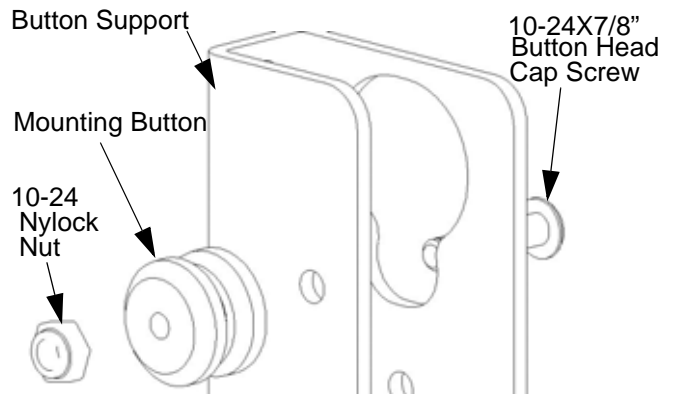


Figure 3. Mounting Button Attachment

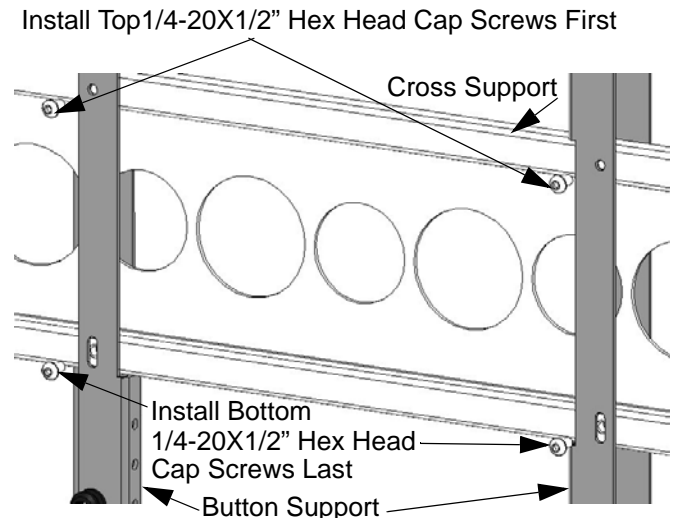


Figure 4. Button Supports to Cross Support

- 3. Install the speaker mount end supports (40) on the speaker mount cross support (10) and secure each speaker mount end support using four flat washers (140) and four 1/4-20X1/2" hex head cap screws (150) (see Figure 5 and Figure 6).
- 4. Install the latching flag (60) using the 10-24X1/2" Phillips undercut screw (70), Nylon spacer (80) and 10-24 Nylock nut (90) (see Figure 7).
- 5. Install the thumb screw knobs (130) (see Figure 8).

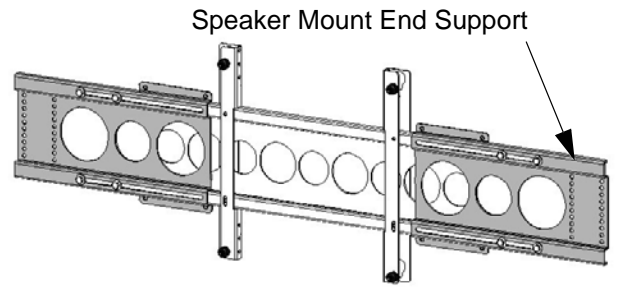


Figure 5. Speaker Mount End Supports

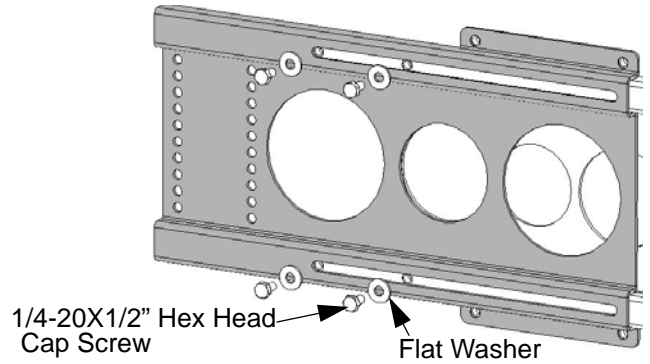


Figure 6. Speaker Mount End Support Attachment

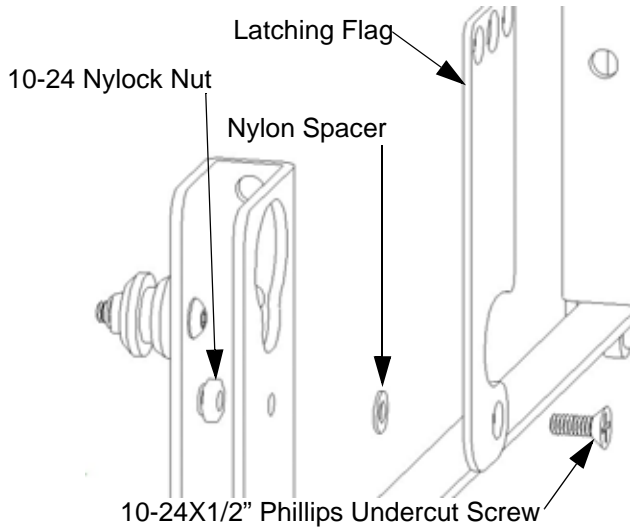


Figure 7. Install Latching Flag

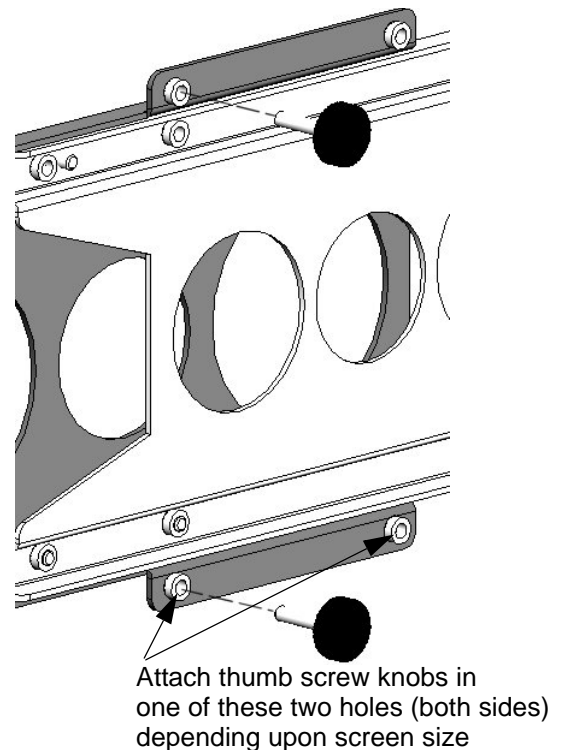


Figure 8. Install Thumb Screw Knobs

## MOUNT DISPLAY

1. Install PSB brackets on the display according to the instructions accompanying the brackets for your display.
2. Install the display on the mount according to instructions accompanying the PSB brackets for your display.
3. Adjust the thumb screw knobs (130) against the display to stabilize the display if necessary (see Figure 9).

Adjust thumb screw knobs against back of display

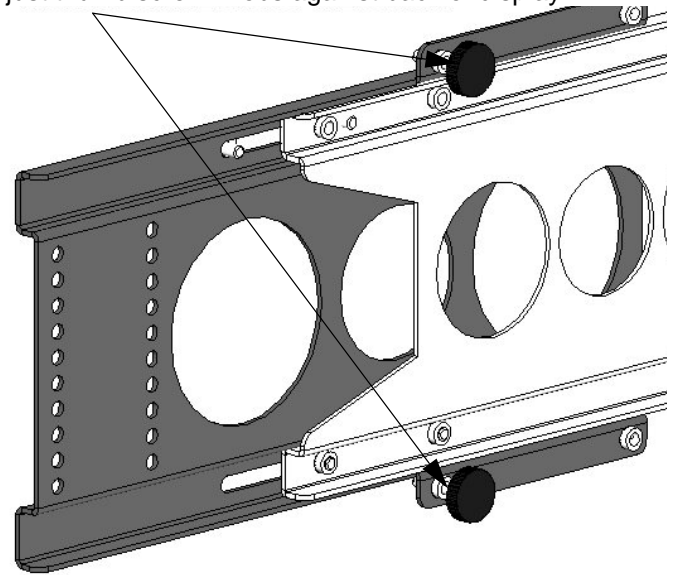


Figure 9. Adjust Thumb Screw Knobs

# SPEAKER ATTACHMENT

## Speaker Bracket Attachment

1. If speakers have inserts for brackets, install two speaker brackets (50) on speaker (see Figure 10 and Figure 11). Brackets may be vertically or horizontally using the 3”X4” pattern and/or slotted holes.

**CAUTION:** Drilling holes in a speaker may damage speaker.

2. If speakers do not have inserts for brackets, confirm with your speaker manufacturer that you can drill holes for attaching mounting brackets.
3. After confirming with your speaker manufacturer that you can drill holes for attaching mounting brackets, drill holes and attach mounting bracket (see Figure 10, Figure 11 and Figure 12). Brackets may be vertically or horizontally using the 3”X4” pattern and/or slotted holes.

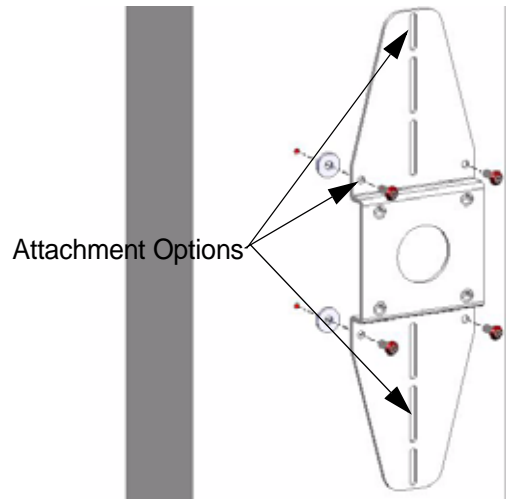


Figure 10. Vertical Bracket Mounting Option

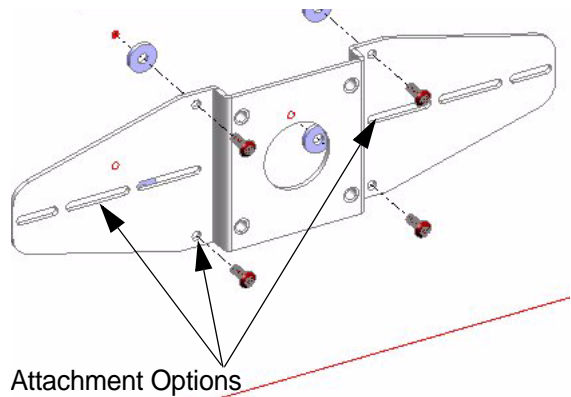


Figure 11. Horizontal Bracket Mounting Option

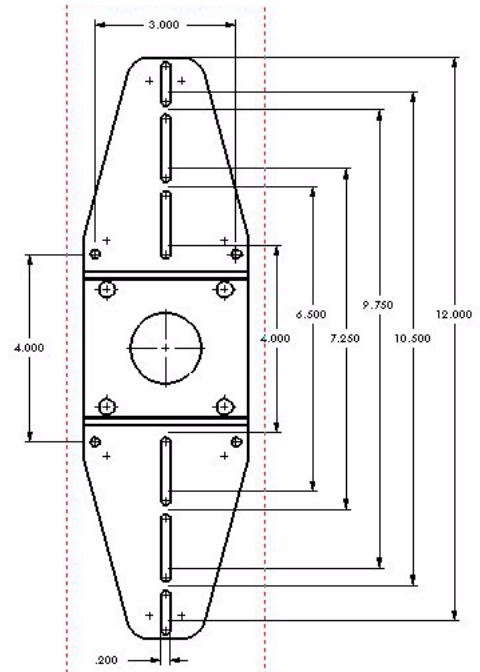


Figure 12. Bracket Dimensions

## Speaker Mounting

1. Loosen (Do not remove) four 1/4-20X1/2" hex head cap screws (150) securing speaker mount end support (40) on each side of mount (see Figure 13)
2. Extend speaker mount end supports (40) to facilitate speaker attachment.
3. Place each speaker, with mounting bracket attached, at desired height on mount, align mounting holes, and secure using four 1/4-20X1/2" hex head cap screws (150).
4. Slide speaker mount end supports (40) to accommodate the desired position and secure in place by tightening 1/4-20X1/2" hex head cap screws (150).

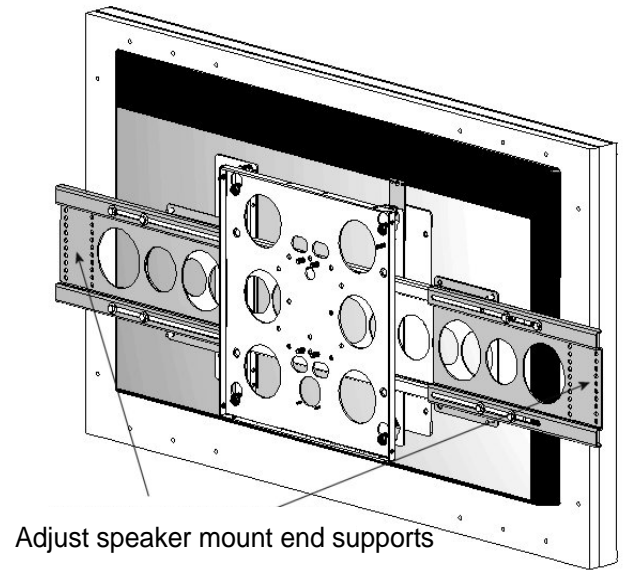


Figure 13. Speaker End Support Adjustment

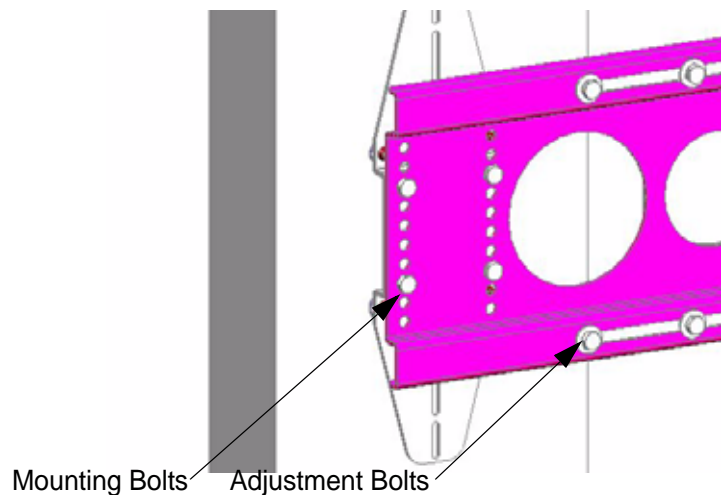


Figure 14. Speaker Mounting and Adjustment