



INSTALLATION INSTRUCTIONS

# PAC-390 CUBE WALL HANGER ACCESSORY

Prior to assembly, unpack carton completely and verify contents.

If you are missing any of the following components, please contact Customer Service at 1-800/582-6480

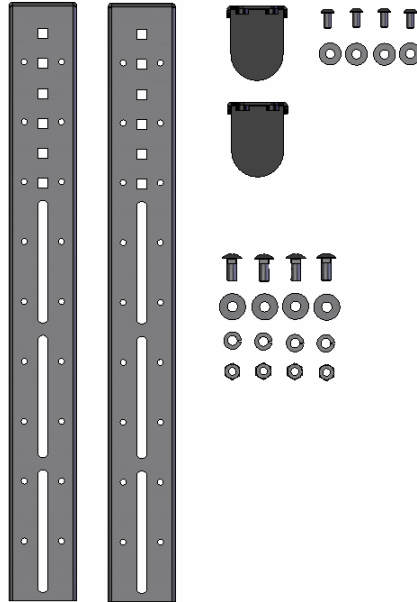


Figure 1

- (2) BRACKET, Front
- (2) BRACKET, Front
- (4) BOLT, 1/4"-20
- (4) BOLT, 5/16"-18 Carriage

- (4) WASHER, 1/4" Flat
- (4) WASHER, 5/16" Flat
- (4) WASHER, 5/16" Lock
- (4) NUT, 5/16"-18

BEFORE PROCEEDING, READ INSTALLATION INSTRUCTIONS COMPLETELY

## CAUTION! LARGE FLAT SCREEN DISPLAYS ARE EXTREMELY FRAGILE.

1. Using two 1/4"-20 bolts and flat washers , attach a rear bracket to a front bracket (see Figure 2). Repeat for this process for remaining brackets.

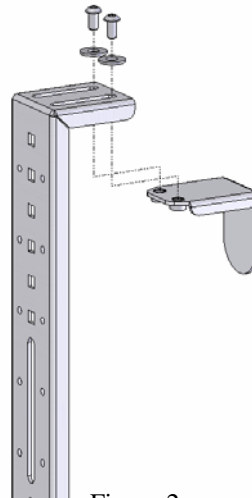


Figure 2

2. Attach wall mount to hangers using four 5/16"-18 carriage bolts, four flat washers, four lock washers, and four lock nuts (see Figure 3).

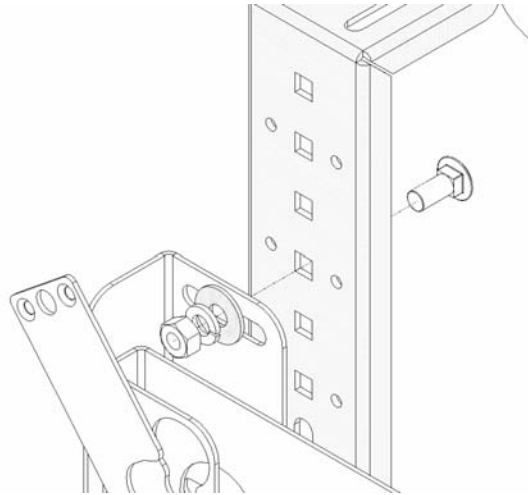


Figure 3

3. Place hanger, with mount, over cube wall.
4. Adjust top plate to width of cube wall (see Figure 4).

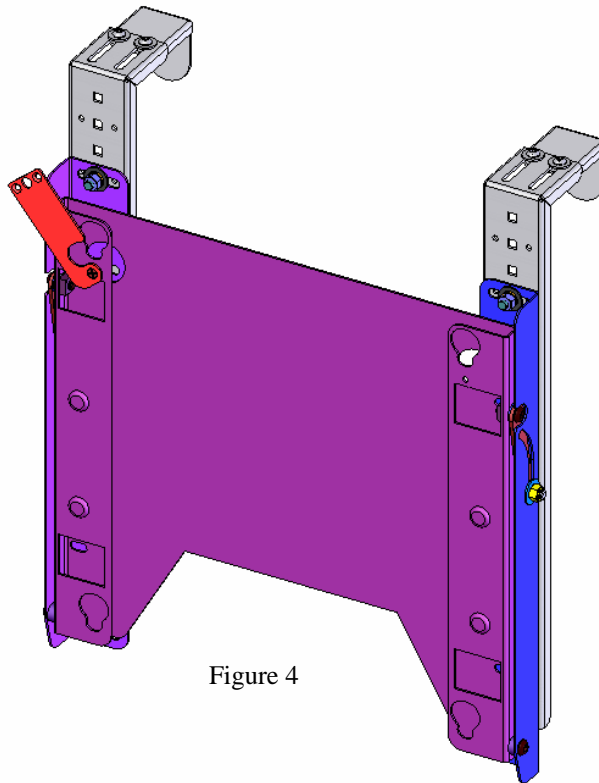


Figure 4

5. Install display/PSB assembly on mount.