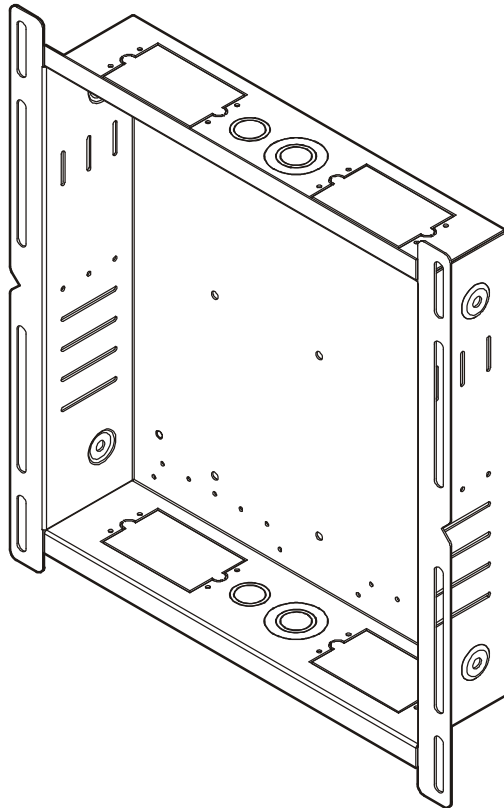

INSTALLATION INSTRUCTIONS



IN-WALL ACCESSORY BOX

DISCLAIMER

Milestone AV Technologies, Inc., and its affiliated corporations and subsidiaries (collectively, "Milestone"), intend to make this manual accurate and complete. However, Milestone makes no claim that the information contained herein covers all details, conditions or variations, nor does it provide for every possible contingency in connection with the installation or use of this product. The information contained in this document is subject to change without notice or obligation of any kind. Milestone makes no representation of warranty, expressed or implied, regarding the information contained herein. Milestone assumes no responsibility for accuracy, completeness or sufficiency of the information contained in this document.

Chief® is a registered trademark of Milestone AV Technologies. All rights reserved.



IMPORTANT SAFETY INSTRUCTIONS



WARNING: A WARNING alerts you to the possibility of serious injury or death if you do not follow the instructions.



CAUTION: A CAUTION alerts you to the possibility of damage or destruction of equipment if you do not follow the corresponding instructions.



WARNING: Failure to read, thoroughly understand, and follow all instructions can result in serious personal injury, damage to equipment, or voiding of factory warranty! It is the installer's responsibility to make sure all components are properly assembled and installed using the instructions provided.



CAUTION: This equipment must be installed and assembled by qualified service personnel in accordance with local building codes.



WARNING: Failure to provide adequate structural strength for this accessory can result in serious personal injury or damage to equipment! It is the installer's responsibility to make sure the structure to which this accessory is attached can support the combined weight of the box and all equipment not to exceed 10 lbs (4.5 kg).



WARNING: Use this mounting system only for its intended use as described in these instructions. Do not use attachments not recommended by the manufacturer.



WARNING: Never operate this mounting system if it is damaged. Return the mounting system to a service center for examination and repair.



WARNING: Do not use this product outdoors.

IMPORTANT ! : SUITABLE FOR USE IN OTHER ENVIRONMENTAL AIR SPACE IN ACCORDANCE WITH SECTION 300.22, (C) OF THE NATIONAL ELECTRICAL CODE.

NOTE: The equipment shall be installed and assembled by qualified service personnel.

NOTE: Knockouts are provided for ease of installation. Any unused knockouts that have been punched are to be closed up with a metal plug.

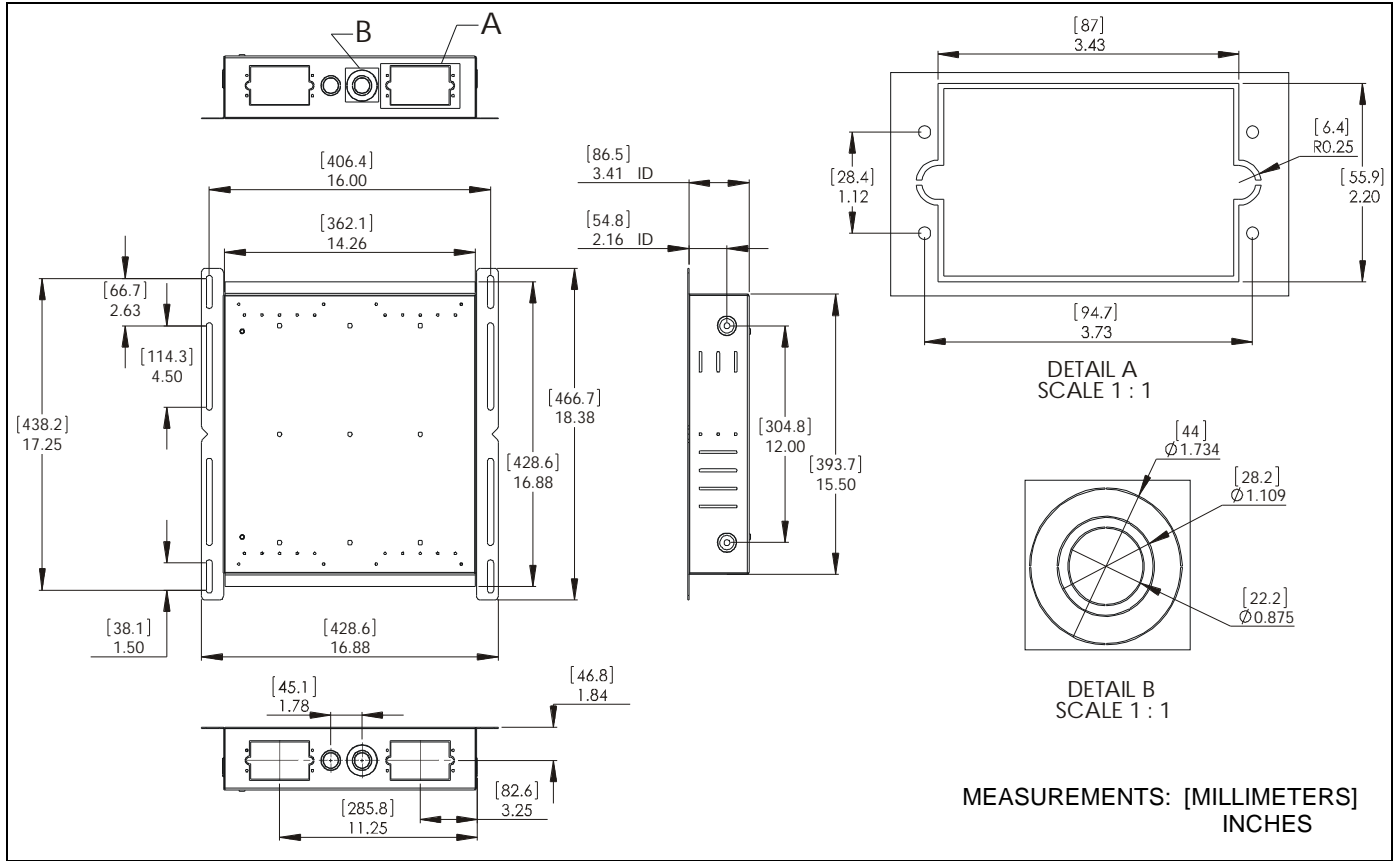
NOTE: The maximum specified ambient temperature of the cabinet system is 40° - 120°F (4° - 49°C).

NOTE: Spacings - Minimum spacings between the Accessories and components and the housing for Information Technology Communication Equipment shall be maintained for safe operation of the equipment when installed in accordance with the National Electric Code, ANSI/NFPA 70-1999. Refer to communication equipment manufacturer's specifications for minimum spacings.

NOTE: This In-Wall Cabinet System is for use with ITE or Audio/Video equipment only.

--SAVE THESE INSTRUCTIONS--

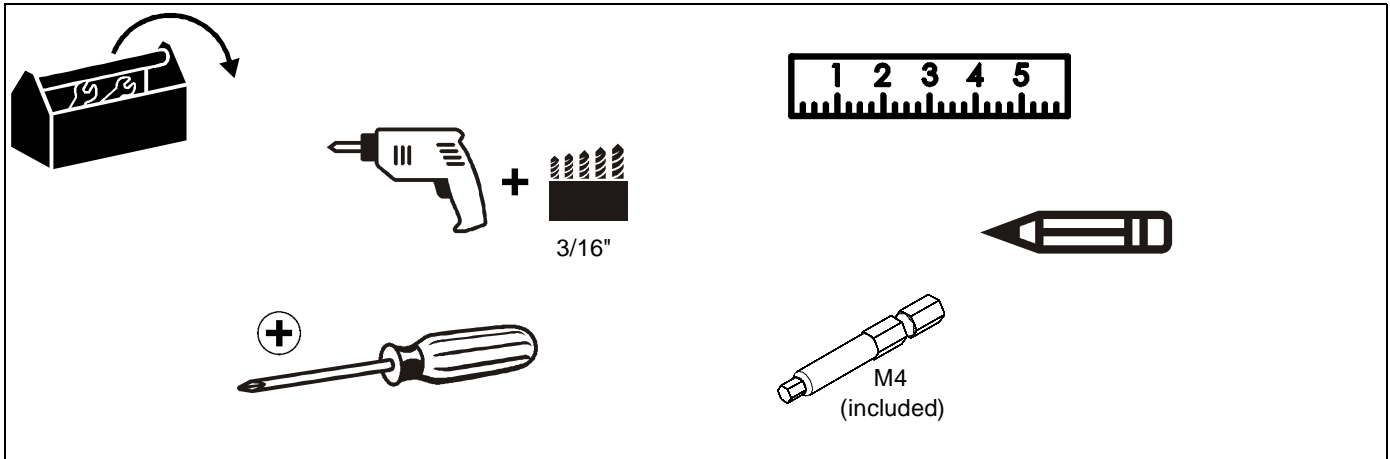
DIMENSIONS



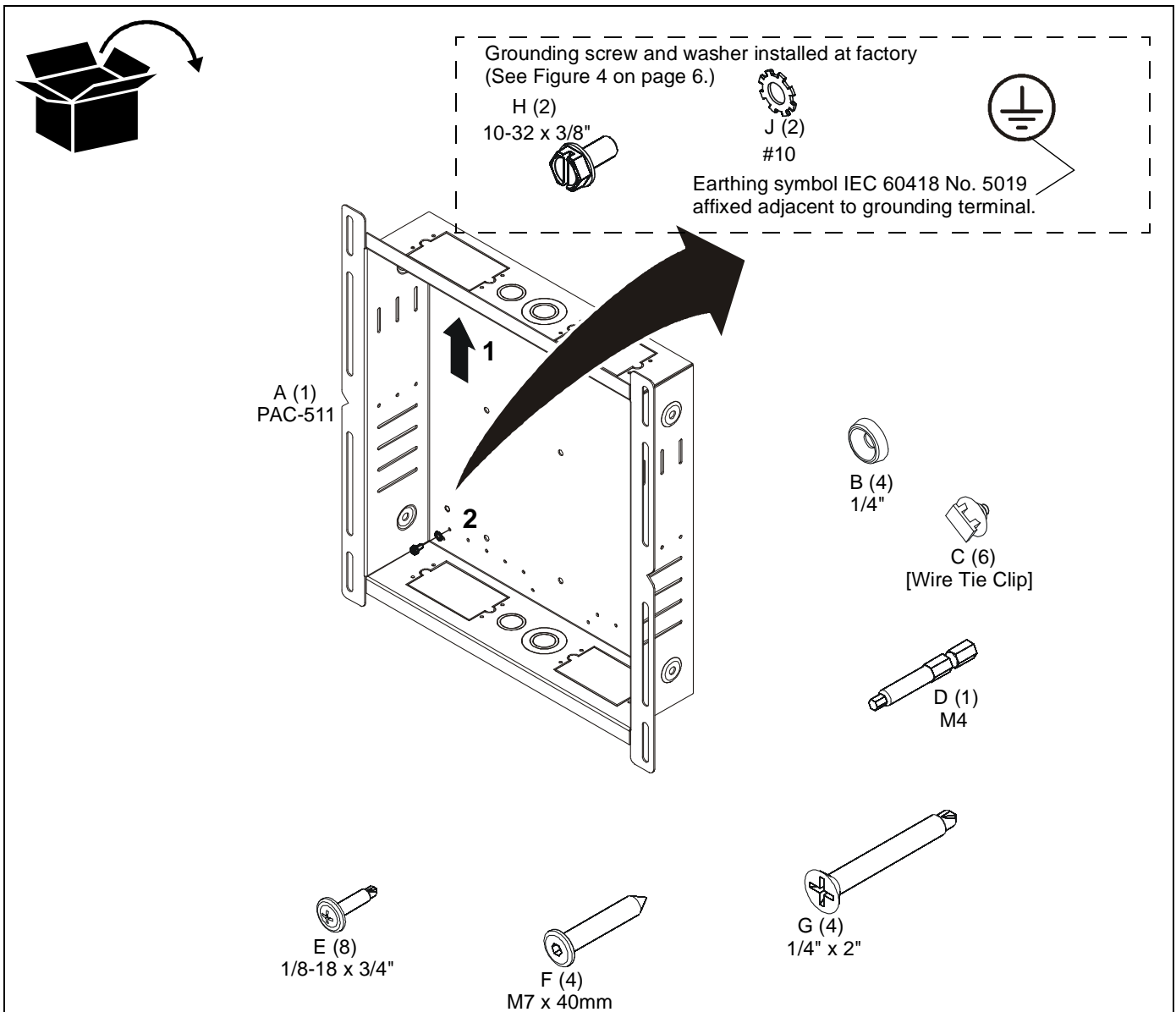
LEGEND

	Tighten Fastener		Pencil Mark
	Apretar elemento de fijación		Marcar con lápiz
	Befestigungsteil festziehen		Stiftmarkierung
	Apertar fixador		Marcar com lápis
	Serrare il fissaggio		Segno a matita
	Bevestiging vastdraaien		Potloodmerkteken
	Serrez les fixations		Marquage au crayon
	Loosen Fastener		Drill Hole
	Aflojar elemento de fijación		Perforar
	Befestigungsteil lösen		Bohrloch
	Desapertar fixador		Fazer furo
	Allentare il fissaggio		Praticare un foro
	Bevestiging losdraaien		Gat boren
Desserrez les fixations	Percez un trou		
	Phillips Screwdriver		Hex-Head Wrench
	Destornillador Phillips		Llave de cabeza hexagonal
	Kreuzschlitzschraubendreher		Sechskantschlüssel
	Chave de fendas Phillips		Chave de cabeça sextavada
	Cacciavite a stella		Chiave esagonale
	Kruiskopschroevendraaier		Zeskantsleutel
Tournevis à pointe cruciforme	Clé à tête hexagonale		

TOOLS REQUIRED FOR INSTALLATION



PARTS



INSTALLATION

The PAC-511 is intended for use in installations where an existing finished (drywalled) wall is present, and includes flanged edges to cover the cutout in wall.



WARNING: IMPROPER INSTALLATION CAN RESULT DEATH OR SERIOUS PERSONAL INJURY! This accessory should be installed by qualified personnel.

PAC-511 Site Preparation

Locate and Prepare Mounting Site

1. Identify a suitable wall location for the accessory.

IMPORTANT ! : The PAC-511 is designed for in-wall installation between two wood or steel studs, 16" on center. Inadequate space will remain on each side between studs for electrical wires/cables, plumbing, ductwork, or insulation. Locate accordingly!



WARNING: ELECTRICAL SHOCK HAZARD! CUTTING OR DRILLING INTO ELECTRICAL WIRES OR CABLES CAN CAUSE DEATH OR SERIOUS PERSONAL INJURY! ALWAYS make certain area behind mounting surfaces is free of electrical wires and cables before cutting, drilling, or installing fasteners.



WARNING: EXPLOSION AND FIRE HAZARD! CUTTING OR DRILLING INTO GAS PLUMBING CAN CAUSE DEATH OR SERIOUS PERSONAL INJURY! ALWAYS make certain area behind mounting surfaces is free of gas, water, waste, or any other plumbing before cutting, drilling, or installing fasteners.

2. Using a stud sensor, locate and mark studs.
3. Center and level housing between marked studs.
4. Using housing as a template, draw pencil line completely around housing.

NOTE: Housing is designed to fit between and directly against two adjacent wall studs.

5. Using a measuring tool, measure the marked area and compare to the dimensions below. If measurements match continue to Step 6. If not, adjust markings to match dimensions below. (See Figure 1)
6. Cut drywall on *outside* edge of line and remove.

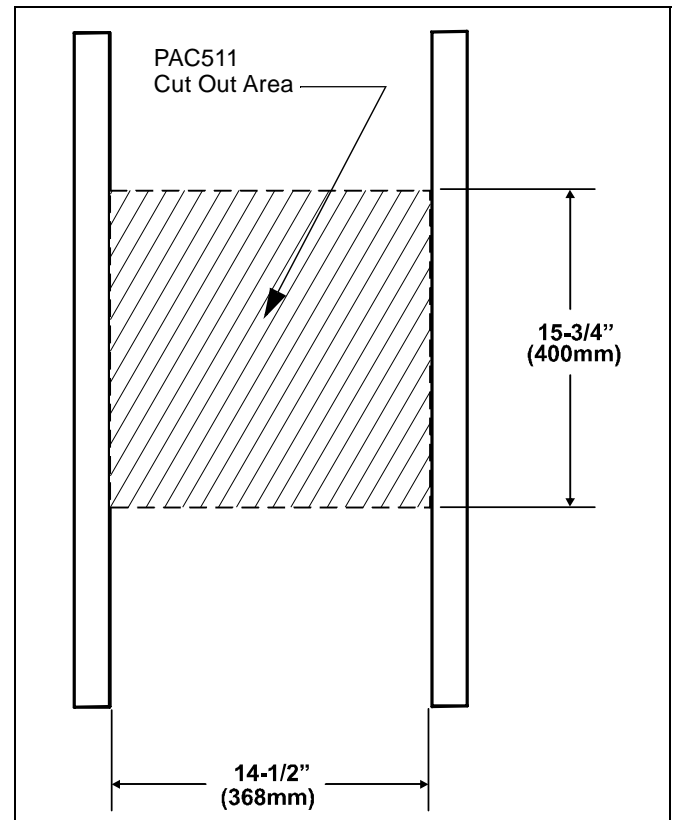


Figure 1

Accessory Box Installation

1. Insert PAC511 (A) into opening. (See Figure 2)

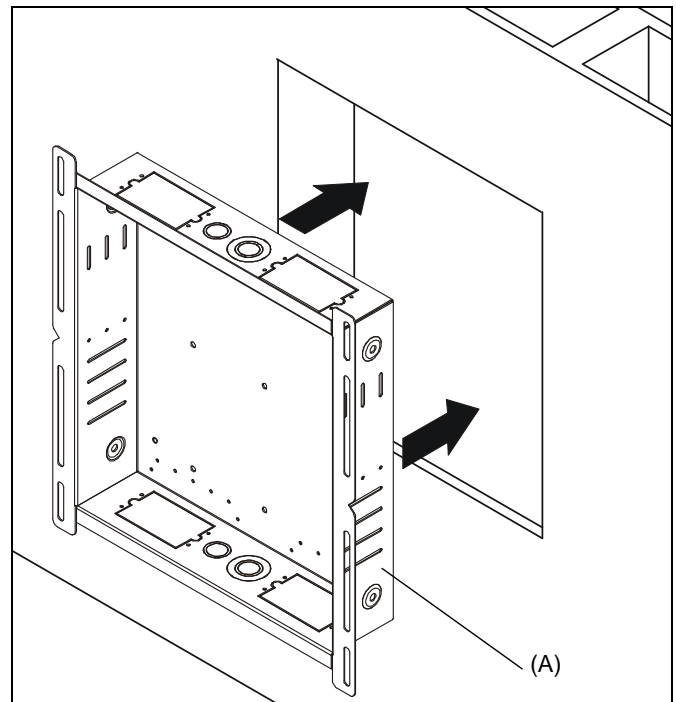


Figure 2

⚠ WARNING: ELECTRICAL SHOCK HAZARD! CUTTING OR DRILLING INTO ELECTRICAL WIRES OR CABLES CAN CAUSE DEATH OR SERIOUS PERSONAL INJURY! ALWAYS make certain area behind mounting surfaces is free of electrical wires and cables before cutting, drilling, or installing fasteners.

⚠ DANGER: IMPROPER WIRING CAN LEAD TO DEATH OR SEVERE PERSONAL INJURY! Grounding must be installed by qualified personnel using a UL Recognized No. 12AWG Green and Yellow grounding wire connected to grounding lug on mount.

2. Secure accessory box to studs by:

WOOD STUD:

1. Drill four 3/16" dia. pilot holes in studs at mounting holes. (See Figure 3)
2. Install four M7 x 40mm Allen head connector screws (F) into pilot holes using an M4 Allen head drill bit (D). (See Figure 3)

STEEL STUD:

1. Drill four 3/16" dia. pilot holes in studs at mounting holes. (See Figure 3)
2. Install four 1/4" countersunk finishing washers (B) and four 1/4" x 2" Phillips flat head self drilling screws (G) into pilot holes. (See Figure 3)

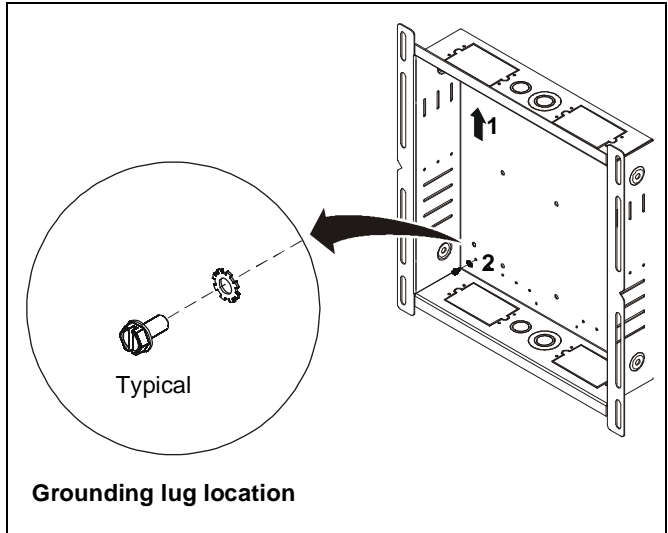


Figure 4

Installing Accessories

Accessories can be mounted directly to the PAC511 by using the mounting screws provided and the mounting holes integrated into the box.

To mount an accessory:

1. Identify area within accessory box where accessory is to be mounted.
2. Align the mounting holes in accessory with mounting holes in box.

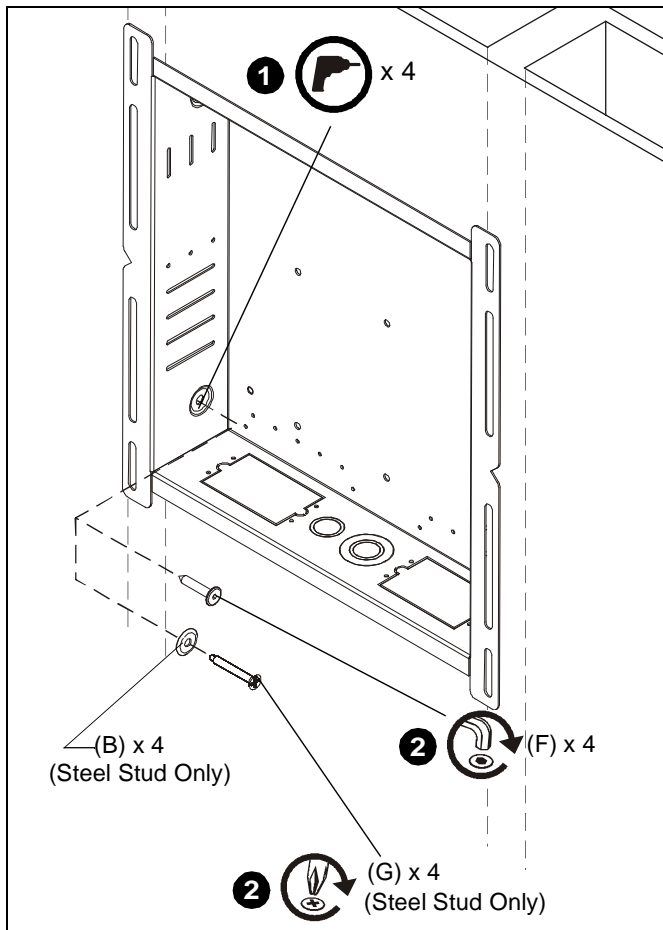


Figure 3

3. Secure accessory to box using Phillips screwdriver and as many 1/8-18 x 3/4" mounting screws (E) as required. (See Figure 5)

NOTE: The top and bottom slots in the side flanges of PAC511 are designed to fall at the center of the studs on 16" centers. When installing a mount over the top of PAC511, align mounting holes in mount with top and bottom slots in side flanges and secure using hardware specified in the Installation Instructions provided with the mount.

4. Use the wire tie clips (C), as necessary, for cable management. (See Figure 5)

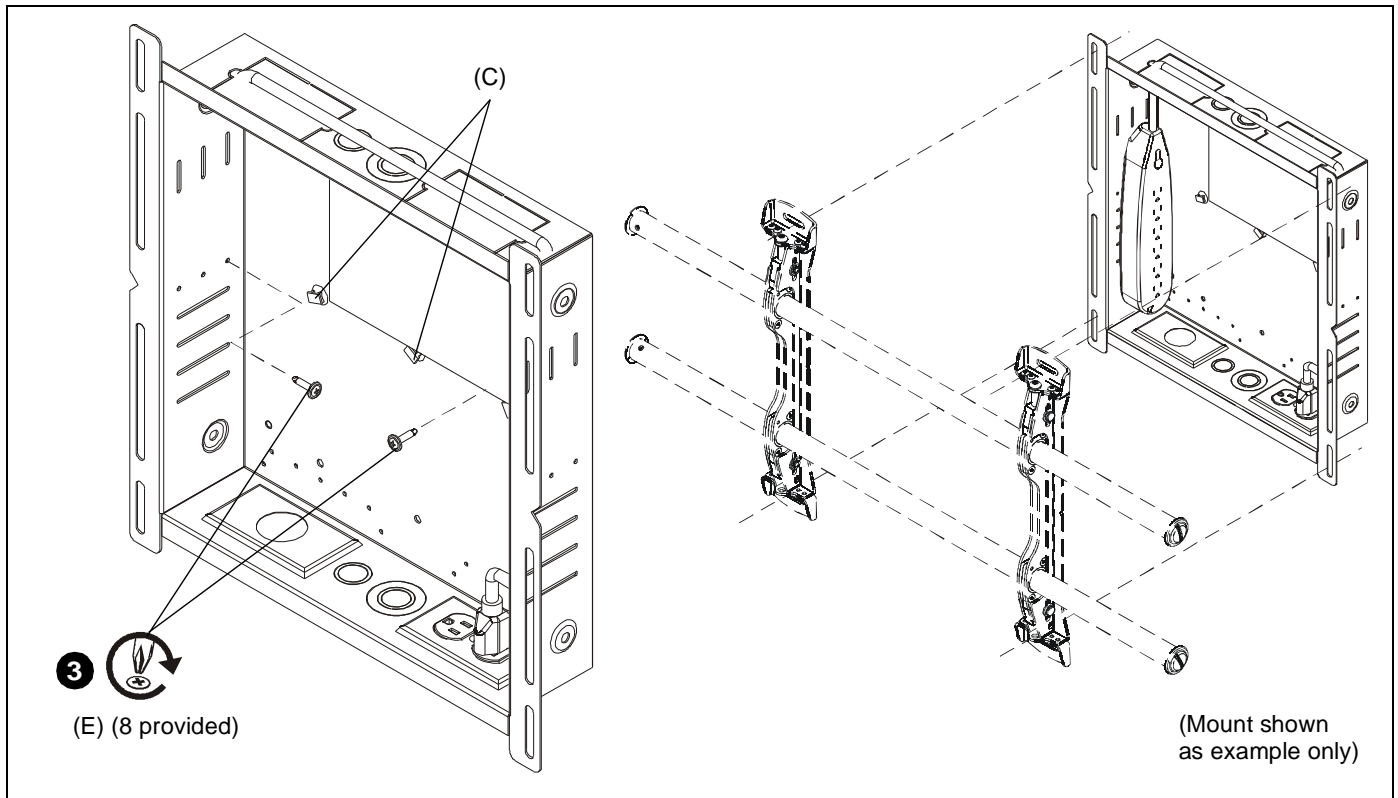


Figure 5



Our Mounts. **Your Vision.**

Chief Manufacturing, a products division
of Milestone AV Technologies

8807-002008 Rev01
©2012 Milestone AV Technologies,
a Duchossois Group Company
www.chiefmfg.com
09/12

USA/International	A 6436 City West Parkway, Eden Prairie, MN 55344 P 800.582.6480 / 952.225.6000 F 877.894.6918 / 952.894.6918
Europe	A Franklinstraat 14, 6003 DK Weert, Netherlands P +31 (0) 495 580 852 F +31 (0) 495 580 845
Asia Pacific	A Office No. 1 on 12/F, Shatin Galleria 18-24 Shan Mei Street Fotan, Shatin, Hong Kong P 852 2145 4099 F 852 2145 4477

