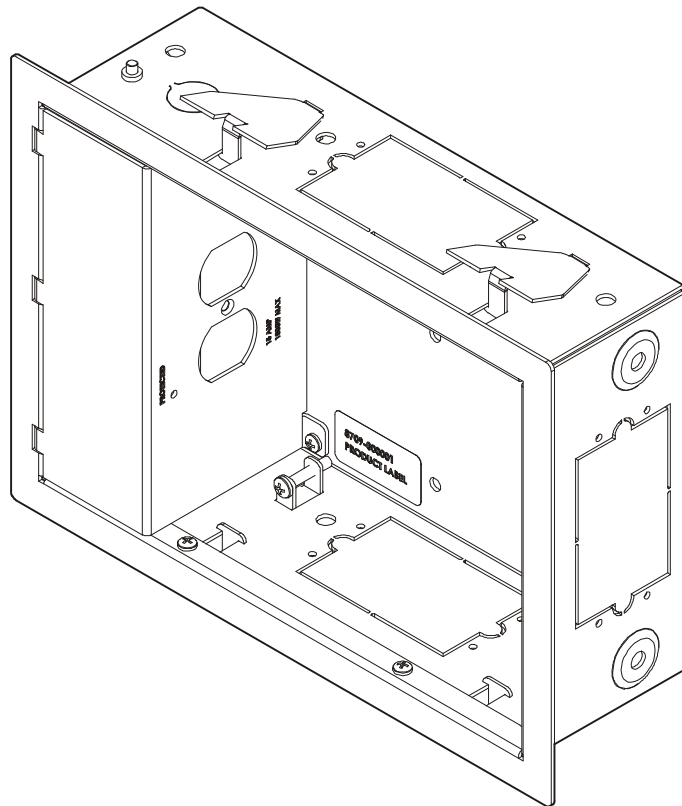

INSTALLATION INSTRUCTIONS



IN WALL ACCESSORY BOX

DISCLAIMER

Milestone AV Technologies, and its affiliated corporations and subsidiaries (collectively, "Milestone"), intend to make this manual accurate and complete. However, Milestone makes no claim that the information contained herein covers all details, conditions or variations, nor does it provide for every possible contingency in connection with the installation or use of this product. The information contained in this document is subject to change without notice or obligation of any kind. Milestone makes no representation of warranty, expressed or implied, regarding the information contained herein. Milestone assumes no responsibility for accuracy, completeness or sufficiency of the information contained in this document.

Chief® is a registered trademark of Milestone AV Technologies. All rights reserved.



IMPORTANT SAFETY INSTRUCTIONS



WARNING: A WARNING alerts you to the possibility of serious injury or death if you do not follow the instructions.



CAUTION: A CAUTION alerts you to the possibility of damage or destruction of equipment if you do not follow the corresponding instructions.



WARNING: Failure to read, thoroughly understand, and follow all instructions can result in serious personal injury, damage to equipment, or voiding of factory warranty! It is the installer's responsibility to make sure all components are properly assembled and installed using the instructions provided.



CAUTION: This equipment must be installed and assembled by qualified service personnel in accordance with local building codes.



WARNING: Failure to provide adequate structural strength for this accessory can result in serious personal injury or damage to equipment! It is the installer's responsibility to make sure the structure to which this accessory is attached can support the combined weight of the box and all equipment not to exceed 10 lbs (4.5kg).

NOTE: The equipment shall be installed and assembled by qualified service personnel.

NOTE: Knockouts are provided for ease of installation. Any unused knockouts that have been punched are to be closed up with a metal plug.

NOTE: Ambient Temperature - The manufacturer's maximum ambient temperature is 120°F (49°C) and minimum ambient temperature is 40°F (4°C) so that the installer is able to determine acceptability of use of Accessories and components.

NOTE: Spacings - Minimum spacings between the 120 Vac power components and the A/V components shall be maintained for safe operation of the equipment when installed in accordance with the applicable requirements of the National Electrical Code, ANSI/NFPA 70 in the U.S. and the Canadian Electrical Code, CSA C22.1 in Canada.

NOTE: This In-Wall Cabinet System is for use with ITE or Audio/Video equipment only.

NOTE: When selecting a Listed 120 Vac Receptacle for use as the main power source for the PAC521N (to power the A/V equipment), make sure that AC Receptacle is rated at least 15A and it is used in the building's AC branch circuit that is connected to a circuit breaker rated at least 15A. Do not connect more than 12A from the Receptacle.

NOTE: For indoor use only.

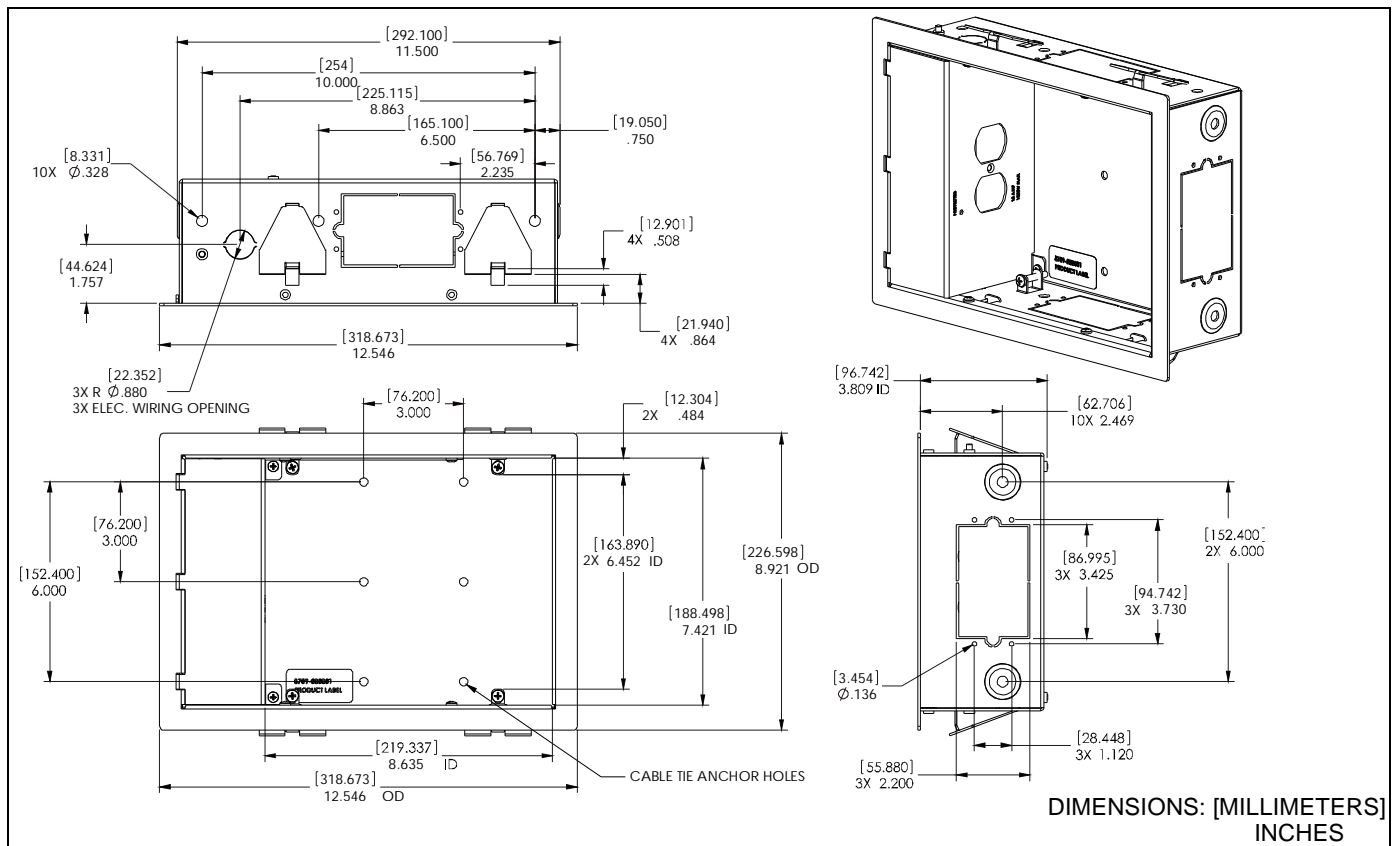
--SAVE THESE INSTRUCTIONS--

LEGEND

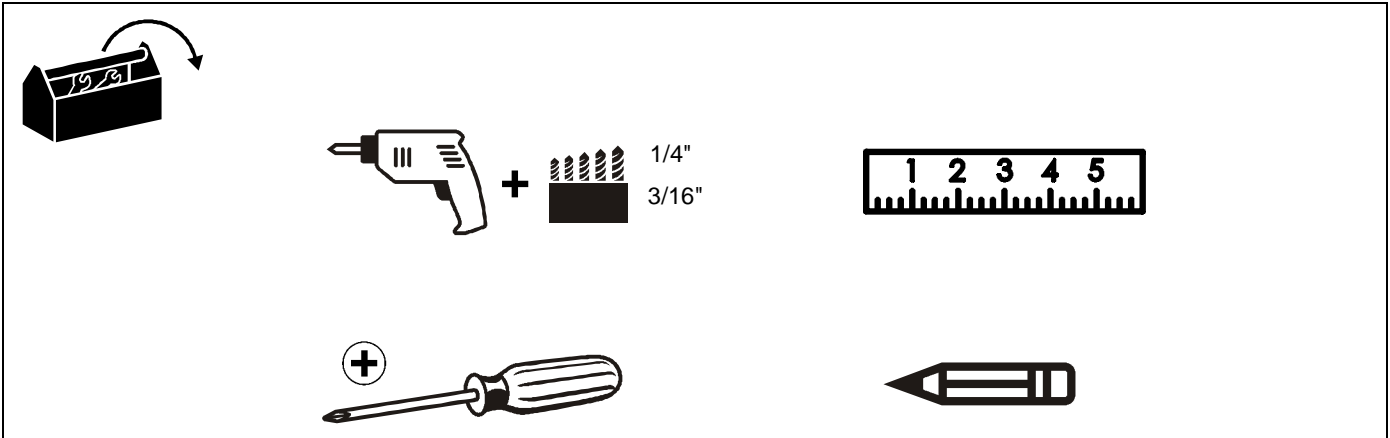
	Tighten Fastener
	Apretar elemento de fijación
	Befestigungsteil festziehen
	Apertar fixador
	Serrare il fissaggio
	Bevestiging vastdraaien
Serrez les fixations	
	Loosen Fastener
	Aflojar elemento de fijación
	Befestigungsteil lösen
	Desapertar fixador
	Allentare il fissaggio
	Bevestiging losdraaien
Desserrez les fixations	
	Phillips Screwdriver
	Destornillador Phillips
	Kreuzschlitzschraubendreher
	Chave de fendas Phillips
	Cacciavite a stella
	Kruiskopschroevendraaier
Tournevis à pointe cruciforme	

	Pencil Mark
	Marcar con lápiz
	Stiftmarkierung
	Marcar com lápis
	Segno a matita
	Potloodmerkteken
Marquage au crayon	
	Drill Hole
	Perforar
	Bohrloch
	Fazer furo
	Praticare un foro
	Gat boren
Percez un trou	
	Adjust
	Ajustar
	Einstellen
	Ajustar
	Regolare
	Afstellen
Ajuster	

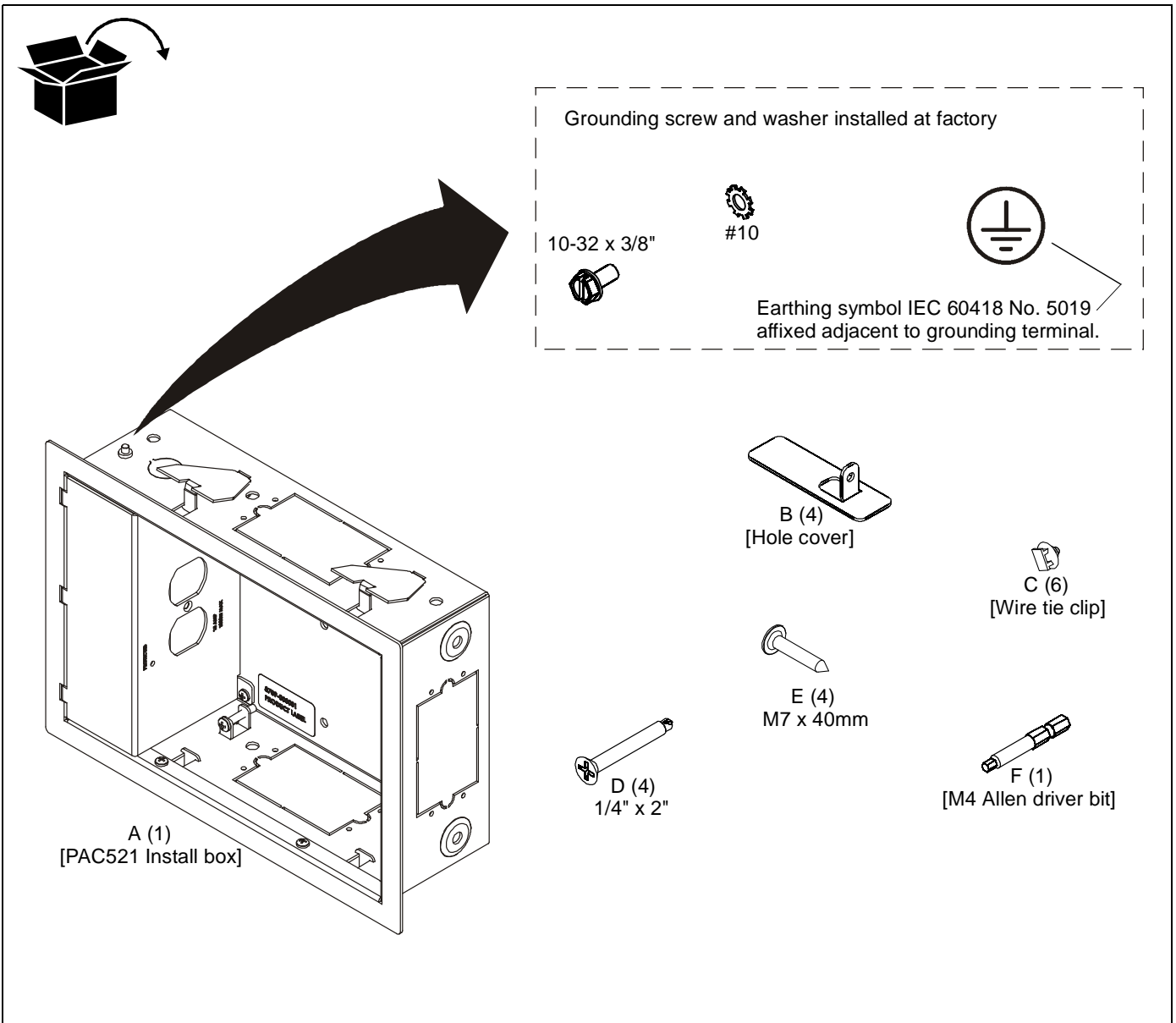
DIMENSIONS



TOOLS REQUIRED FOR INSTALLATION



PARTS



INSTALLATION

The PAC521N is intended for use both in installations where an existing finished drywall wall is present, and where the wall surface has not been finished and the structural studs are exposed. The wall must be finished around the opening of the box after the box has been installed.



WARNING: IMPROPER INSTALLATION CAN RESULT DEATH OR SERIOUS PERSONAL INJURY! This accessory should be installed by qualified personnel.

PAC521N Site Preparation

1. Identify a suitable wall location for the accessory.



WARNING: ELECTRICAL SHOCK HAZARD! CUTTING OR DRILLING INTO ELECTRICAL WIRES OR CABLES CAN CAUSE DEATH OR SERIOUS PERSONAL INJURY! ALWAYS make certain area behind mounting surfaces is free of electrical wires and cables before cutting, drilling, or installing fasteners.



WARNING: EXPLOSION AND FIRE HAZARD! CUTTING OR DRILLING INTO GAS PLUMBING CAN CAUSE DEATH OR SERIOUS PERSONAL INJURY! ALWAYS make certain area behind mounting surfaces is free of gas, water, waste, or any other plumbing before cutting, drilling, or installing fasteners.

2. Using a stud sensor, locate and mark studs.

NOTE: Housing is designed to fit between two adjacent wall studs, or in a drywall surface.

3. If installing the PAC521N to wall studs, center and level housing between marked studs.
4. Using housing as a template, draw pencil line completely around housing.
5. Measure the marked area and compare to the dimensions in Figure 1.
 - If measurements match continue to Step 6.
 - If measurements do NOT match, adjust markings to match dimensions. (See Figure 1)
6. Cut drywall on *outside* edge of line and remove.

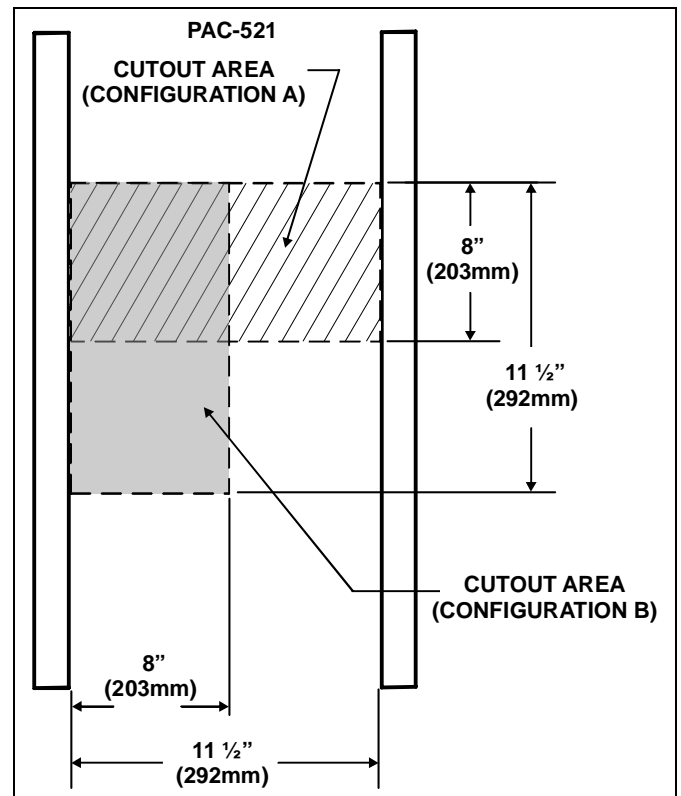


Figure 1

Installation Into Drywall

1. Insert PAC521N into drywall opening. (See Figure 2)

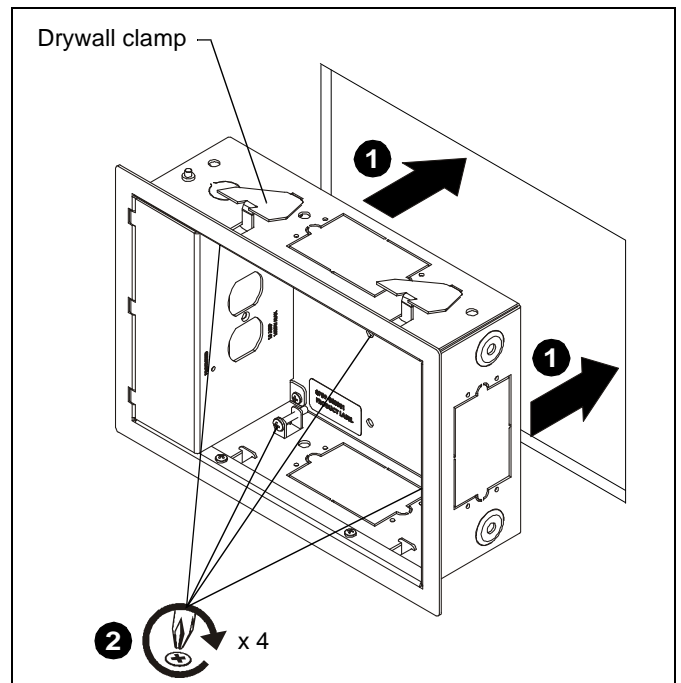


Figure 2

2. Tighten screws on the four drywall clamps so that they are locked in place in the drywall, and not laying flat against the PAC521N. (See Figure 2)

PAC521N Preparation

1. Remove and save four Phillips head screws holding four drywall clamps in place. (See Figure 3)
2. Turn drywall clamps 90° and slide out of PAC521N. (See Figure 3)
3. Add four hole covers (B) to PAC521N. (See Figure 4)
4. Using the Phillips head screws removed in Step 1, tighten hole covers (B) in place. (See Figure 4)

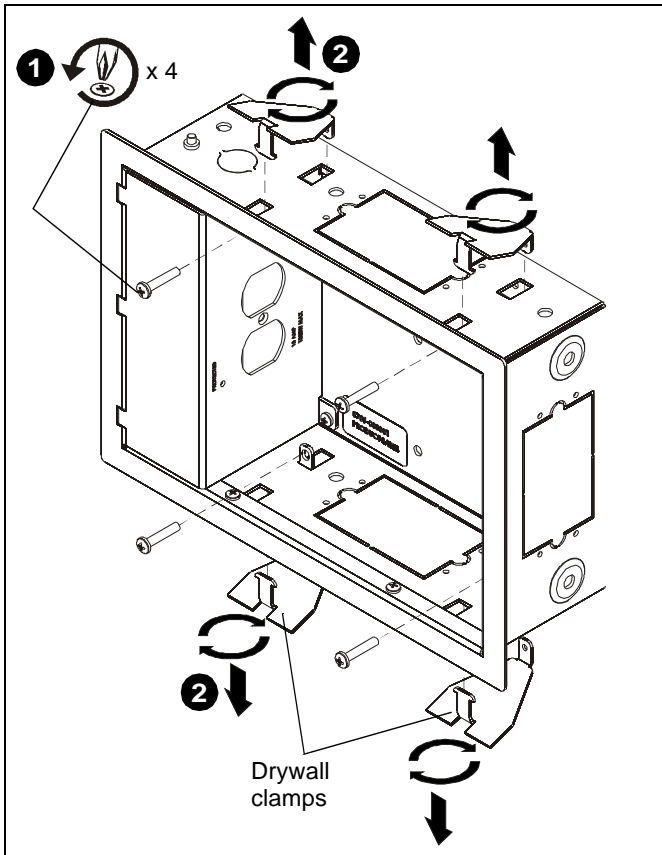


Figure 3

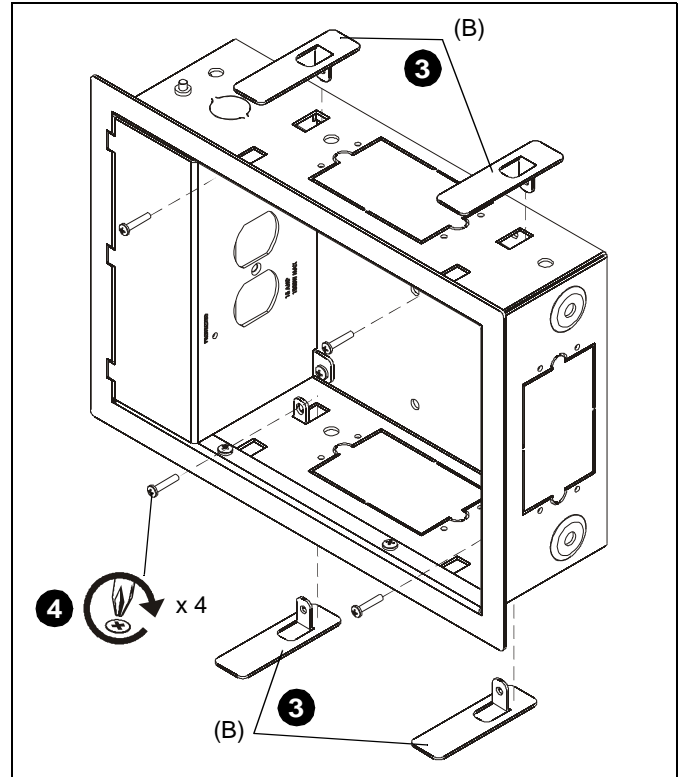


Figure 4



WARNING: ELECTRICAL SHOCK HAZARD! CUTTING OR DRILLING INTO ELECTRICAL WIRES OR CABLES CAN CAUSE DEATH OR SERIOUS PERSONAL INJURY! ALWAYS make certain area behind mounting surfaces is free of electrical wires and cables before cutting, drilling, or installing fasteners.

NOTE: When installing the PAC521N to either wood or metal studs, there is the option to remove the trim before installation. (See Figure 5)

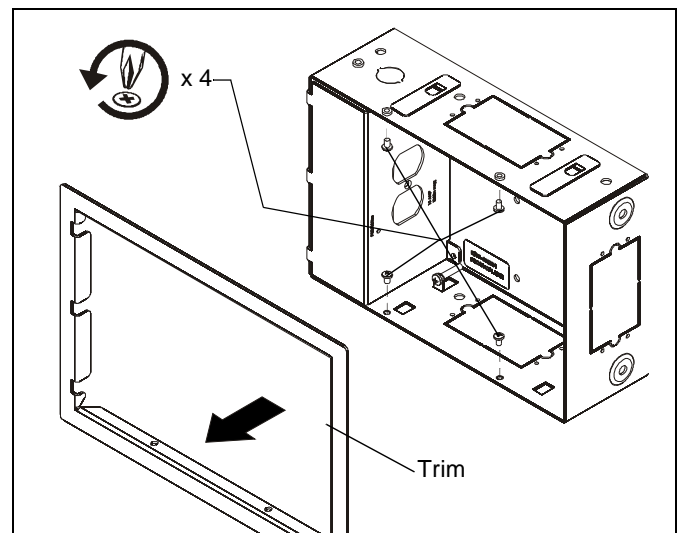


Figure 5

PAC521N Installation

1. Secure PAC521N to studs. (See Figure 6)

WOOD STUD (16" on center, 2" x 4" wood stud):

1. Drill at least two to four 3/16" diameter pilot holes in studs at mounting holes.
2. Install PAC521N with two to four M7 x 40mm Allen head connector screws (E) into pilot holes using the M4 Allen head drill bit (F).

STEEL STUD (2" x 4" / 25ga minimum):

Steel stud type and structural strength must conform to the North American Specification for the Design of Cold-Formed Steel Structural Members [362, 125 18, C-Shape, S-Stud Section] with 1/2" minimum drywall thickness on both sides of stud.

1. Drill at least two to four 1/4" diameter pilot holes in studs at mounting holes.
2. Install PAC521N with two to four 1/4" x 2" Phillips flat head self-drilling screws (D) into pilot holes.

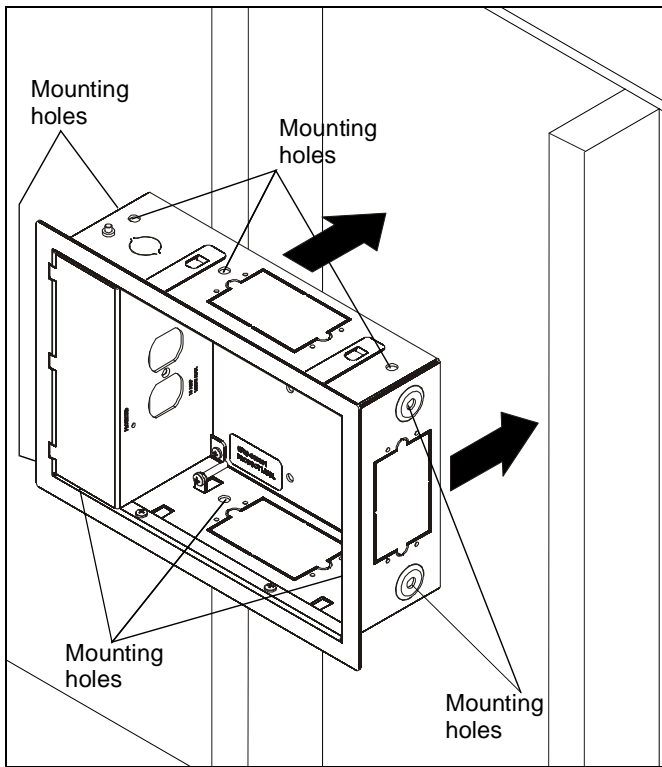


Figure 6



DANGER: IMPROPER WIRING CAN LEAD TO DEATH OR SEVERE PERSONAL INJURY! Grounding must be installed by qualified personnel using a UL Recognized No. 12AWG Green grounding wire connected to grounding lug on mount.



WARNING: ELECTRICAL SHOCK HAZARD! Turn off power to device before performing service.

NOTE: The grounding lug is located in one of two locations and can be moved to the other location if necessary. (See Figure 7)

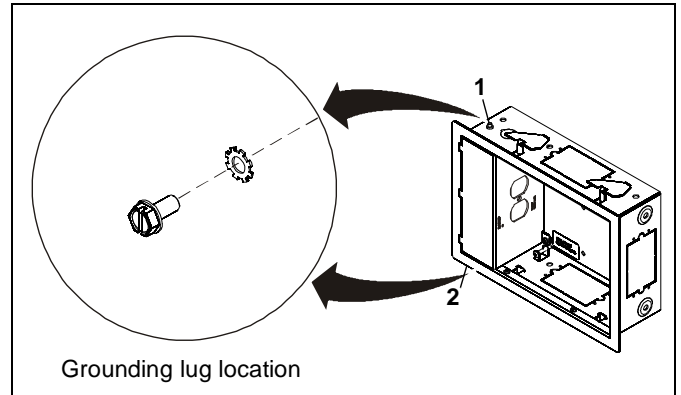


Figure 7



Our Mounts. **Your Vision.**

Chief, a products division of
Milestone AV Technologies

8800-002551 Rev00
©2014 Milestone AV Technologies
www.chiefmfg.com
03/14

USA/International	A 6436 City West Parkway, Eden Prairie, MN 55344 P 800.582.6480 / 952.225.6000 F 877.894.6918 / 952.894.6918
Europe	A Franklinstraat 14, 6003 DK Weert, Netherlands P +31 (0) 495 580 852 F +31 (0) 495 580 845
Asia Pacific	A Office No. 1 on 12/F, Shatin Galleria 18-24 Shan Mei Street Fotan, Shatin, Hong Kong P 852 2145 4099 F 852 2145 4477

