

# INSTALLATION INSTRUCTIONS

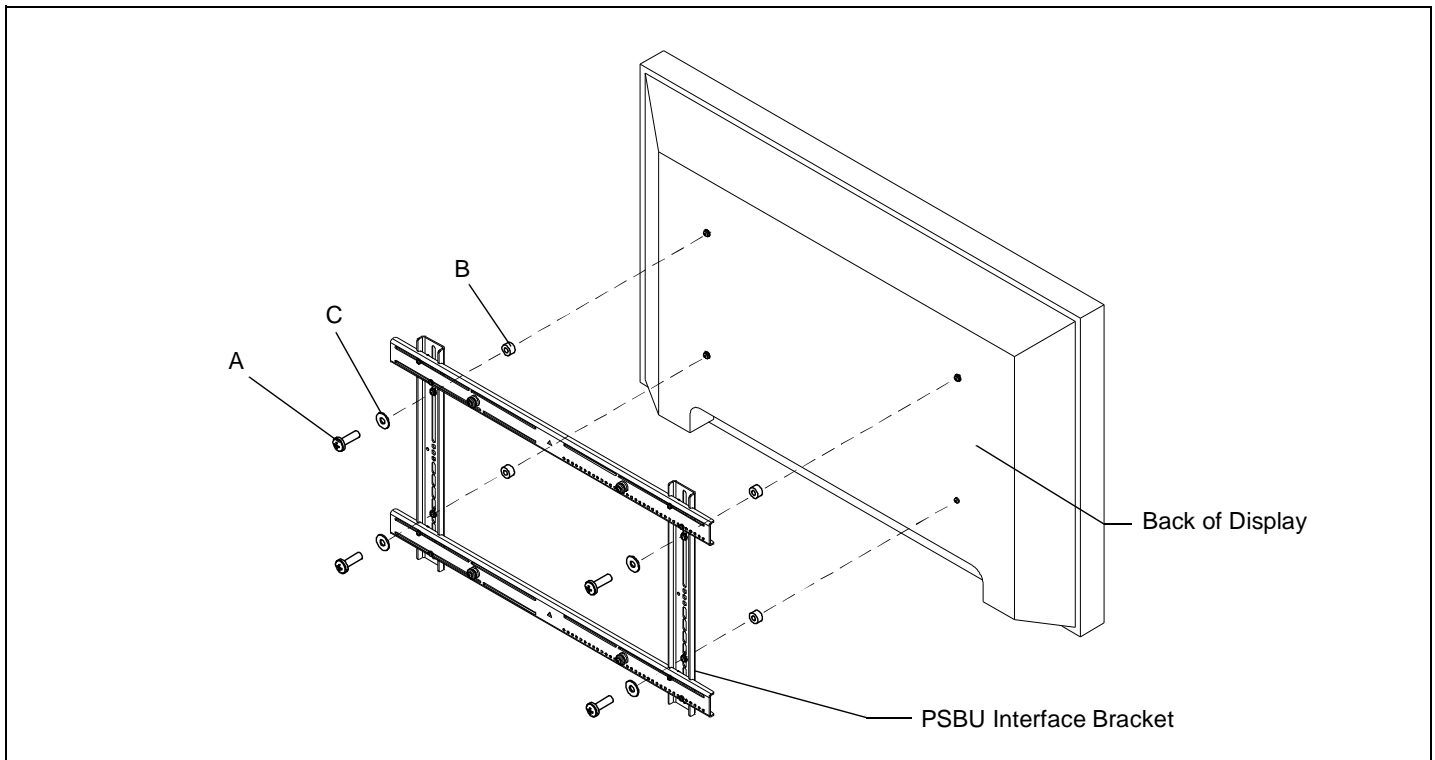
## PAC60 60mm Hardware Kit

Unpack carton and verify kit contents. If any listed parts are missing, immediately contact a Chief Customer Service representative by calling 1-800-582-6480.



**WARNING: IMPROPER INSTALLATION CAN LEAD TO EQUIPMENT FALLING CAUSING SERIOUS PERSONAL INJURY AND DAMAGE TO EQUIPMENT! DO NOT substitute hardware. Use only hardware supplied by manufacturer!**

- A (4) Screw, Hex head cap, M8 x 60mm      C (4) Washer, Flat, 5/16"  
B (4) Spacer, 3/4" O.D. x 1/2" long



### Installation:



**WARNING: OVERTIGHTENING OF SCREWS CAN DAMAGE PARTS AND LEAD TO SERIOUS PERSONAL INJURY AND DAMAGE TO EQUIPMENT! DO NOT over tighten screws when installing Interface bracket.**

1. Align four 1/2" long spacers (B) with mounting holes in back of display.
2. Place interface bracket over spacers (B) and align mounting slots in interface bracket with holes in spacers.
3. Secure Interface bracket to display using four M4 x 60mm hex head cap screws.

Milestone AV Technologies, and its affiliated corporations and subsidiaries (collectively, "Milestone"), intend to make this manual accurate and complete. However, Milestone makes no claim that the information contained herein covers all details, conditions or variations, nor does it provide for every possible contingency in connection with the installation or use of this product. The information contained in this document is subject to change without notice or obligation of any kind. Milestone makes no representation of warranty, expressed or implied, regarding the information contained herein. Milestone assumes no responsibility for accuracy, completeness or sufficiency of the information contained in this document.