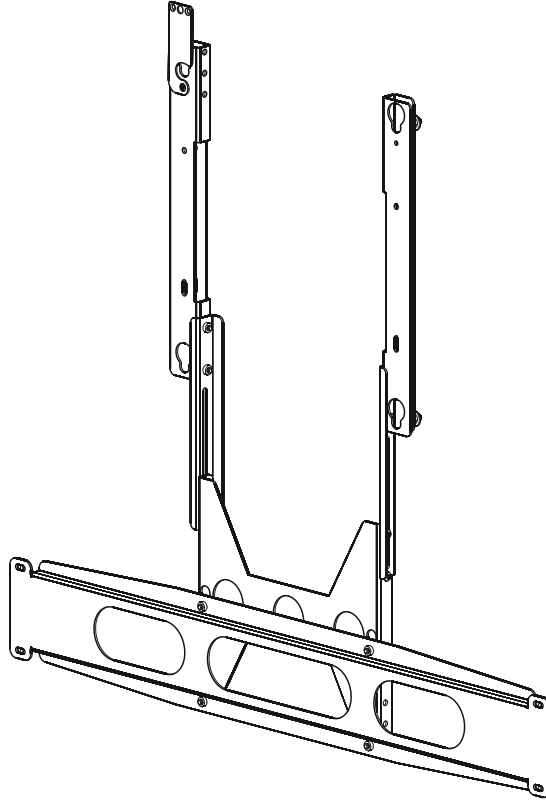


# INSTALLATION INSTRUCTIONS



---

**Speaker Mount Adapter**

---

**DISCLAIMER**

CSAV, Inc., and its affiliated corporations and subsidiaries (collectively, "CSAV"), intend to make this manual accurate and complete. However, CSAV makes no claim that the information contained herein covers all details, conditions or variations, nor does it provide for every possible contingency in connection with the installation or use of this product. The information contained in this document is subject to change without notice or obligation of any kind. CSAV makes no representation of warranty, expressed or implied, regarding the information contained herein. CSAV assumes no responsibility for accuracy, completeness or sufficiency of the information contained in this document.

**! IMPORTANT WARNINGS AND CAUTIONS!**

**! WARNING:** A WARNING alerts you to the possibility of serious injury or death if you do not follow the instructions.

**! CAUTION:** A CAUTION alerts you to the possibility of damage or destruction of equipment if you do not follow the corresponding instructions.

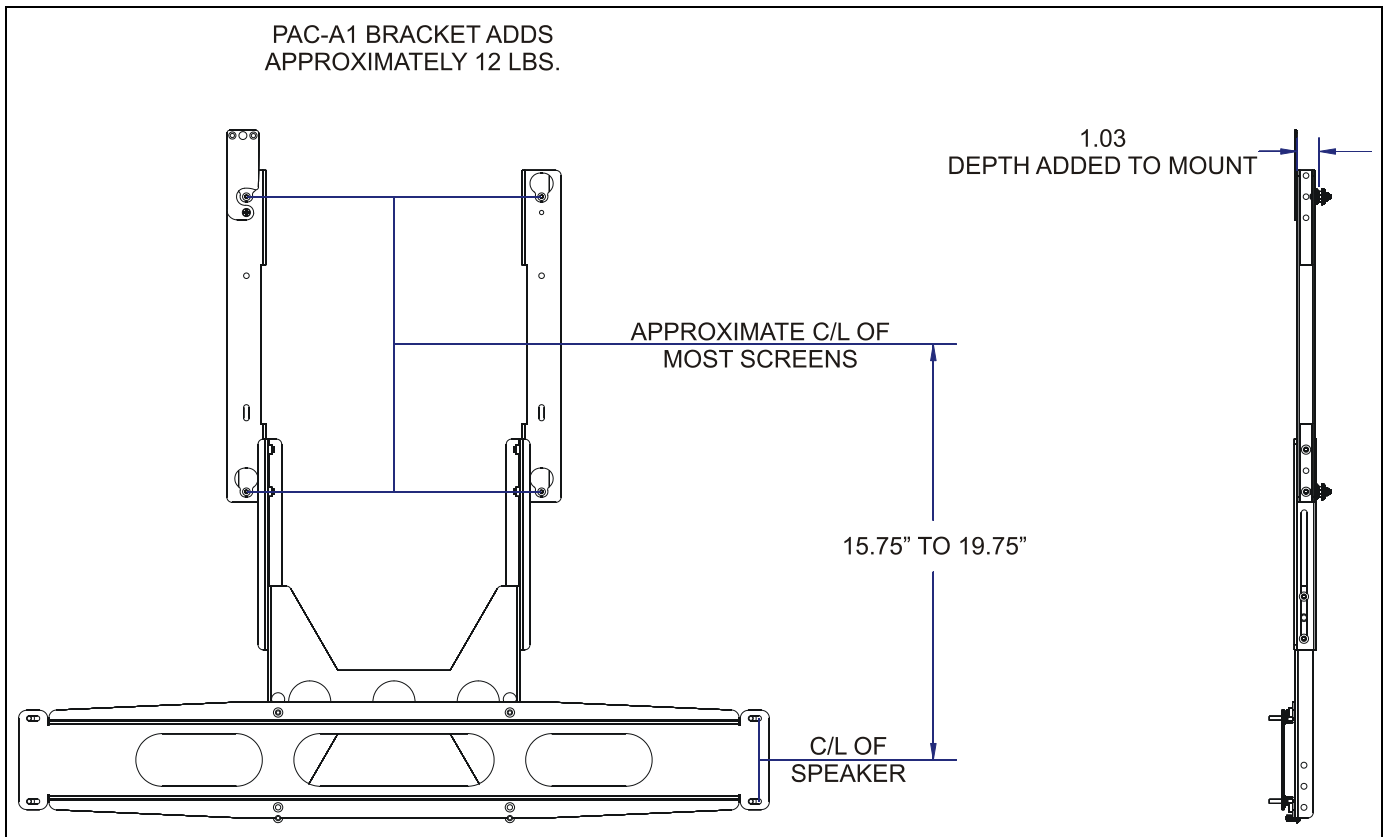
**! WARNING:** Failure to read, thoroughly understand, and follow all instructions can result in serious personal injury, damage to equipment, or voiding of factory warranty! It is the installer's responsibility to make sure all components are properly assembled and installed using the instructions provided.

**! WARNING:** Failure to provide adequate structural strength for this component can result in serious personal injury or damage to equipment! It is the installer's responsibility to make sure the structure to which this component is attached can support five times the combined weight of all equipment. Reinforce the structure as required before installing the component.

**! WARNING:** Exceeding the weight capacity can result in serious personal injury or damage to equipment! It is the installer's responsibility to make sure the combined weight of all components does not exceed the weight rating of the product to which this accessory is attached.

- The PAC-A1 bracket adds approximately 12 lbs (5.4 kg).

**DIMENSIONS**



**LEGEND**

|  |                              |
|--|------------------------------|
|  | <b>Tighten Fastener</b>      |
|  | Apretar elemento de fijación |
|  | Befestigungsteil festziehen  |
|  | Apertar fixador              |
|  | Serrare il fissaggio         |
|  | Bevestiging vastdraaien      |
|  | Serrez les fixations         |

|  |                    |
|--|--------------------|
|  | <b>Pencil Mark</b> |
|  | Marcar con lápiz   |
|  | Stiftmarkierung    |
|  | Marcar com lápis   |
|  | Segno a matita     |
|  | Potloodmerkten     |
|  | Marquage au crayon |

|  |                              |
|--|------------------------------|
|  | <b>Loosen Fastener</b>       |
|  | Aflojar elemento de fijación |
|  | Befestigungsteil lösen       |
|  | Desapertar fixador           |
|  | Allentare il fissaggio       |
|  | Bevestiging losdraaien       |
|  | Desserrez les fixations      |

|  |                   |
|--|-------------------|
|  | <b>Drill Hole</b> |
|  | Perforar          |
|  | Bohrloch          |
|  | Fazer furo        |
|  | Praticare un foro |
|  | Gat boren         |
|  | Percez un trou    |

|  |                               |
|--|-------------------------------|
|  | <b>Phillips Screwdriver</b>   |
|  | Destornillador Phillips       |
|  | Kreuzschlitzschraubendreher   |
|  | Chave de fendas Phillips      |
|  | Cacciavite a stella           |
|  | Kruiskopschroevendraaier      |
|  | Tournevis à pointe cruciforme |

|  |               |
|--|---------------|
|  | <b>Adjust</b> |
|  | Ajustar       |
|  | Einstellen    |
|  | Ajustar       |
|  | Regolare      |
|  | Afstellen     |
|  | Ajuster       |

|  |                          |
|--|--------------------------|
|  | <b>Open-Ended Wrench</b> |
|  | Llave de boca            |
|  | Gabelschlüssel           |
|  | Chave de bocas           |
|  | Chiave a punta aperte    |
|  | Steeksleutel             |
|  | Clé à fourche            |

|  |               |
|--|---------------|
|  | <b>Remove</b> |
|  | Quitar        |
|  | Entfernen     |
|  | Remover       |
|  | Rimuovere     |
|  | Verwijderen   |
|  | Retirez       |

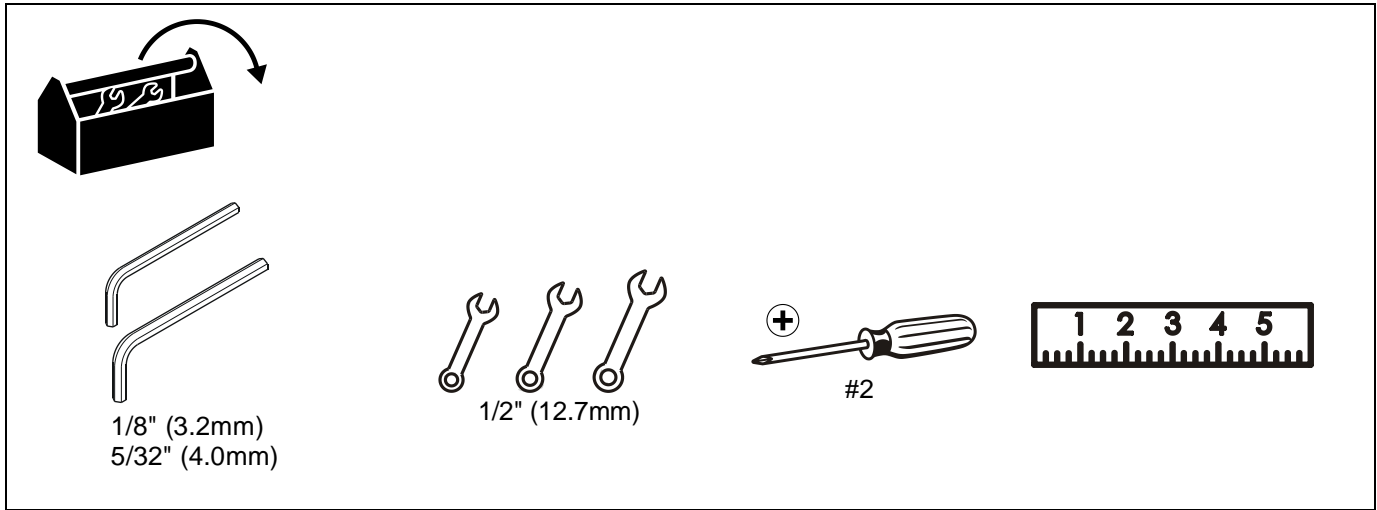
|  |                |
|--|----------------|
|  | <b>By Hand</b> |
|  | A mano         |
|  | Von Hand       |
|  | Com a mão      |
|  | A mano         |
|  | Met de hand    |
|  | À la main      |

|  |                 |
|--|-----------------|
|  | <b>Optional</b> |
|  | Opcional        |
|  | Optional        |
|  | Opcional        |
|  | Opzionale       |
|  | Optie           |
|  | En option       |

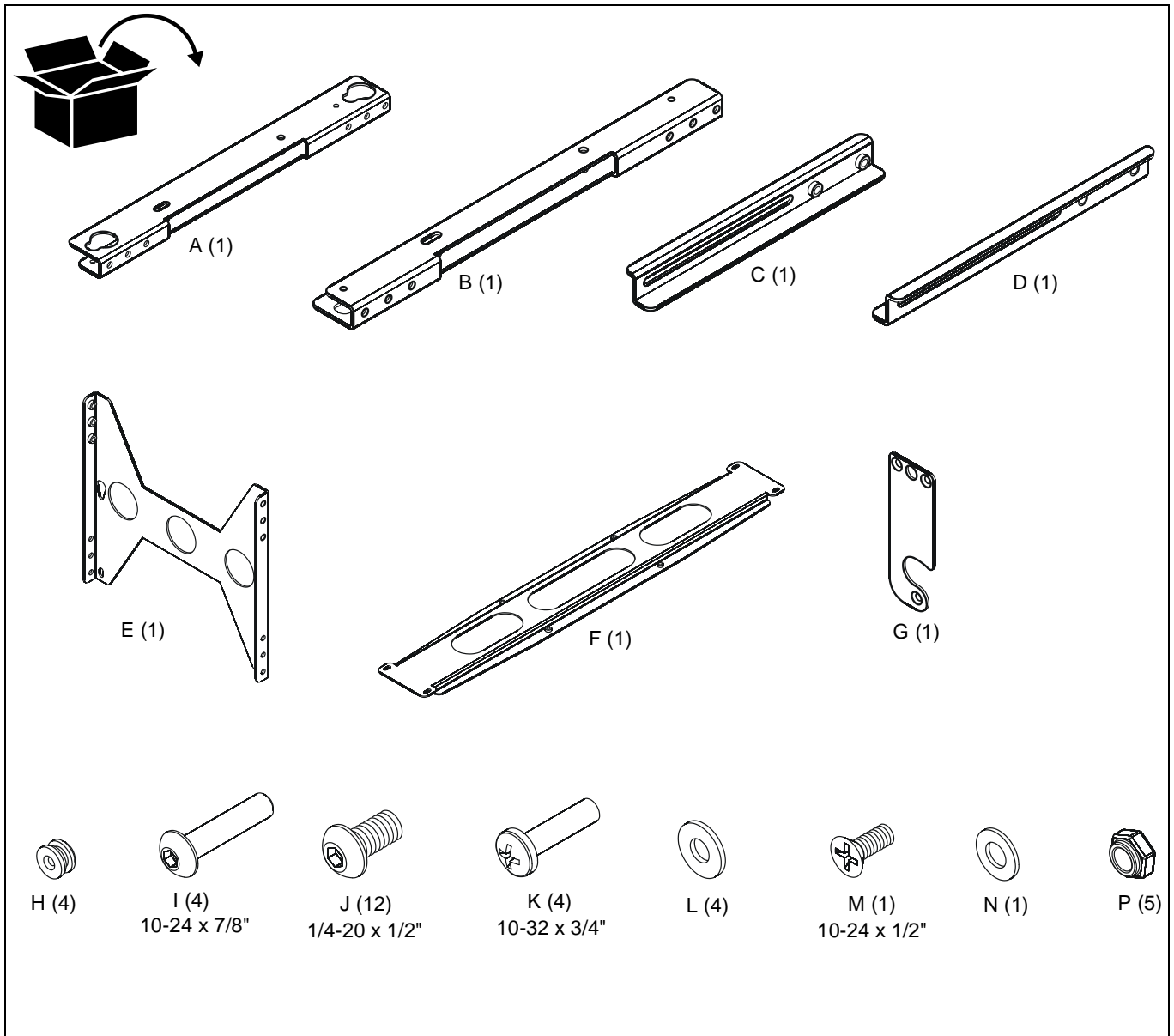
|  |                           |
|--|---------------------------|
|  | <b>Hex-Head Wrench</b>    |
|  | Llave de cabeza hexagonal |
|  | Sechskantschlüssel        |
|  | Chave de cabeça sextavada |
|  | Chiave esagonale          |
|  | Zeskantsleutel            |
|  | Clé à tête hexagonale     |

|  |                        |
|--|------------------------|
|  | <b>Security Wrench</b> |
|  | Llave de seguridad     |
|  | Sicherheitsschlüssel   |
|  | Chave de segurança     |
|  | Chiave di sicurezza    |
|  | Veiligheidsleutel      |
|  | Clé de sécurité        |

**TOOLS REQUIRED FOR INSTALLATION**



**PARTS**



## Assembly And Installation

### Center Speaker Mounting Bracket Assembly

1. Assemble L.H. bottom speaker mounting bracket (D) to center speaker mounting bracket (E) using two 1/4-20 x 1/2" button head cap screws (J). (See Figure 1)
2. Assemble R.H. bottom speaker mounting bracket (C) to center speaker mounting bracket (E) using two 1/4-20 x 1/2" button head cap screws (J). (See Figure 1)

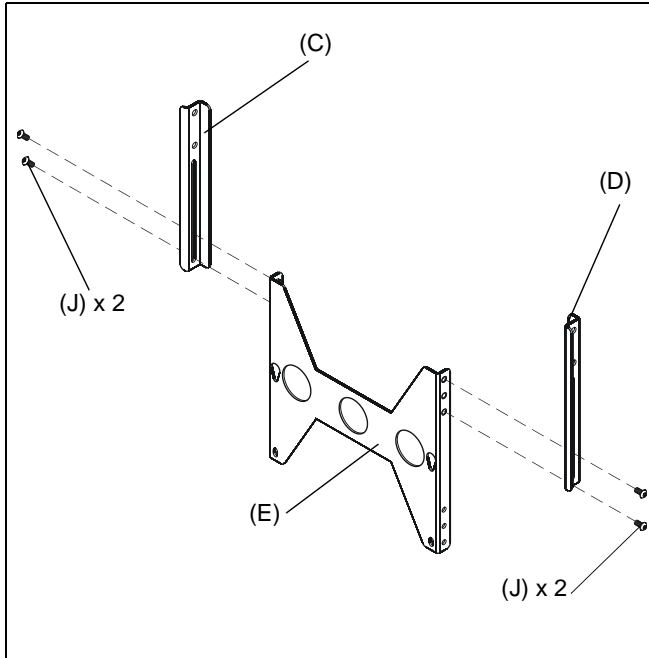


Figure 1

### Upper Speaker Mounting Bracket Assembly

1. Assemble L.H. speaker mounting bracket (A) to L.H. bottom speaker mounting bracket (D) using two 1/4-20 x 1/2" button head cap screws (J). (See Figure 2)
2. Assemble R.H. speaker mounting bracket (B) to R.H. bottom speaker mounting bracket (C) using two 1/4-20 x 1/2" button head cap screws (J). (See Figure 2)
3. Tighten all hardware.

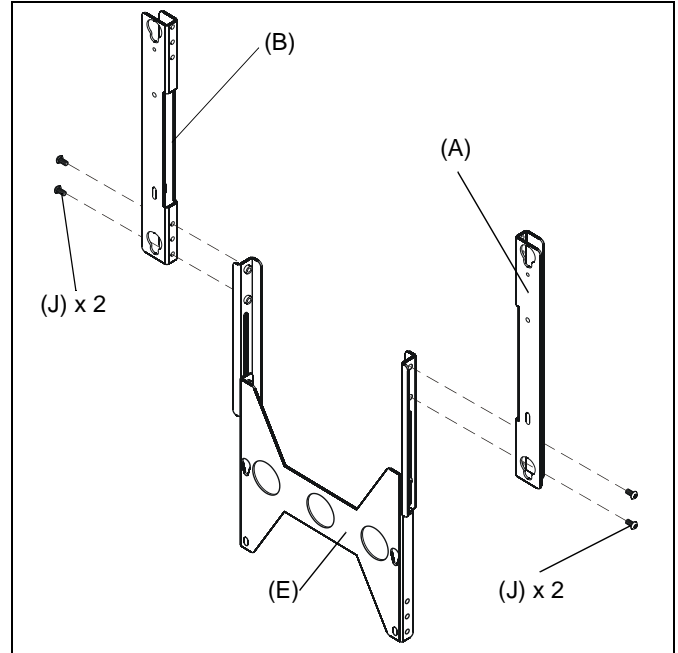


Figure 2

### Assemble Latching Flag to Speaker Adapter

1. Assemble one 10-24 x 1/2" Phillips machine screw (M) through the latching flag (G) and one spacer (N).
2. Assemble latching flag (G) with Phillips machine screw (M) and spacer (N) through R.H. speaker mounting bracket (B). (See Figure 3)
3. Secure latching flag (G) to R.H. speaker mounting bracket (B) using one Nylock nut (P). (See Figure 3)

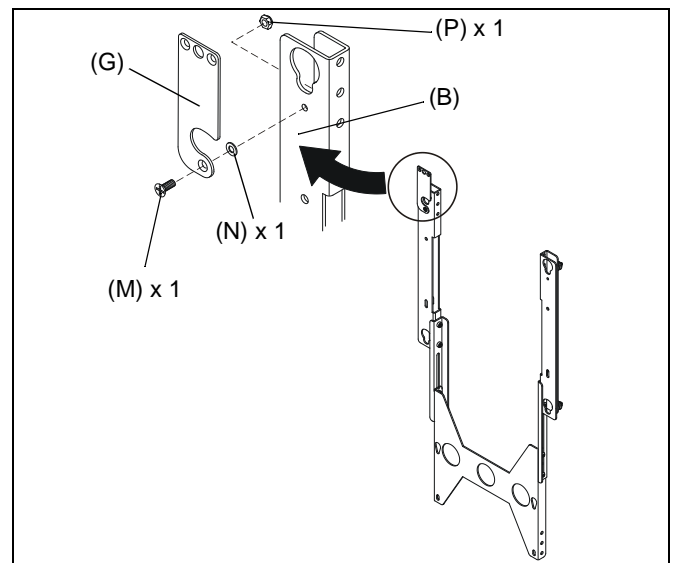
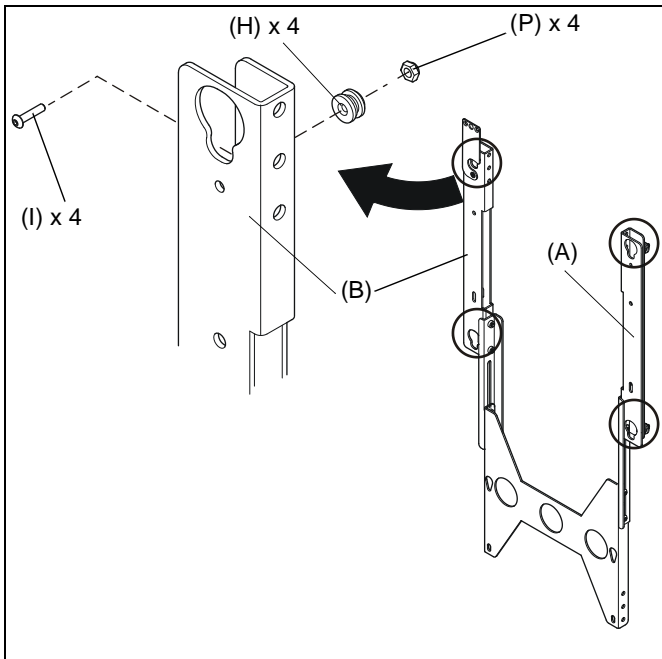


Figure 3

### Assemble Mounting Buttons to Speaker Mounting Bracket

1. Assemble two 10-24 x 7/8" button head cap screws (I) through upper and lower holes in back side of R.H. speaker mounting bracket (B). (See Figure 4)

- Assemble two mounting buttons (H) onto two button head cap screws (I) into R.H. speaker mounting bracket (B).

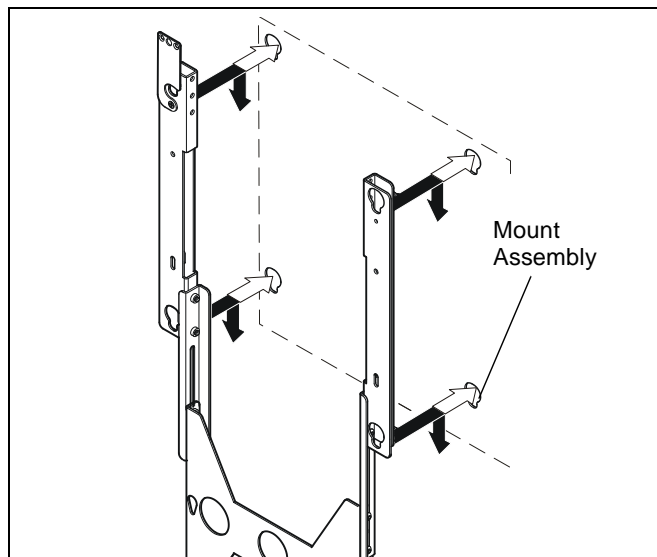


**Figure 4**

- Secure mounting buttons (H) to R.H. speaker mounting bracket (B) using two Nylock nuts (P). (See Figure 4)
- Assemble two 10-24 x 7/8" button head cap screws (I) through upper and lower holes in back side of L.H. speaker mounting bracket (A). (See Figure 4)
- Assemble two mounting buttons (H) onto two button head cap screws (I) in L.H. speaker mounting bracket (A). (See Figure 4)
- Secure mounting buttons (H) to L.H. speaker mounting bracket (A) using two Nylock nuts (P). (See Figure 4)

**Mount Installation**

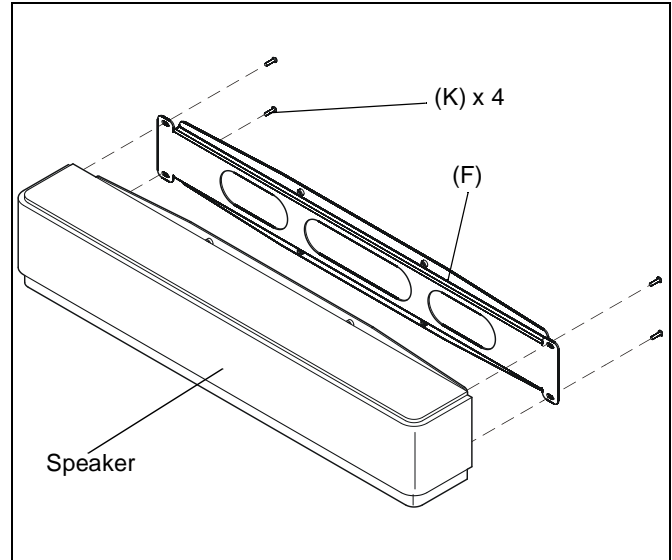
- Install speaker adapter accessory on mount following the instructions provided with the mount. (See Figure 5)



**Figure 5**

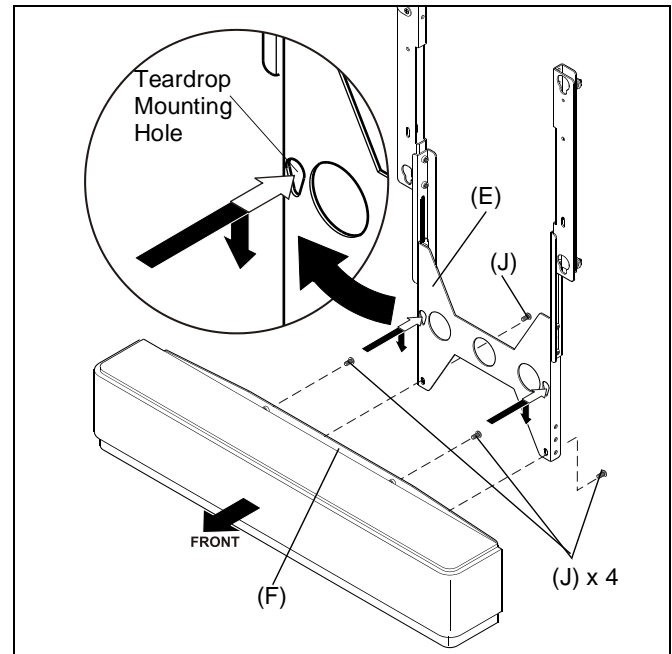
**Center Speaker Assembly**

- Secure center speaker adapter (F) to speaker with four 10-32 x 3/4" Phillips head screws (K). (See Figure 6)



**Figure 6**

- Insert two 1/4-20 x 1/2" button head cap screws (J) into the center speaker adapter (F). (See Figure 7)
- Assemble center speaker adapter (F) to center speaker mounting bracket (E) by sliding two button head cap screws (J) through the teardrop mounting holes in center speaker mounting bracket.
- Lower adapter (F) until button head cap screws (J) are seated in lower area of teardrop mounting holes. (See Figure 7)

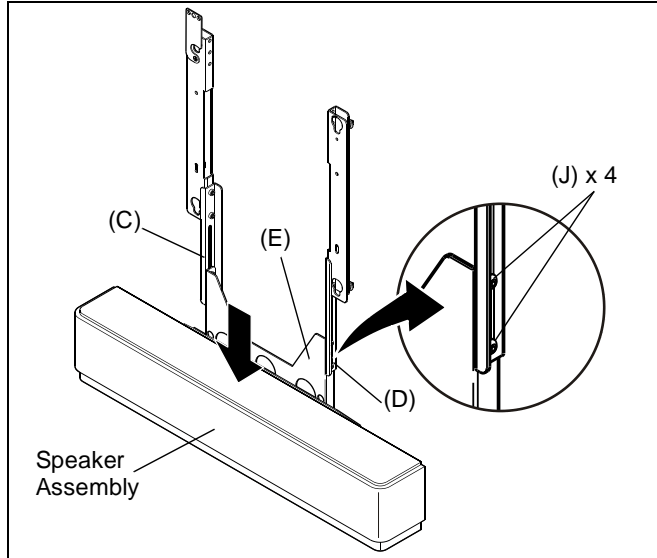


**Figure 7**

- Tighten two upper button head cap screws (J).
- Install two 1/4-20 x 1/2" button head cap screws (J) through center speaker mounting bracket (E) and into the lower

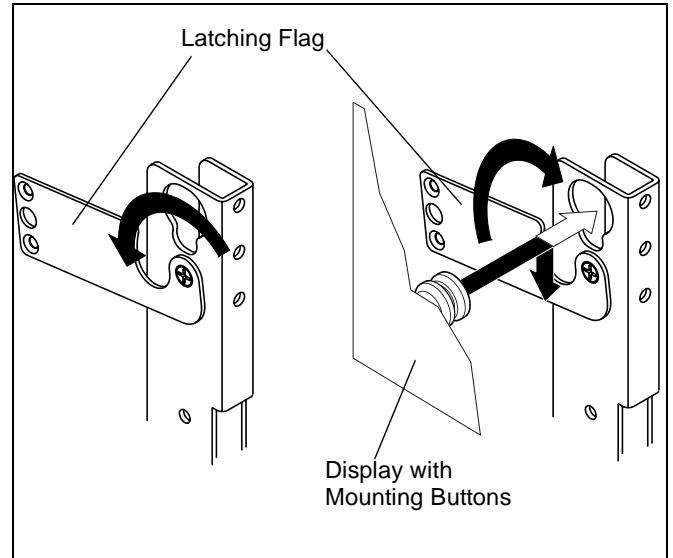
mounting holes in center speaker adapter (F). (See Figure 7)

7. While supporting speaker assembly, loosen four button head cap screws (J) securing R.H. and L.H. bottom speaker mounting brackets (C, D) to center speaker mounting bracket (E) and move speaker assembly to lowest position. (See Figure 8)



**Figure 8**

8. Open latching flag (G). (See Figure 9)
9. Attach PSB interface bracket to display following the instructions included with the PSB.
10. Slide mounting buttons on PSB interface bracket into teardrop holes in R.H. and L.H. speaker mounting brackets (C, D). (See Figure 9)
11. Lower display until recessed area of mounting buttons is seated in lower area of teardrop mounting holes in R.H. and L.H. speaker mounting brackets (C, D).
12. Close latching flag to secure display to speaker adapter accessory. (See Figure 9)



**Figure 9**

13. Route wires and cables.
14. Raise speaker assembly to desired position and secure by tightening four 1/4-20 x 1/2" button head cap screws (J) securing R.H. and L.H. bottom speaker mounting brackets (C, D) to center speaker mounting bracket (E).



8800-000062  
©2006 Chief Manufacturing  
[www.chiefmfg.com](http://www.chiefmfg.com)  
11/06

|                          |                                                                                                                                                                                                                                     |
|--------------------------|-------------------------------------------------------------------------------------------------------------------------------------------------------------------------------------------------------------------------------------|
| <b>USA/International</b> | <b>A</b> 8401 Eagle Creek Parkway, Savage, MN 55378<br><b>P</b> 800.582.6480 / 952.894.6280<br><b>F</b> 877.894.6918 / 952.894.6918                                                                                                 |
| <b>Europe</b>            | <b>A</b> Fellenoord 130 5611 ZB EINDHOVEN, The Netherlands<br><b>P</b> +31 (0)40 2668620<br><b>F</b> +31 (0)40 2668615                                                                                                              |
| <b>Asia Pacific</b>      | <b>A</b> Room 30I, Block D, Lily YinDu International Building<br>LuoGang, BuJi Town, Shenzhen, CHINA. Post Code: 518112<br>深圳市布吉罗岗百合银都国际大厦D栋30I<br><b>P</b> +86-755-8996 9226 ; 8996 9236 ; 8996 9220<br><b>F</b> +86-755-8996 9217 |