

INSTALLATION INSTRUCTIONS

PAC-GB1 (Metal Single Gang Box)

The PAC-GB1 kit is designed for use with Chief® Series Mounts. See the specific installation instructions provided with the mount for additional installation information.

Unpack and verify kit contents. If any listed parts are missing, immediately contact a Chief Customer Service representative.

⚠ WARNING: IMPROPER INSTALLATION CAN RESULT DEATH OR SERIOUS PERSONAL INJURY! This accessory should be installed by qualified personnel.

⚠ WARNING: EXPLOSION AND FIRE HAZARD! CUTTING OR DRILLING INTO GAS PLUMBING CAN CAUSE DEATH OR SERIOUS PERSONAL INJURY! ALWAYS make certain area behind mounting surfaces is free of gas, water, waste, or any other plumbing before cutting, drilling, or installing fasteners.

1. Install metal single gang box (A) into the in-wall enclosure using four 08 x 1/2" Phillips pan head tap screws (B). (See Figure 1)

(Qty)	Description
A	(1) Metal Single Gang Box
B	(4) Screw, Phillips Pan Head, 08 x 1/2"

PARTS

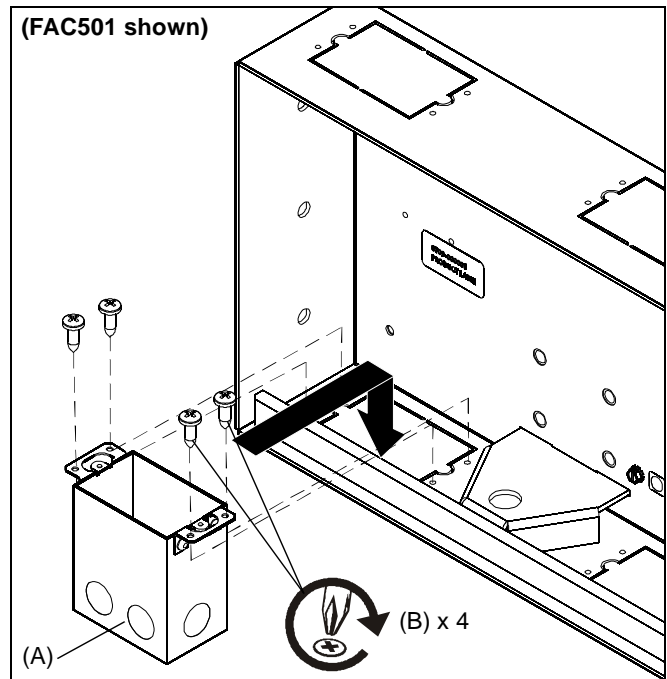
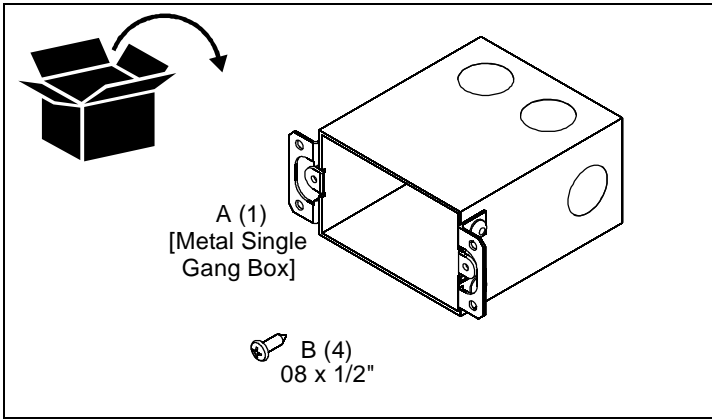


Figure 1

⚠ WARNING: ELECTRICAL SHOCK HAZARD! CUTTING OR DRILLING INTO ELECTRICAL WIRES OR CABLES CAN CAUSE DEATH OR SERIOUS PERSONAL INJURY! ALWAYS make certain area behind mounting surfaces is free of electrical wires and cables before cutting, drilling, or installing fasteners.

2. Continue installation following the instructions included with the in-wall enclosure.

©Chief is a registered trademark of Milestone AV Technologies. All rights reserved.

Milestone AV Technologies, and its affiliated corporations and subsidiaries (collectively, "Milestone"), intend to make this manual accurate and complete. However, Milestone makes no claim that the information contained herein covers all details, conditions or variations, nor does it provide for every possible contingency in connection with the installation or use of this product. The information contained in this document is subject to change without notice or obligation of any kind. Milestone makes no representation of warranty, expressed or implied, regarding the information contained herein. Milestone assumes no responsibility for accuracy, completeness or sufficiency of the information contained in this document.



Our Mounts. Your Vision.

Chief Manufacturing, a products division of
Milestone AV Technologies

8401 Eagle Creek Parkway, Savage, MN 55378

• P: 800.582.6480 / 952.894.6280 • F: 877.894.6918 / 952.894.6918

8807-002007 Rev00

©2009 Milestone AV Technologies,
a Duchossois Group Company

www.chiefmfg.com

06/09