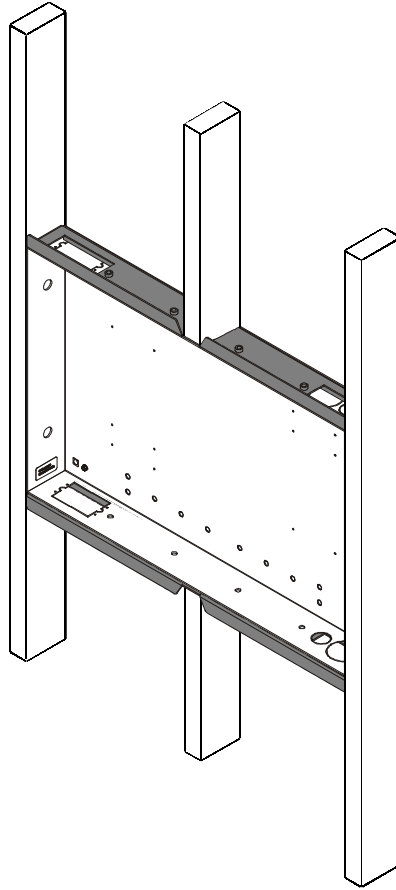

INSTALLATION INSTRUCTIONS



IN-WALL ENCLOSURE FRAMING KIT

DISCLAIMER

Milestone AV Technologies and its affiliated corporations and subsidiaries (collectively "Milestone"), intend to make this manual accurate and complete. However, Milestone makes no claim that the information contained herein covers all details, conditions or variations, nor does it provide for every possible contingency in connection with the installation or use of this product. The information contained in this document is subject to change without notice or obligation of any kind. Milestone makes no representation of warranty, expressed or implied, regarding the information contained herein. Milestone assumes no responsibility for accuracy, completeness or sufficiency of the information contained in this document.

Chief® is a registered trademark of Milestone AV Technologies. All rights reserved.

! IMPORTANT WARNINGS AND CAUTIONS!

! WARNING: A WARNING alerts you to the possibility of serious injury or death if you do not follow the instructions.

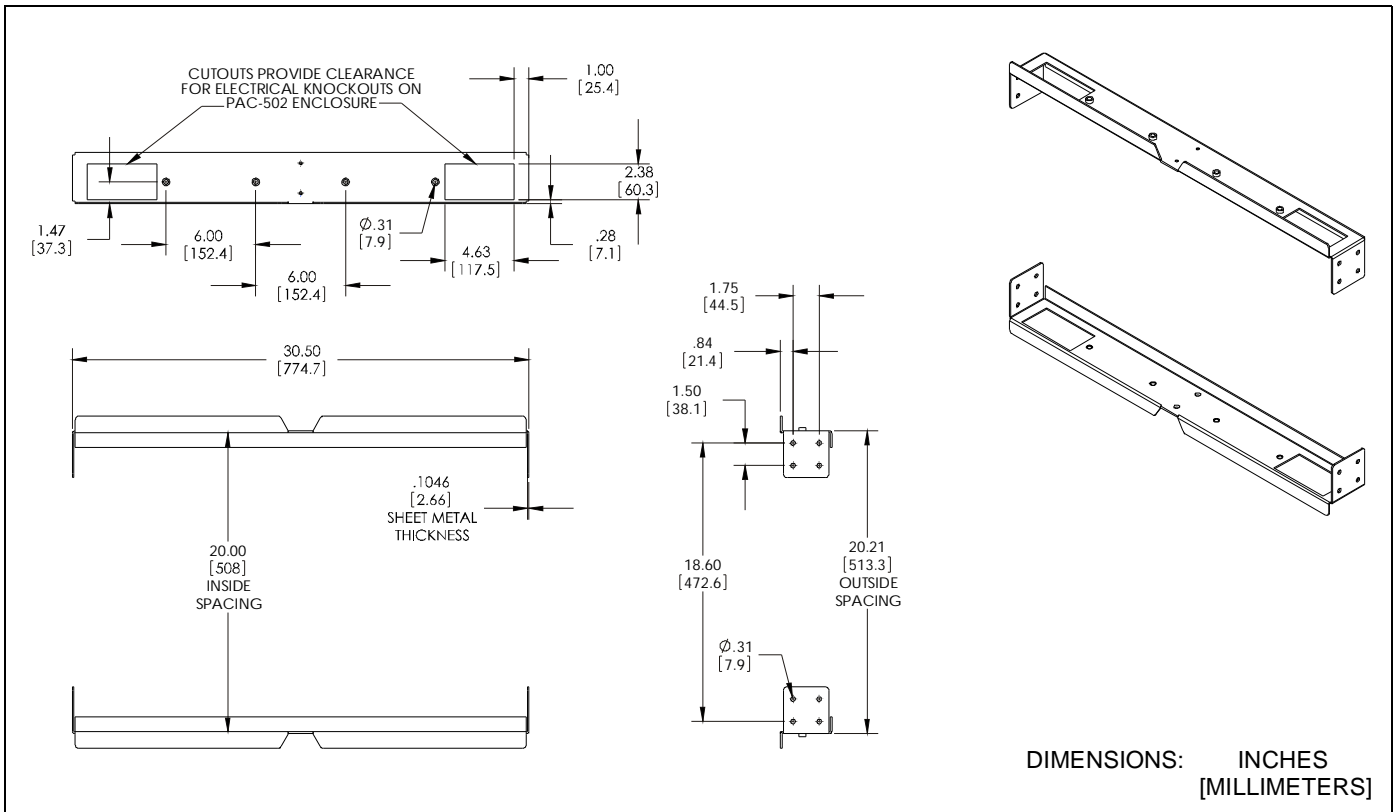
! CAUTION: A CAUTION alerts you to the possibility of damage or destruction of equipment if you do not follow the corresponding instructions.

! WARNING: Failure to read, thoroughly understand, and follow all instructions can result in serious personal injury, damage to equipment, or voiding of factory warranty! It is the installer's responsibility to make sure all components are properly assembled and installed using the instructions provided.


! WARNING: This equipment must be installed and assembled by qualified service personnel in accordance with local building codes. The wall to which the mount is being attached may have a maximum drywall thickness of 5/8" (1.6cm).


! WARNING: Failure to provide adequate structural strength for this accessory can result in serious personal injury or damage to equipment! It is the installer's responsibility to make sure the structure to which this accessory is attached can support the combined weight of the PAC-502 accessory and all attached equipment not to exceed 200 lbs (90.72 kg).

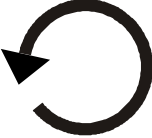
DIMENSIONS





LEGEND


	Tighten Fastener
	Apretar elemento de fijación
	Befestigungsteil festziehen
	Apertar fixador
	Serrare il fissaggio
	Bevestiging vastdraaien
Serrez les fixations	


	Pencil Mark
	Marcar con lápiz
	Stiftmarkierung
	Marcar com lápis
	Segno a matita
	Potloodmerkten
Marquage au crayon	


	Loosen Fastener
	Aflojar elemento de fijación
	Befestigungsteil lösen
	Desapertar fixador
	Allentare il fissaggio
	Bevestiging losdraaien
Desserrez les fixations	


	Drill Hole
	Perforar
	Bohrloch
	Fazer furo
	Praticare un foro
	Gat boren
Percez un trou	


	Phillips Screwdriver
	Destornillador Phillips
	Kreuzschlitzschraubendreher
	Chave de fendas Phillips
	Cacciavite a stella
	Kruiskopschroevendraaier
Tournevis à pointe cruciforme	


	Adjust
	Ajustar
	Einstellen
	Ajustar
	Regolare
	Afstellen
Ajuster	


	Open-Ended Wrench
	Llave de boca
	Gabelschlüssel
	Chave de bocas
	Chiave a punte aperte
	Steeksleutel
Clé à fourche	

	Remove
	Quitar
	Entfernen
	Remover
	Rimuovere
	Verwijderen
Retirez	

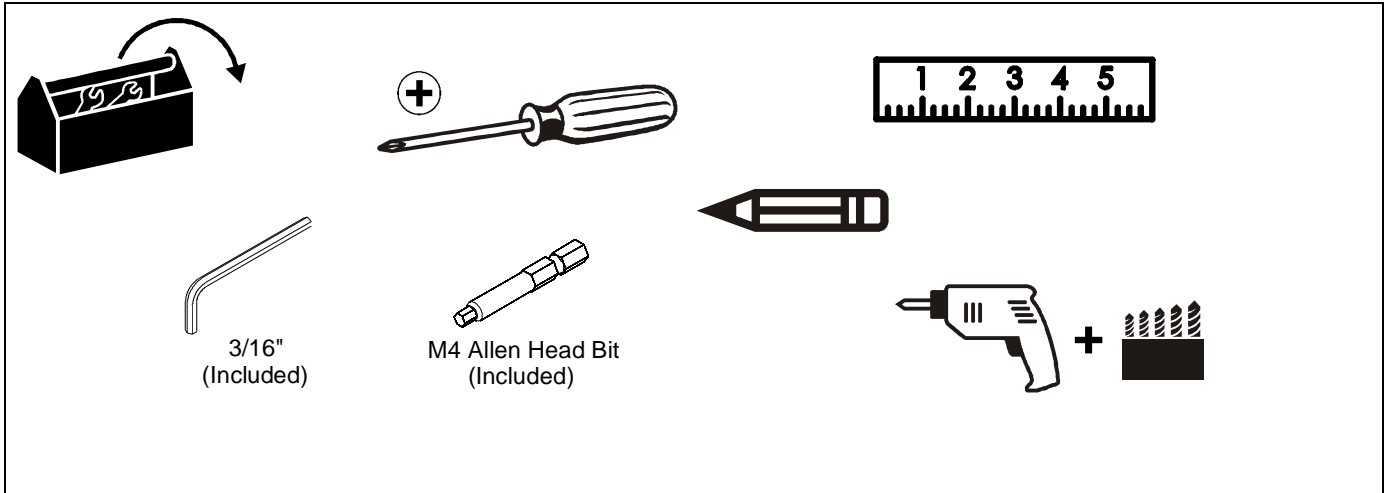
	By Hand
	A mano
	Von Hand
	Com a mão
	A mano
	Met de hand
À la main	

	Optional
	Opcional
	Optional
	Opcional
	Opzionale
	Optie
En option	

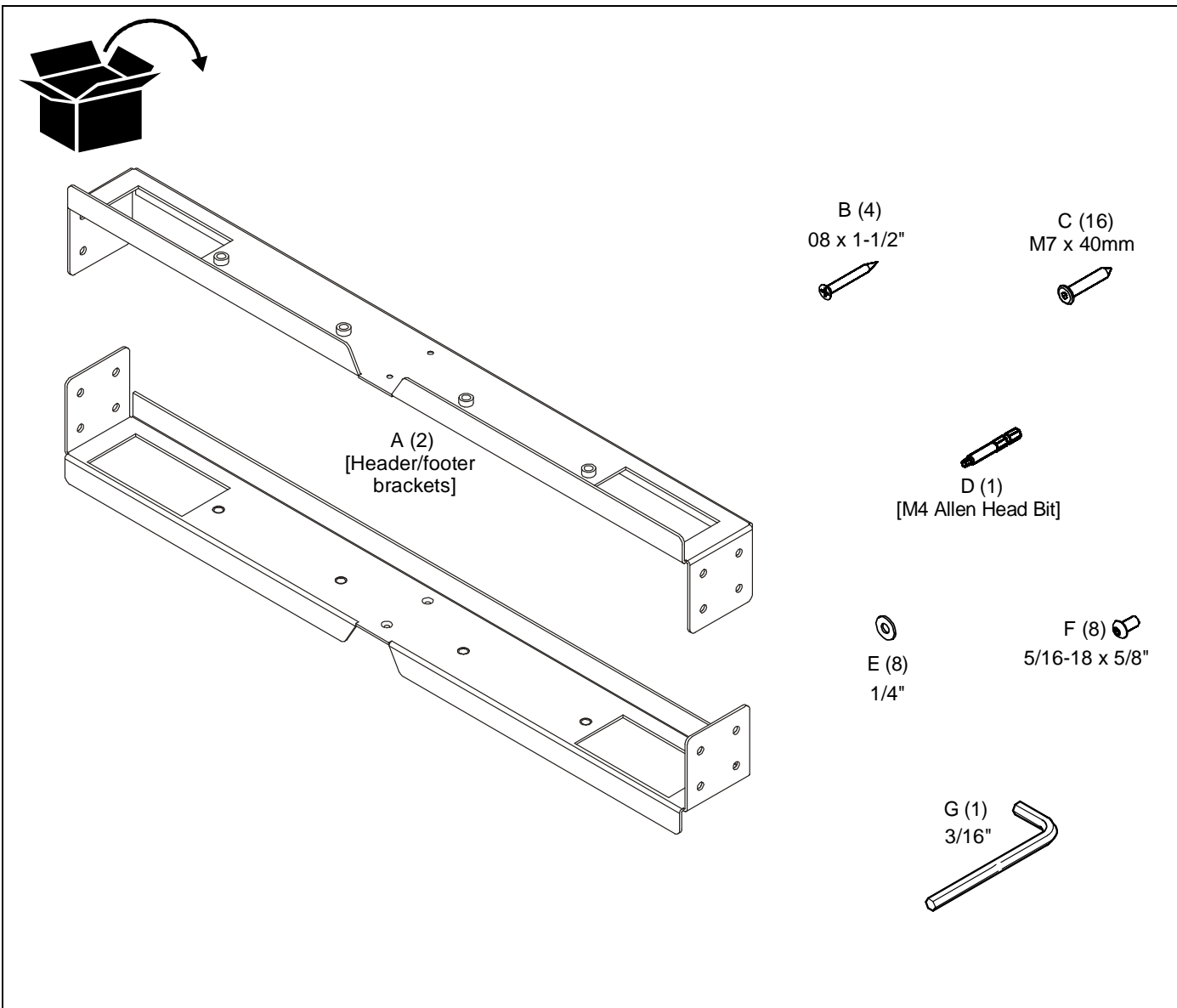
	Hex-Head Wrench
	Llave de cabeza hexagonal
	Sechskantschlüssel
	Chave de cabeça sextavada
	Chiave esagonale
	Zeskantsleutel
Clé à tête hexagonale	

	Security Wrench
	Llave de seguridad
	Sicherheitsschlüssel
	Chave de segurança
	Chiave di sicurezza
	Veiligheidssleutel
Clé de sécurité	

TOOLS REQUIRED FOR INSTALLATION



PARTS



INSTALLATION



WARNING: IMPROPER INSTALLATION CAN RESULT IN DEATH OR SERIOUS PERSONAL INJURY! This accessory should be installed by qualified personnel.

IMPORTANT ! : The following installation procedure assumes that a Chief PAC502 In-Wall Enclosure has been purchased and is available for use during this procedure. Dimensions for creating an opening in the wall without having the PAC-502 as a template can be found below.

Site Preparation

Locate and Prepare Mounting Site

IMPORTANT ! : This accessory is designed for in-wall installation spanning a minimum of three wood studs, 16" on center. Installation of this accessory and the PAC-502 in 2" x 4" wood stud wall results in nearly direct contact with vertical studs and back wall. Inadequate space will remain for electrical wires/cables, plumbing, ductwork, or insulation. Locate installation accordingly.

1. Identify a suitable wall location for the in-wall enclosure.



WARNING: ELECTRICAL SHOCK HAZARD! CUTTING OR DRILLING INTO ELECTRICAL WIRES OR CABLES CAN CAUSE DEATH OR SERIOUS PERSONAL INJURY! ALWAYS make certain area behind mounting surfaces is free of electrical wires and cables before cutting, drilling, or installing fasteners.



WARNING: EXPLOSION AND FIRE HAZARD! CUTTING OR DRILLING INTO GAS PLUMBING CAN CAUSE DEATH OR SERIOUS PERSONAL INJURY! ALWAYS make certain area behind mounting surfaces is free of gas, water, waste, or any other plumbing before cutting, drilling, or installing fasteners.

2. Using a stud sensor, locate and mark studs.
3. Center and level PAC502 housing between marked studs. (See Figure 1)
4. Using PAC502 housing as a template, draw pencil line around housing. (See Figure 1)

NOTE: If the PAC502 is not available mark opening to height dimension (See Figure 2) and to inside stud edge on either side.

5. Cut drywall on *outside* edge of line and remove drywall. (See Figure 1) and (See Figure 2)

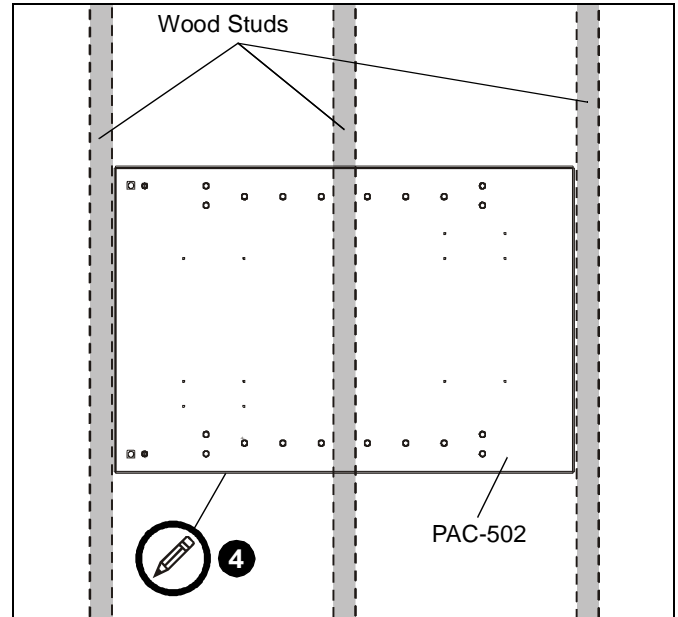


Figure 1

Install PACHFK2 Frame Support Brackets

The exposed portion of the center wood stud must be removed.



WARNING: STRUCTURAL FAILURE HAZARD! FAILURE TO TAKE ADEQUATE PRECAUTIONS CAN LEAD TO DEATH OR SERIOUS INJURY! Ensure removal of center stud will not cause unacceptable loss of structural strength. Consult a qualified building contractor and applicable building codes. (See Figure 2)

1. Remove exposed portion of center stud flush with upper and lower drywall edges. (See Figure 2)

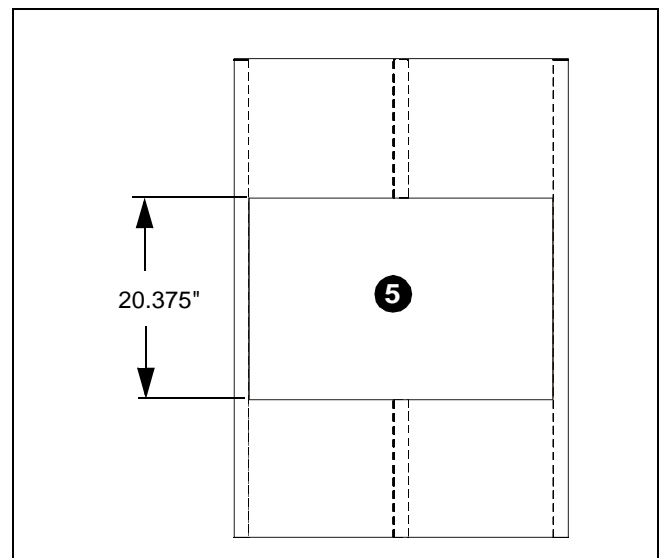


Figure 2

2. Orient header and footer brackets (A) within the cut-out drywall area. (See Figure 3)

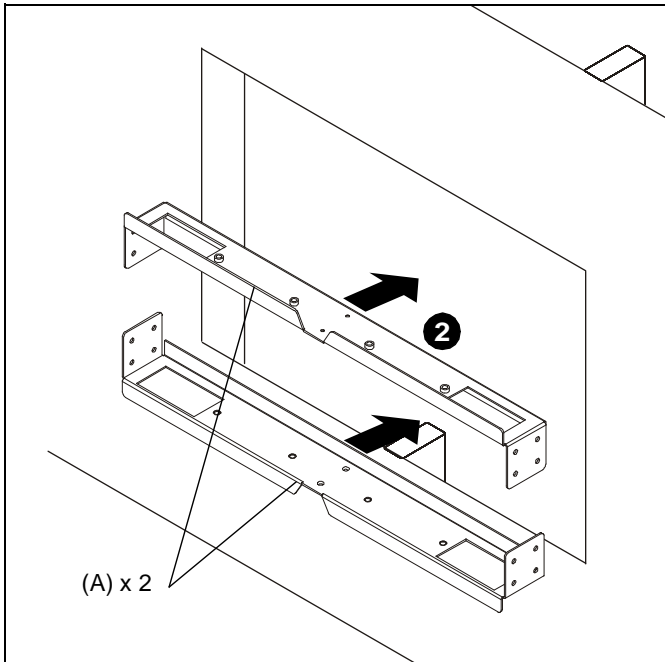


Figure 3

3. Raise and lower brackets (A) until brackets rest against center stud. (See Figure 4)

NOTE: Front flange on both upper and lower bracket should be slid behind drywall. (See Figure 5)

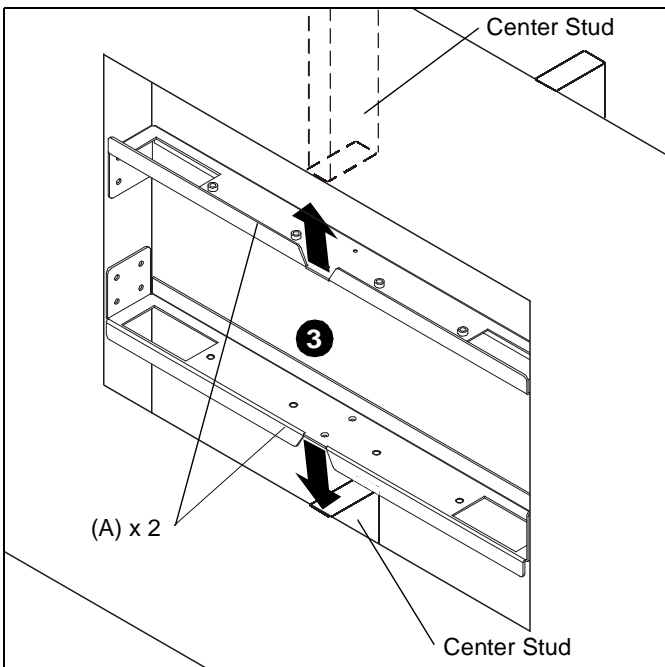


Figure 4

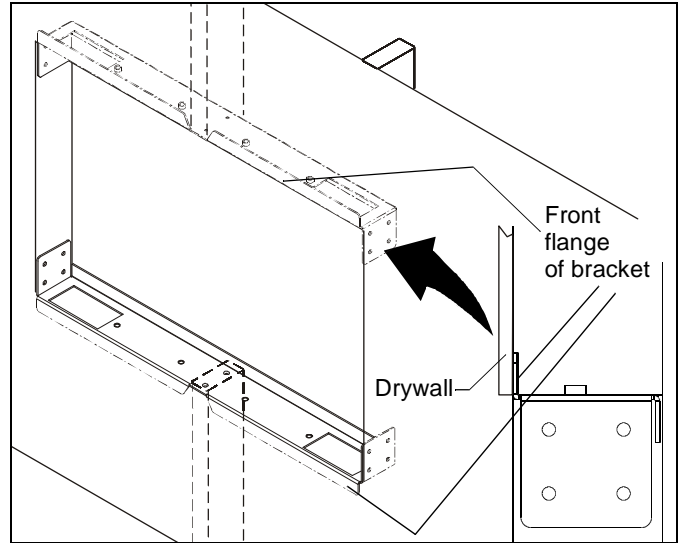


Figure 5

4. Make sure upper and lower brackets are level and there is a minimum of 20.375" between them at bracket centers and at both ends of brackets.
5. Secure upper and lower brackets to center studs using four 08 x 1-1/2" Phillips flat head wood screws (B) at center studs. (See Figure 6)
6. Secure upper and lower brackets to side studs using sixteen M7 x 40mm connector screws (C) and M4 Allen head bit (D). (See Figure 6)

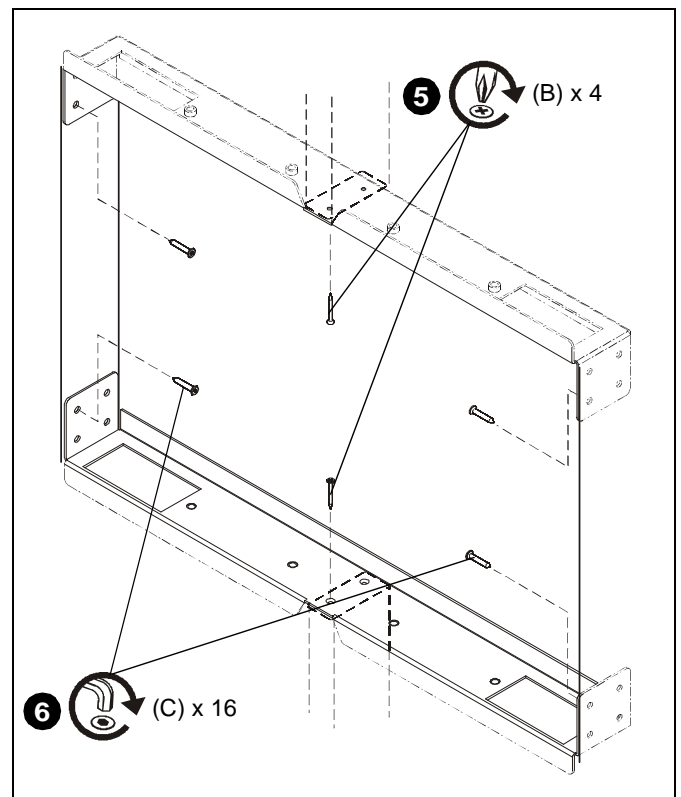


Figure 6

7. Orient PAC-502 enclosure following the installation instructions provided with the PAC-502 and slide enclosure into opening between upper and lower brackets (A). (See Figure 7)

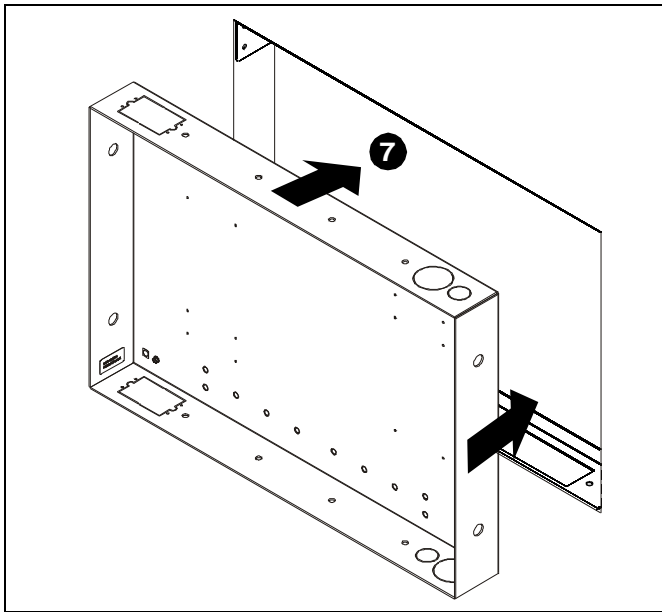


Figure 7

8. Secure PAC-502 enclosure to brackets using eight 1/4" flat washers (E) and eight 5/16-18 x 5/8" button head cap screws (F) using the 3/16" hex wrench (G). (See Figure 8)

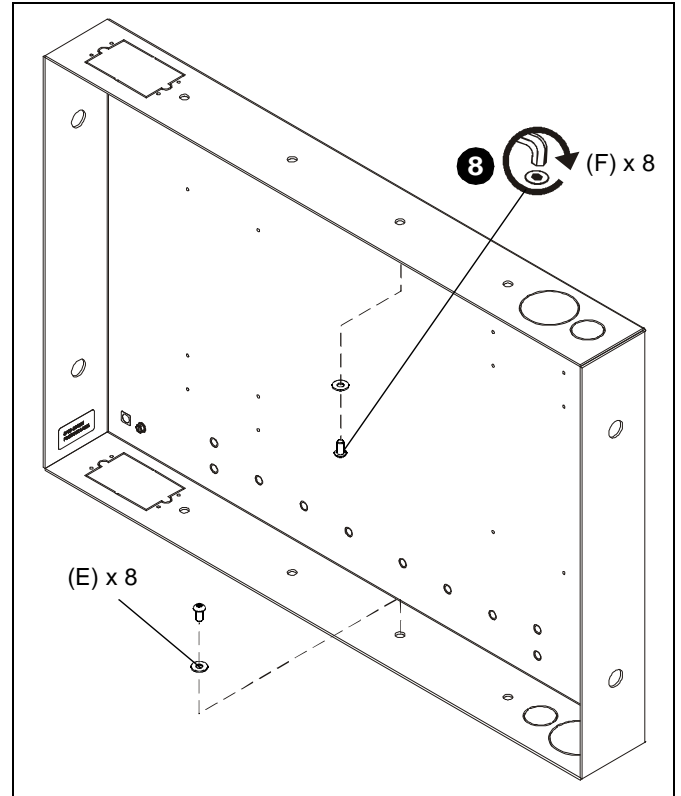


Figure 8



CAUTION: PAC-502 enclosure must be secured on both sides to side studs using lag screws and bushings following the installation instructions provided with the PAC502 accessory.



Our Mounts. **Your Vision.**

Chief Manufacturing, a products division
of Milestone AV Technologies

8807-002020 Rev00

©2010 Milestone AV Technologies, a
Duchossois Group Company

www.chiefmfg.com

09/10

USA/International	A 8401 Eagle Creek Parkway, Savage, MN 55378
	P 800.582.6480 / 952.894.6280
	F 877.894.6918 / 952.894.6918
Europe	A Fellenoord 130 5611 ZB EINDHOVEN, The Netherlands
	P +31 (0)40 2668620
	F +31 (0)40 2668615
Asia Pacific	A Office No. 1 on 12/F, Shatin Galleria 18-24 Shan Mei Street Fotan, Shatin, Hong Kong
	P 852 2145 4099
	F 852 2145 4477

