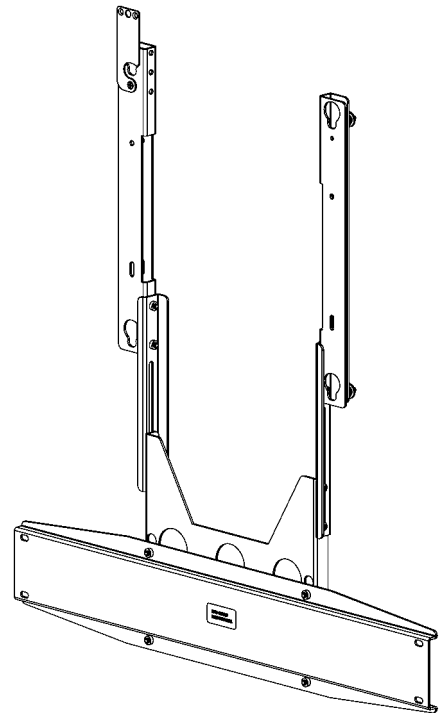

INSTRUCTION MANUAL

Speaker Mount Adapter (PAC-Y1)

The Speaker Mount Adapter (PAC-Y1) includes five inches of height adjustment and adds ten pounds to the installation. The adapter is designed for below display installation only. The combined weight of the adapter, speakers and display must not exceed the weight capacity of the mount.



BEFORE YOU BEGIN

- **CAUTION:** To prevent damage to the adapter, which could affect or void the Factory warranty, thoroughly study all instructions and illustrations before you begin to install or operate the unit. Pay particular attention to the “Important Precautions” on Page 1.
- The maximum weight to be installed on the PAC-Y1 is limited by the weight specification of the mount.
- If you have any questions about this assembly, contact Chief Manufacturing at 1-800-582-6480.



IMPORTANT WARNINGS and CAUTIONS!

- WARNING:** A **WARNING** alerts you to the possibility of serious injury or death if you do not follow the instructions.
- CAUTION:** A **CAUTION** alerts you to the possibility of damage or destruction of equipment if you do not follow the corresponding instructions.
- **WARNING:** The maximum weight to be installed on the PAC-Y1 is limited to the weight specification of your mount.
 - **CAUTION:** Inspect the unit for shipping damage.

TOOLS REQUIRED FOR INSTALLATION

- Phillips screwdriver
- 3/8" and 7/16" wrench
- Socket set with extension
- Allen wrench set

NOTE: Other tools may be required depending on the method of installation.

CONTENTS

INSPECT PARTS BEFORE ASSEMBLY	2
Inspect The Mount	2
ASSEMBLE MOUNT	4
ATTACH SPEAKER	6
Speaker Bracket Attachment.....	6
Mount Speaker	6

INSPECT PARTS BEFORE ASSEMBLY

Inspect The Mount

1. Carefully inspect the mount for shipping damage. If any damage is apparent, call your carrier claims agent and do not continue with the assembly procedure until the carrier has reviewed the damage.

NOTE: Read all assembly instructions before starting assembly.

2. Carefully inspect the Speaker Mount Assembly (PAC-Y1) components for damage (See Figure 1).

Item #	Item #
10. Mounting Mount Button Support (Left)	100. Height Adjustment Plate
20. Mounting Mount Button Support (Right)	110. Rubber Washer (Qty. 4)
30. Upright (Left)	120. Mounting Button (Qty. 4)
40. Upright (Right)	130. Button Head Cap Screw 1/4-20X1/2" (Qty. 12)
50. Speaker Bracket (Qty. 1)	140. Button Head Cap Screw 10-24X7/8" (Qty. 4)
60. Nylock Lock Nut, Short, 10-24 (Qty. 5)	150. Phillips Head Screw M6 x 12
70. Latching Flag	160. Hex Key, 1/8"
80. Phillips Undercut Machine Screw 10-24 X 1/2"	170. Hex Key, 5/32"
90. Nylon Spacer	

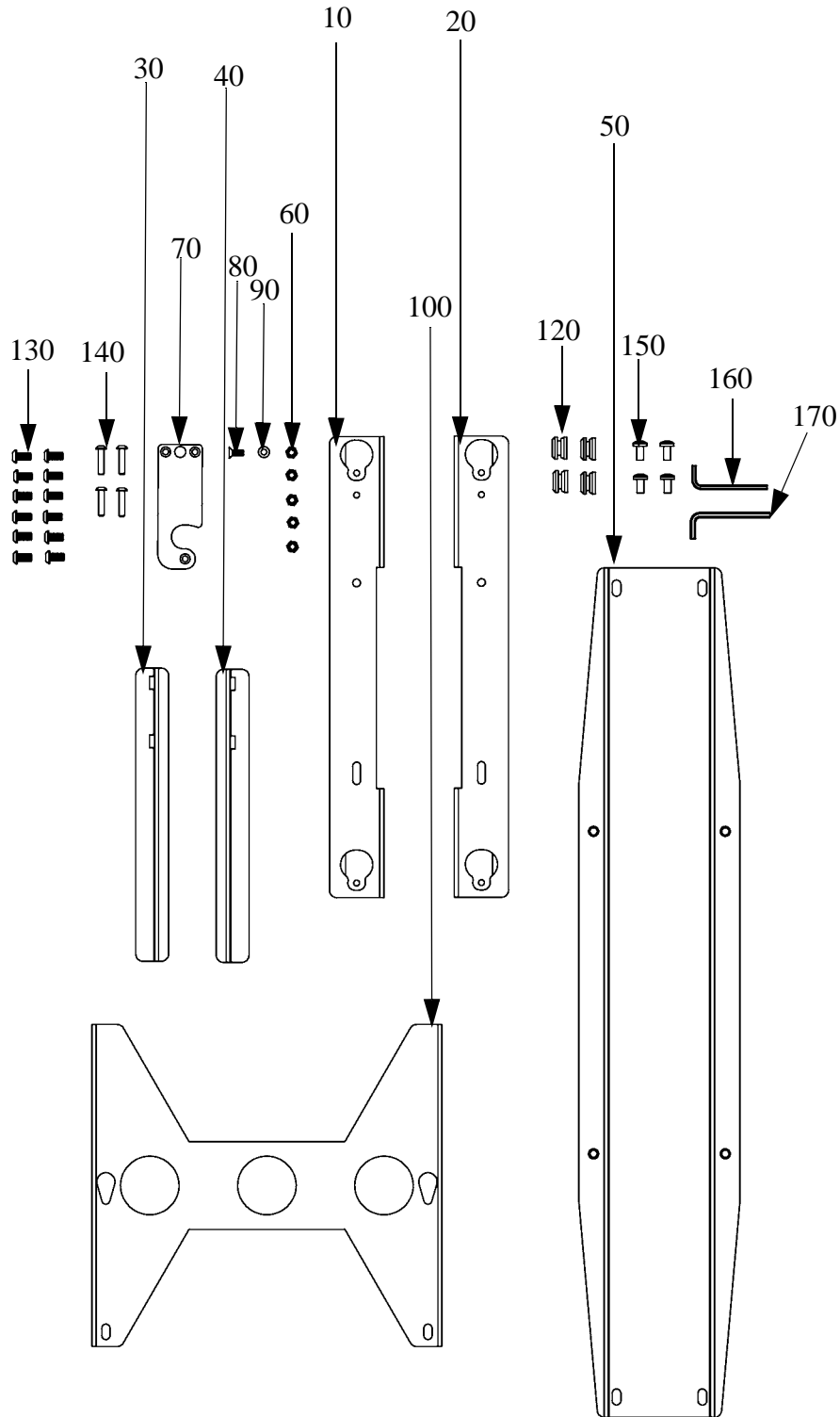


Figure 1. Speaker Mount Center Channel Speaker Adapter

ASSEMBLE MOUNT

NOTE: Numbers in () refer to parts shown in Figure 1.

Assemble mount as follows:

1. Attach two mounting buttons (120) to left speaker mount button support (10) and right speaker mount button support (20) using four 10-24X7/8" button head cap screws (140) and four Nylock nuts (170) (see Figure 1, Figure 2, and Figure 3).
2. Install the latching flag (70) using the 10-24X1/2" Phillips undercut screw (80), Nylon spacer (90) and 10-24 Nylock nut (60) (see Figure 4).
3. Install left upright (30) on left speaker mount button support (10) using two 1/4-20X1/2" button head cap screws (130) (see Figure 5).
4. Install right upright (40) on right speaker mount button support (20) using two 1/4-20X1/2" button head cap screws (130) (see Figure 5).
5. Install height adjustment plate (50) on left upright (30), with left speaker mount button support attached, using two 1/4-20X1/2" button head cap screws (130) (see Figure 5).
6. Install height adjustment plate (50) on right upright (40), with left speaker mount button support attached, using two 1/4-20X1/2" button head cap screws (130) (see Figure 5).

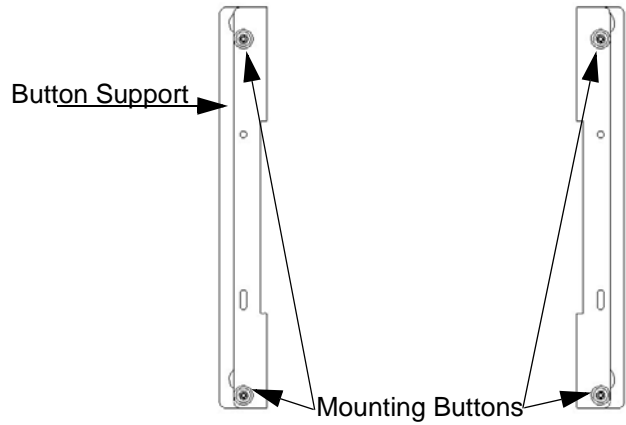


Figure 2. Mounting Button Location

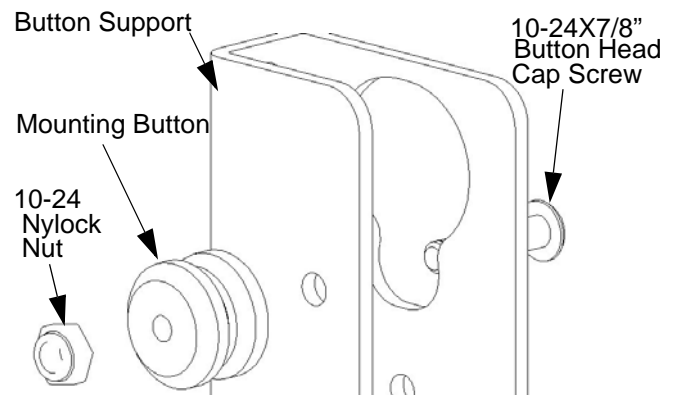


Figure 3. Mounting Button Attachment

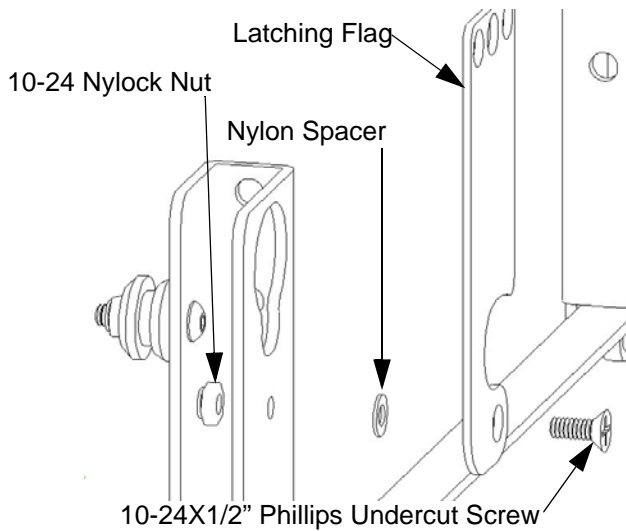


Figure 4. Install Latching Flag

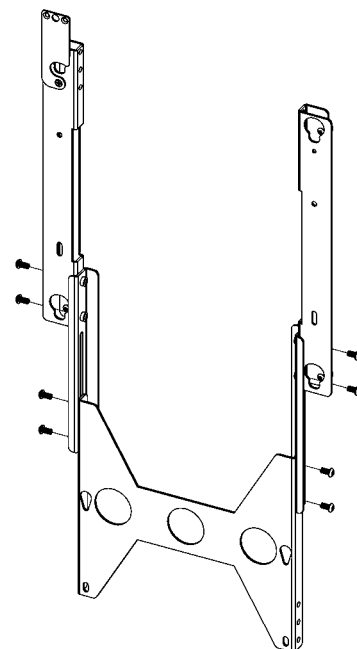


Figure 5. Bottom Portion Assembly

MOUNT CENTER SPEAKER

1. Using four Phillips head screws (150), attach speaker bracket (50) to speaker (see Figure 6).
2. Loosely insert top two 1/4-20X1/2" hex head cap screws (130) securing height adjustment plate (100) on each side of mount (see Figure 7).
3. Install speaker bracket (50), with speaker attached, into teardrop slots and lower into place
4. Install bottom two 1/4-20X1/2" hex head cap screws (130) securing height adjustment plate (100) and tighten all four 1/4-20X1/2" hex head cap screws.
5. Slide uprights (30 and 40) to accommodate the desired position and secure in place by tightening 1/4-20X1/2" hex head cap screws (130).

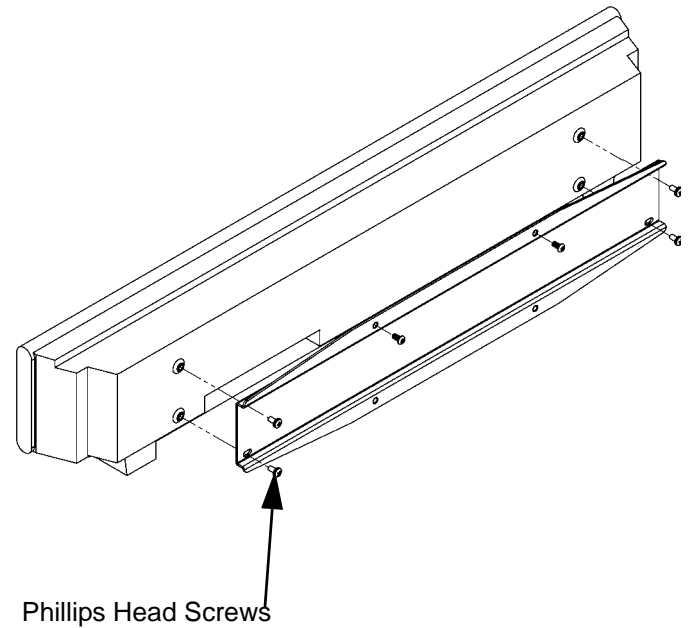


Figure 6. Install Speaker Bracket

