

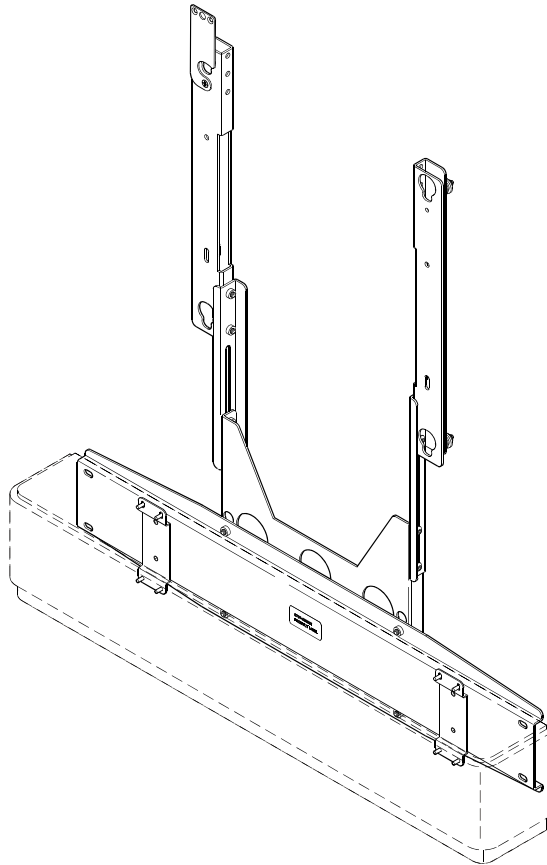
---

# INSTALLATION INSTRUCTIONS

---

## YAMAHA Speaker Adapter Accessory

Model: PAC-Y2



---

### BEFORE YOU BEGIN

---

**▲ CAUTION!**

The instructions provided in this document outline the installation of the PAC-Y2 Lateral Shift Accessory to specific Chief mounts. If you have questions regarding the use or installation of this accessory, contact a Chief Customer Service representative at 1-800-582-6480 before proceeding with the installation.

**▲ CAUTION!**

To prevent damage to the Kit, which could affect or void the Factory warranty, and to the equipment that will be attached to it, thoroughly study all instructions and illustrations before you begin the installation.



**IMPORTANT WARNINGS AND CAUTIONS!**

**WARNING:** A WARNING alerts you to the possibility of serious injury or death if you do not follow the instructions.

**CAUTION:** A CAUTION alerts you to the possibility of damage or destruction of equipment if you do not follow the corresponding instructions.

**⚠ WARNING!**

IMPROPER INSTALLATION CAN LEAD TO THE MOUNT FALLING. The structure to which the mount is installed must be capable of supporting 4 times the combined weight of this accessory, the mount and the display. If the structural members can not support this weight, reinforce the structural members before installing the mount.

**⚠ WARNING!**

IMPROPER INSTALLATION CAN LEAD TO THE MOUNT FALLING. The load placed on the PAC-150 must not exceed 150 lbs (68.03kg) the maximum weight of the PAC-Y2 accessory.

**⚠ CAUTION!**

Changes or modifications not approved by Chief Manufacturing could void user's warranty.

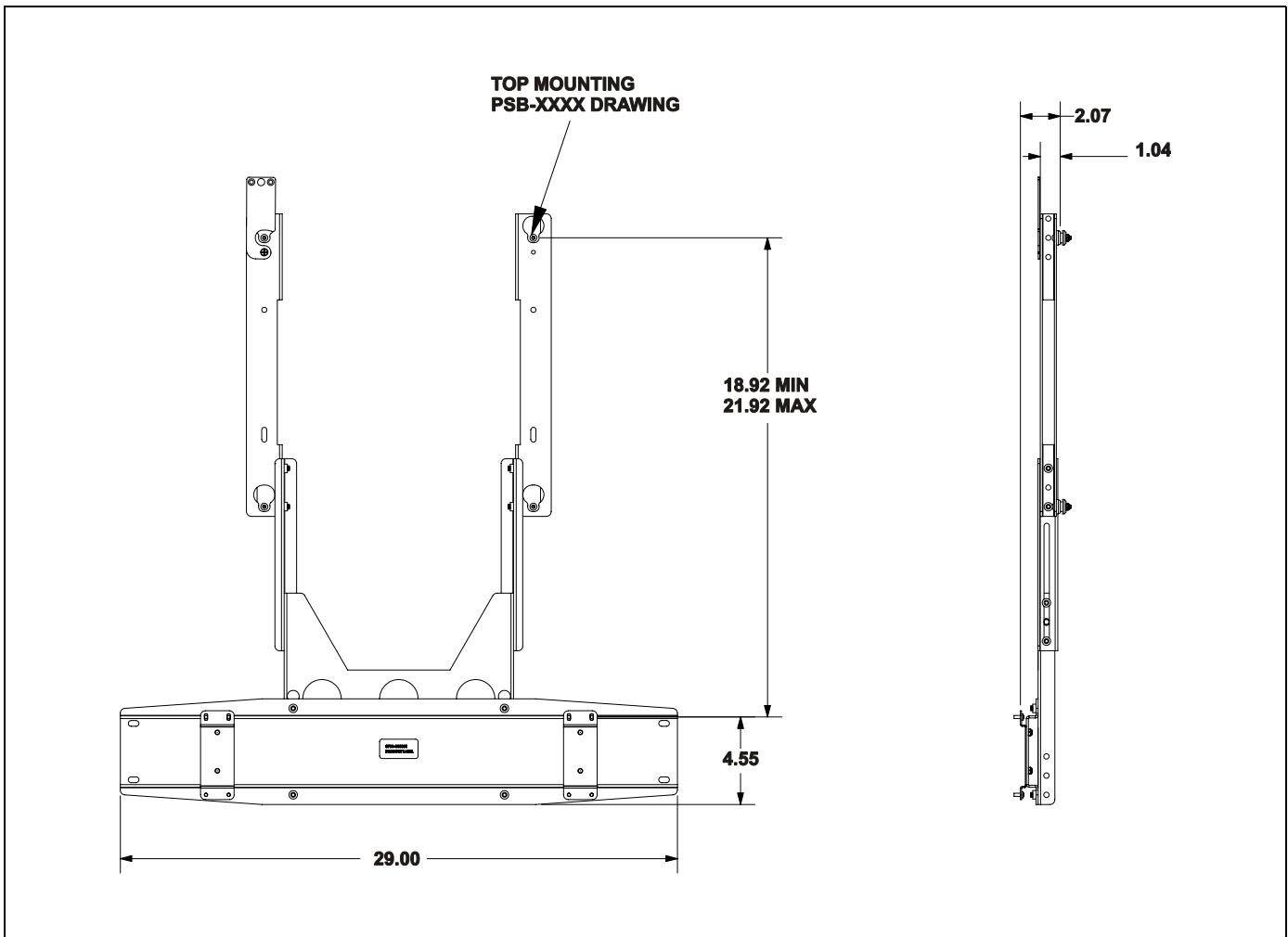


Figure 1: Dimensions

### TOOLS REQUIRED FOR INSTALLATION

- 1/8" Hex Key (provided)
- 5/32" Hex Key (provided)
- Phillips Screwdriver

### INSPECT MOUNT BEFORE ASSEMBLY

**⚠ CAUTION!**

Carefully inspect components for shipping damage. If damage is apparent, call your carrier claims agent and do not continue with installation until the carrier has reviewed the damage. (see Figure 2)

### PARTS

Table 1: Parts

ITEM	DESCRIPTION	QTY	ITEM	DESCRIPTION	QTY
10	BRACKET, Speaker Mounting, R.H.	1	110	SCREW, Machine, Phillips Pan Head, M4 x 10mm	8
20	BRACKET, Speaker Mounting, L.H.	1	120	NUT, Lock, Nylon, 10-24	8
30	BRACKET, Speaker Mounting, Bottom, L.H.	1	130	KEY, Hex, 1/8"	1
40	BRACKET, Speaker Mounting, Bottom, R.H.	1	140	KEY, Hex, 5/32"	1
50	BRACKET, Speaker Mounting, Center	1	150	KIT, Latching Flag (includes 160 through 190)	1
60	ADAPTER, Speaker, Center	1	160	FLAG, Latching	1
70	ADAPTER, Speaker Mounting	2	170	SCREW, Machine, Phillips, 10-24 x 1/2"	1
80	BUTTON, Mounting	4	180	NUT, Lock, Nylon, 10-24	1
90	SCREW, Button Head Cap, 1/4-20 x 1/2"	12	190	SPACER, .194 x .375 x .032	1
100	SCREW, Button Head Cap, 10-24 x 7/8"	4			

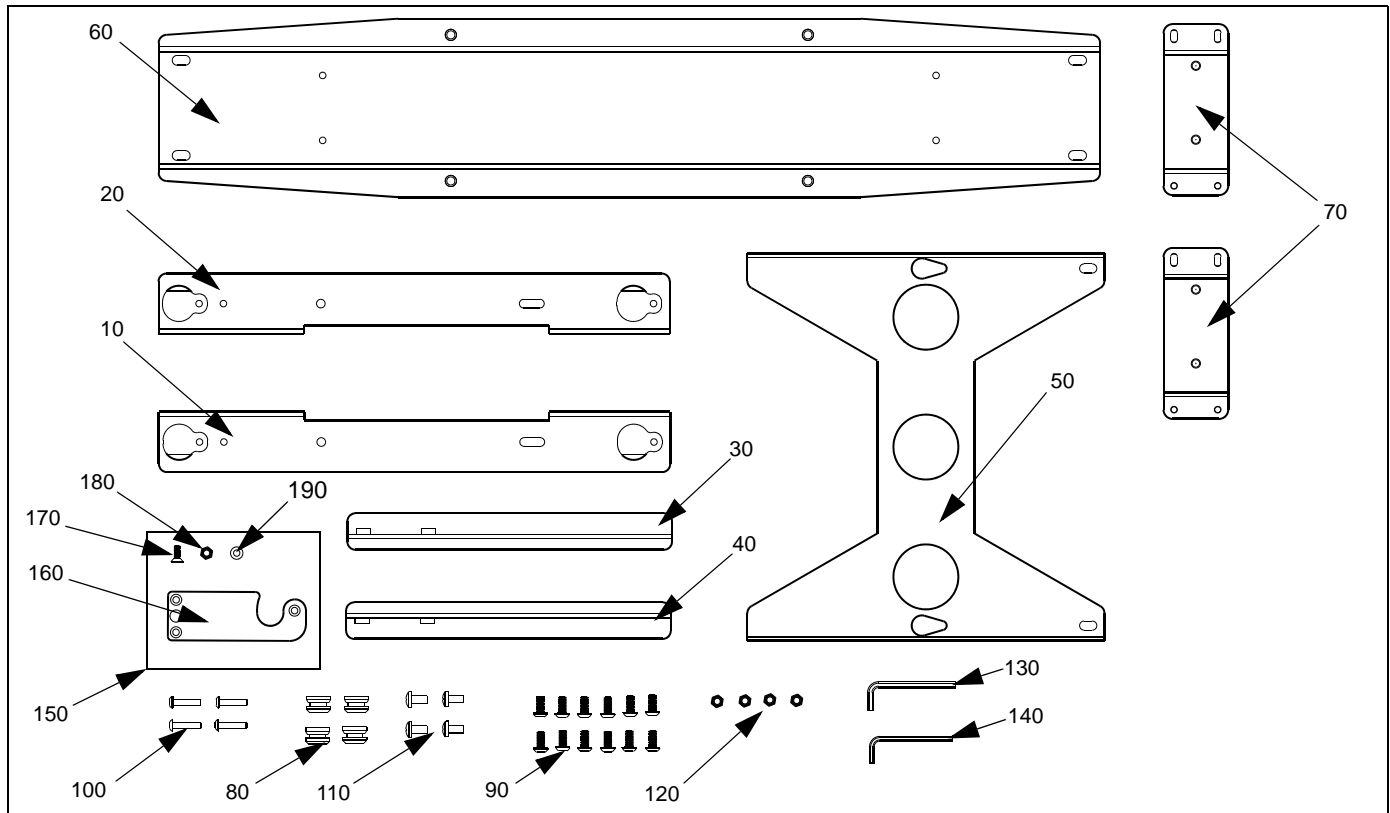


Figure 2: Parts

## MOUNT ASSEMBLY

### Center Speaker Mounting Bracket Assembly

1. Assemble L.H bottom speaker mounting bracket (30) to center speaker mounting bracket (50) using two BHCS (90). (see Figure 3)
2. Assemble R.H bottom speaker mounting bracket (40) to center speaker mounting bracket (50) using two BHCS (90). (see Figure 3)

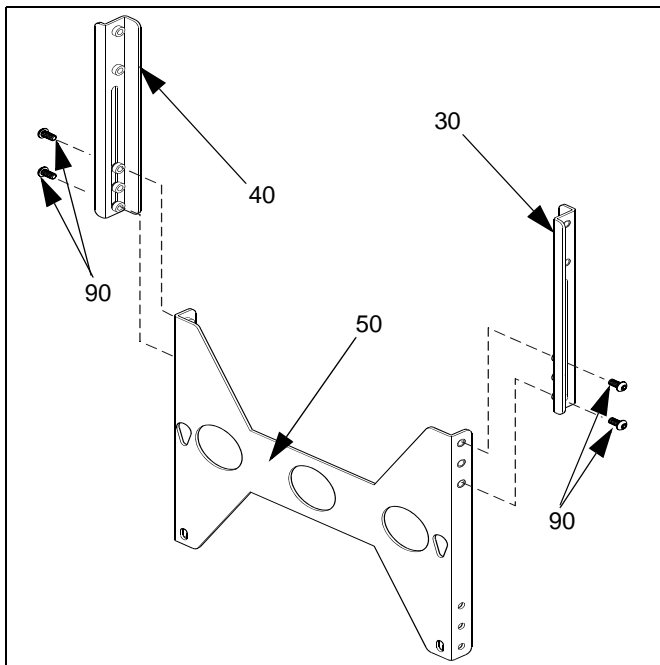


Figure 3: Center Speaker Bracket Assembly

### Upper Speaker Mounting Bracket Assembly

1. Assemble L.H speaker mounting bracket (20) to L.H bottom speaker mounting bracket (30) using two BHCS (90). (see Figure 3)
2. Assemble R.H speaker mounting bracket (40) to R.H bottom speaker mounting bracket (50) using two BHCS (90). (see Figure 3)
3. Tighten all hardware.

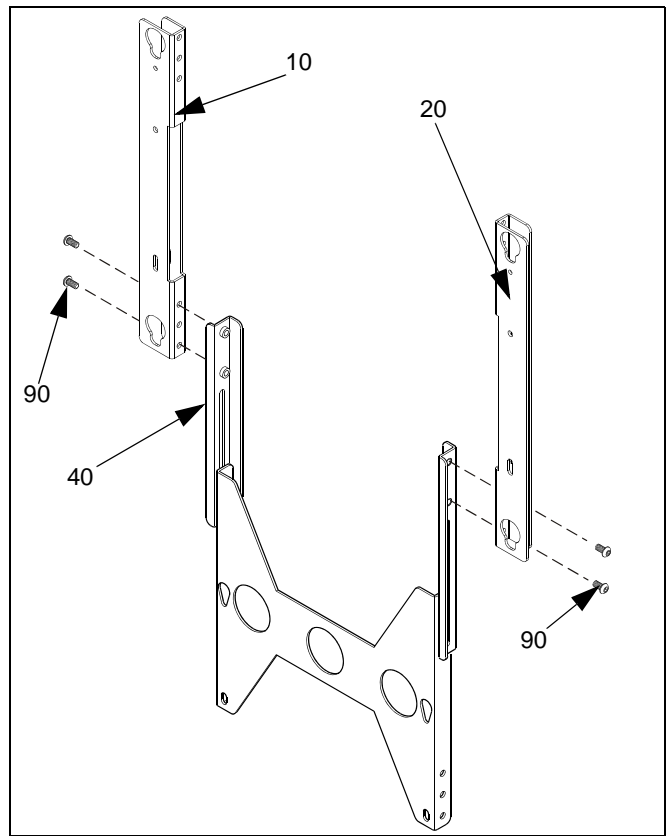


Figure 4: Assemble Upper Speaker Mounting Brackets

### Center Speaker Adapter Assembly

1. Align L.H. and R.H speaker adapter (70) with mounting holes in speaker back.
2. Mount two speaker adapters (70) to speaker assembly using eight PPSM (110). (see Figure 5)

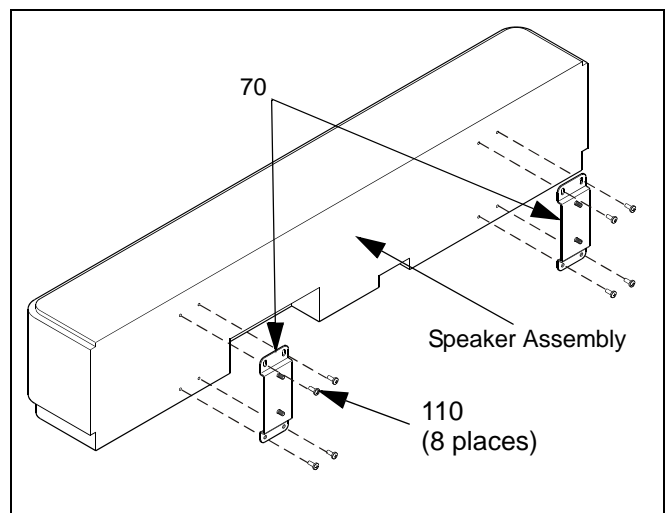
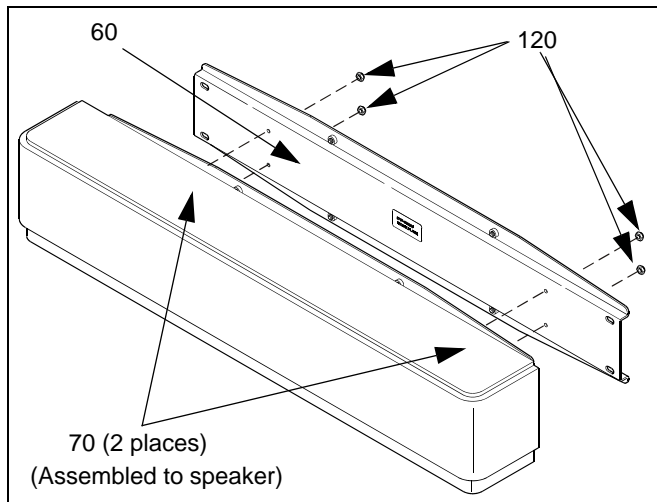


Figure 5: Assemble Adapters to Speaker

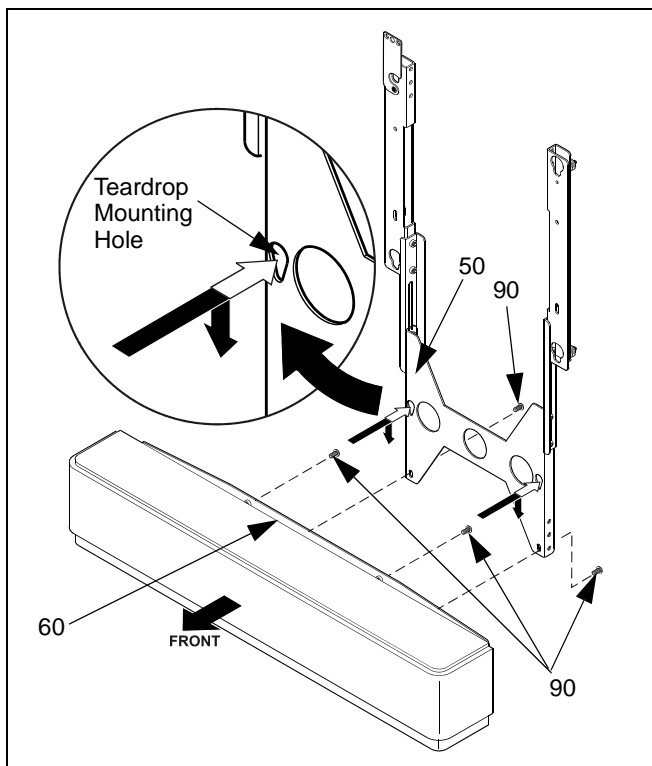
3. Slide four threaded studs on two speaker mounting adapters (70) through four mounting holes in center speaker adapter (60). (see Figure 6)

- Secure two speaker mounting adapters (70) to center speaker adapter (60) using four Nylock nuts (120).



**Figure 6: Center Speaker Adapter Assembly**

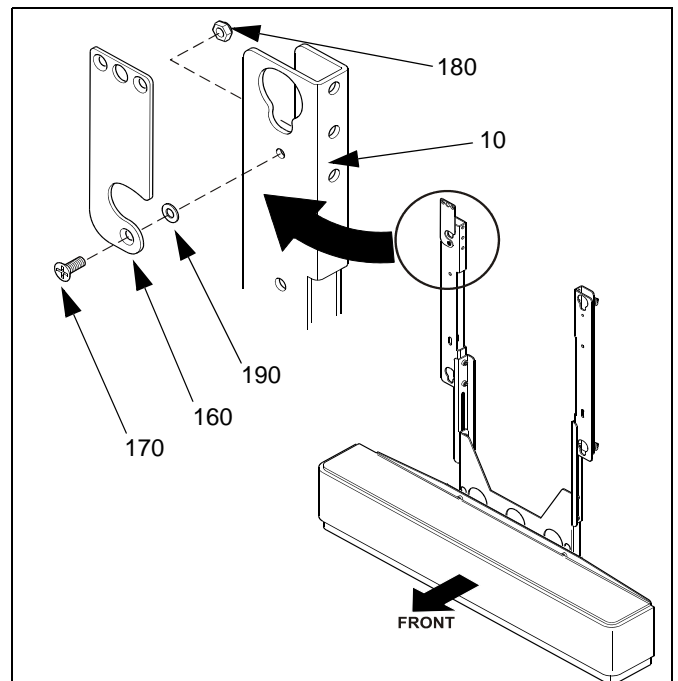
- Assemble center speaker adapter (60) to center speaker mounting bracket (50) by sliding two BHCS (90) through teardrop mounting holes in center speaker mounting bracket (50), and lowering bracket until BHCS (90) are seated in lower area of teardrop mounting holes. (see Figure 7)
- Tighten two upper BHCS (90).
- Install two BHCS (90) through center speaker mounting bracket (50) and into lower mounting holes in center speaker adapter (60). (see Figure 7)



**Figure 7: Assemble Center Speaker Adapter**

**Assemble Latching Flag to Speaker Adapter**

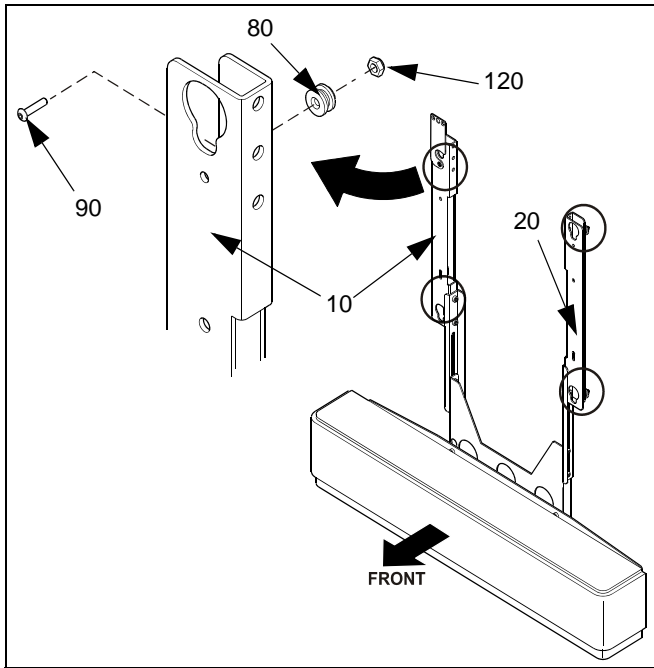
- Assemble one Phillips machine screw (170) through latching flag (160) and one spacer (190).
- Assemble latching flag (160) with Phillips machine screw (170) and spacer (190) through R.H. speaker adapter (10). (see Figure 8)
- Secure latching flag (160) to R.H. speaker adapter (10) using one Nylock nut (180). (see Figure 8)



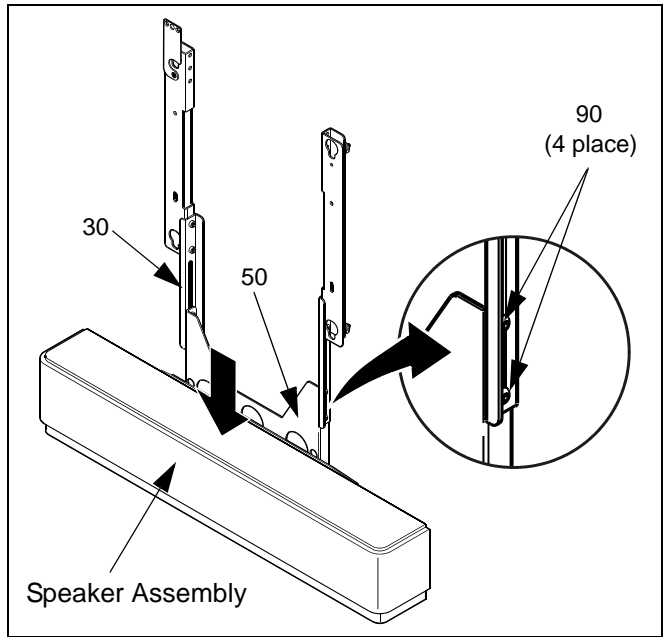
**Figure 8: Attach Latching Flag to Speaker Adapter**

**Assemble Mounting Buttons to Speaker Brackets**

- Assemble two BBHC (90) through upper and lower holes in back side of R.H speaker adapter (10). (see Figure 9)
- Assemble two mounting buttons (80) onto two BHCS (90) in R.H. speaker adapter (60). (see Figure 9)
- Secure mounting buttons (80) to R.H. speaker adapter (10) using two Nylock nuts (120). (see Figure 9)
- Assemble two BBHC (90) through upper and lower holes in back side of L.H speaker adapter (20). (see Figure 9)
- Assemble two mounting buttons (80) onto two BHCS (90) in L.H. speaker adapter (20). (see Figure 9)
- Secure mounting buttons (80) to L.H. speaker adapter (20) using two Nylock nuts (120). (see Figure 9)



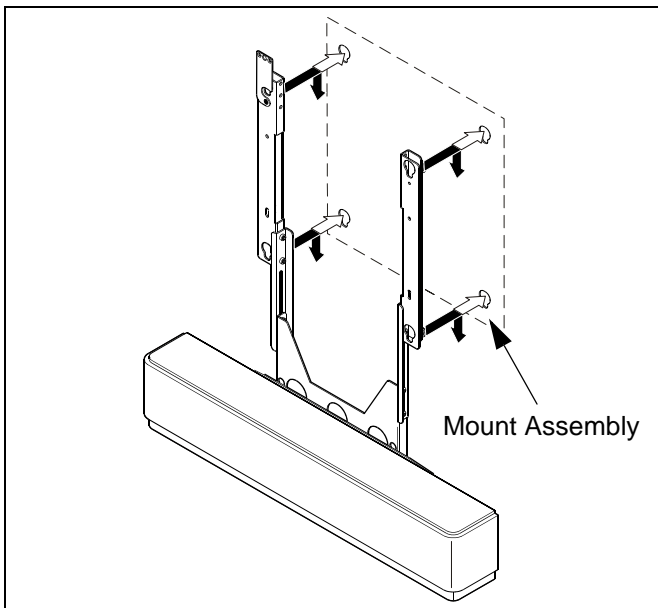
**Figure 9: Install Mounting Buttons**



**Figure 11: Lower Speaker Assembly**

**MOUNT INSTALLATION**

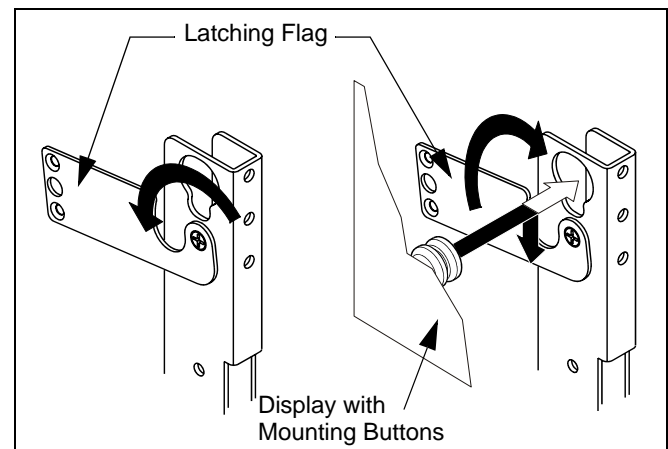
1. Install speaker adapter accessory on mount following the instructions provided with the mount. (see Figure 10)



**Figure 10: Install Speaker Adapter Accessory on Mount**

2. While supporting speaker assembly, loosen four BHCS (90) securing R.H and L.H. bottom speaker mounting brackets (30, 40) to center speaker mounting bracket (50) and move speaker assembly to lowest position. (see Figure 11)

3. Open latching flag.
4. Install mounting buttons on display in following instructions provided with mount.
5. Slide mounting buttons on display into teardrop holes in R.H and L.H. speaker mounting brackets (10, 20).
6. Lower display until recessed area of mounting buttons is seated in lower area of teardrop mounting holes in R.H and L.H. speaker mounting brackets (10, 20).
7. Close latching flag to secure display to speaker adapter accessory.



**Figure 12: Mount Display on Speaker Accessory**

8. Route wires and cables.
9. Raise speaker assembly to desired position and secure by tightening four BHCS securing R.H and L.H. bottom speaker mounting brackets (30, 40) to center speaker mounting bracket (50).



