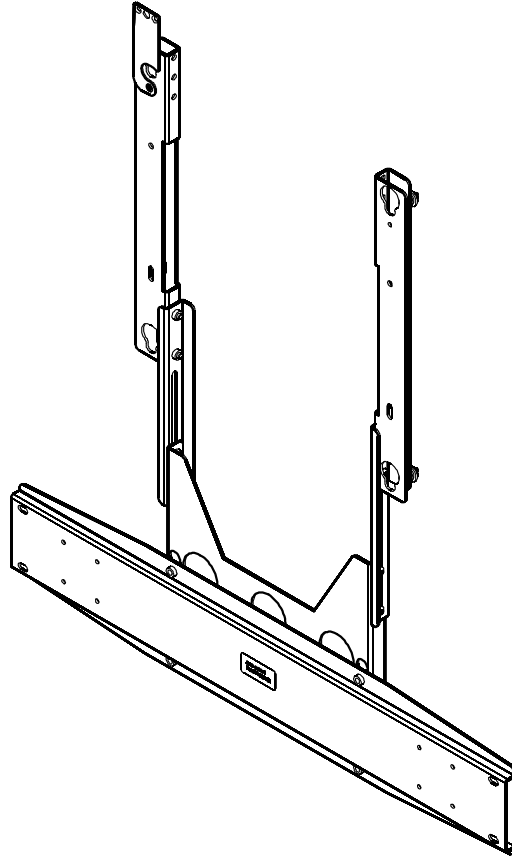


---

# INSTALLATION INSTRUCTIONS

---



---

## Yamaha Speaker Adapter Accessory

---

## DISCLAIMER

Milestone AV Technologies and its affiliated corporations and subsidiaries (collectively "Milestone"), intend to make this manual accurate and complete. However, Milestone makes no claim that the information contained herein covers all details, conditions or variations, nor does it provide for every possible contingency in connection with the installation or use of this product. The information contained in this document is subject to change without notice or obligation of any kind. Milestone makes no representation of warranty, expressed or implied, regarding the information contained herein. Milestone assumes no responsibility for accuracy, completeness or sufficiency of the information contained in this document.

Chief® is a registered trademark of Milestone AV Technologies. All rights reserved.

## ! IMPORTANT WARNINGS AND CAUTIONS!

**! WARNING:** A WARNING alerts you to the possibility of serious injury or death if you do not follow the instructions.

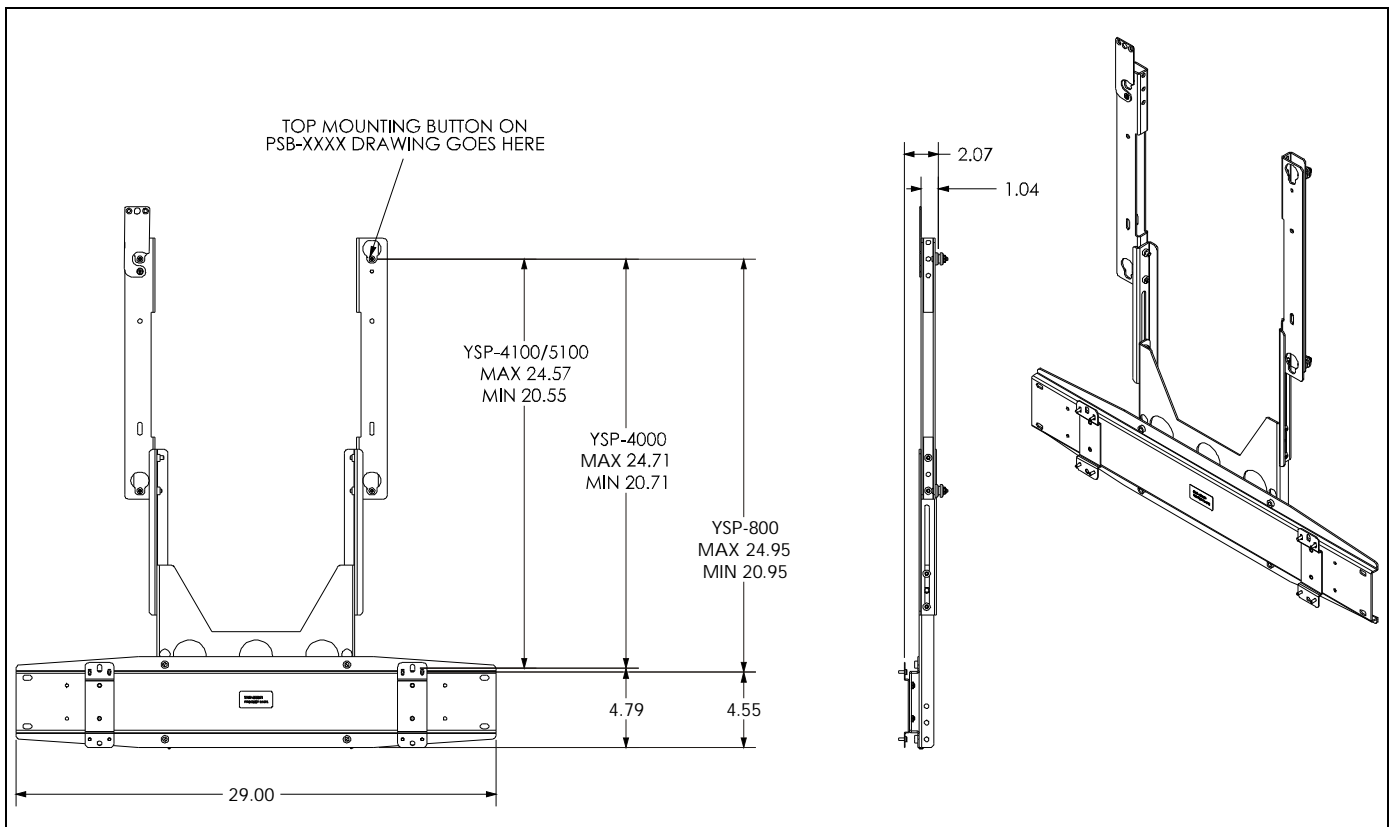
**! CAUTION:** A CAUTION alerts you to the possibility of damage or destruction of equipment if you do not follow the corresponding instructions.

**! WARNING:** Failure to read, thoroughly understand, and follow all instructions can result in serious personal injury, damage to equipment, or voiding of factory warranty! It is the installer's responsibility to make sure all components are properly assembled and installed using the instructions provided.

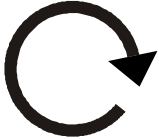
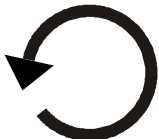

**! WARNING:** Failure to provide adequate structural strength for this component can result in serious personal injury or damage to equipment! It is the installer's responsibility to make sure the structure to which this component is attached can support five times the combined weight of all equipment. Reinforce the structure as required before installing the component.

**! WARNING:** Exceeding the weight capacity can result in serious personal injury or damage to equipment! It is the installer's responsibility to make sure the combined weight of all components attached to this accessory does not exceed 150 lbs (68.04 kg).

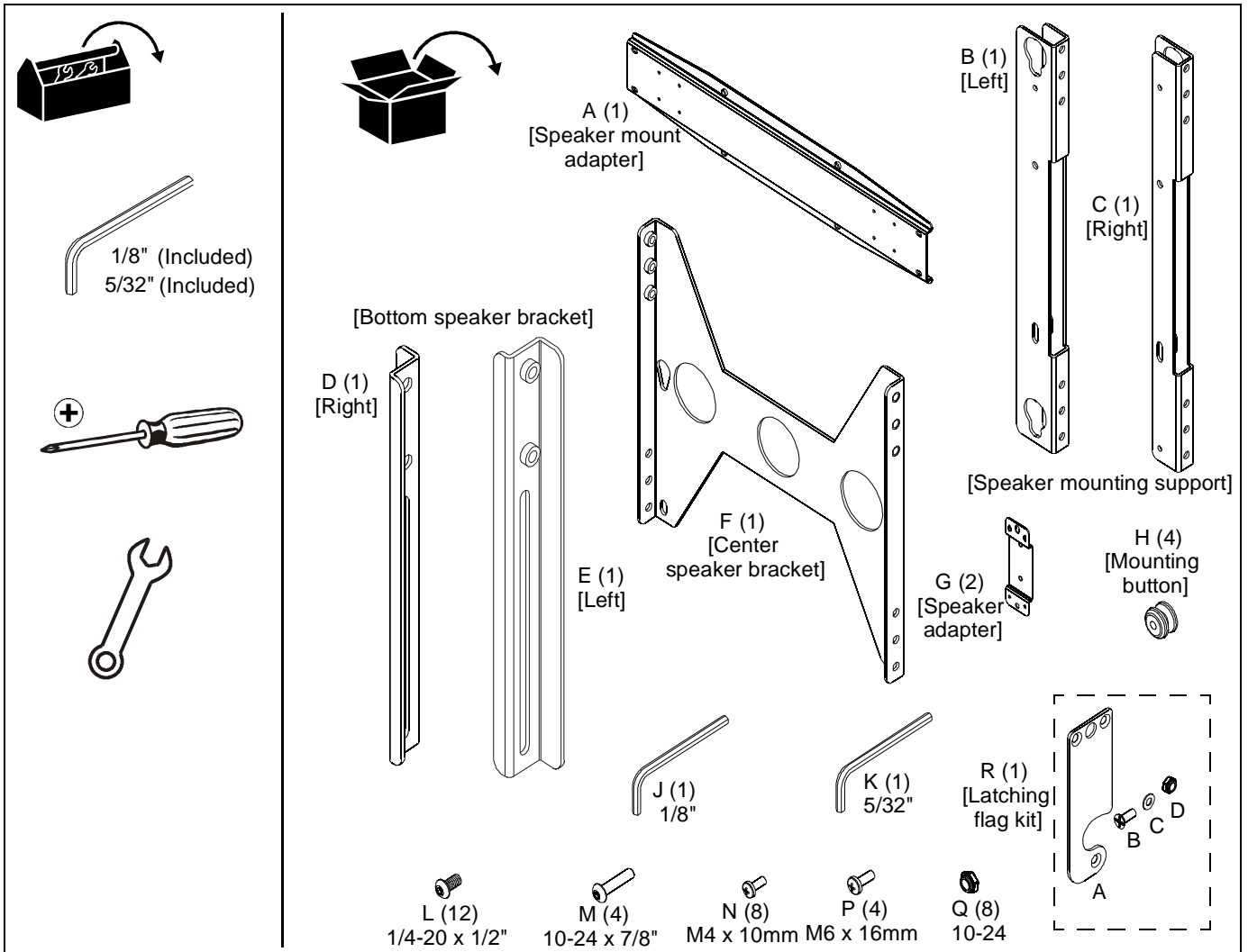
## DIMENSIONS



**LEGEND**

	<b>Tighten Fastener</b>			
	Apretar elemento de fijación			<b>Phillips Screwdriver</b>
	Befestigungsteil festziehen			Destornillador Phillips
	Apertar fixador			Kreuzschlitzschraubendreher
	Serrare il fissaggio			Chave de fendas Phillips
	Bevestiging vastdraaien			Cacciavite a stella
Serrez les fixations	Kruiskopschroevendraaier			
			Tournevis à pointe cruciforme	
	<b>Loosen Fastener</b>		<b>Open-Ended Wrench</b>	
	Aflojar elemento de fijación		Llave de boca	
	Befestigungsteil lösen		Gabelschlüssel	
	Desapertar fixador		Chave de bocas	
	Allentare il fissaggio		Chiave a punte aperte	
	Bevestiging losdraaien		Steeksleutel	
	Desserrez les fixations		Clé à fourche	

**TOOLS / PARTS**



**TOOLS**

- 1/8" (Included)
- 5/32" (Included)
- Phillips Screwdriver
- Open-Ended Wrench

**PARTS**

- A (1) [Speaker mount adapter]
- B (1) [Left]
- C (1) [Right]
- D (1) [Right]
- E (1) [Left]
- F (1) [Center speaker bracket]
- G (2) [Speaker adapter]
- H (4) [Mounting button]
- J (1) 1/8"
- K (1) 5/32"
- L (12) 1/4-20 x 1/2"
- M (4) 10-24 x 7/8"
- N (8) M4 x 10mm
- P (4) M6 x 16mm
- Q (8) 10-24
- R (1) [Latching flag kit]

## MOUNT ASSEMBLY

### Center Speaker Mounting Bracket Assembly

1. Assemble left bottom speaker bracket (E) to center speaker bracket (F) using two 1/4-20 x 1/2" button head cap screws (L). (See Figure 1)
2. Assemble right bottom speaker bracket (D) to center speaker bracket (F) using two 1/4-20 x 1/2" button head cap screws (L). (See Figure 1)

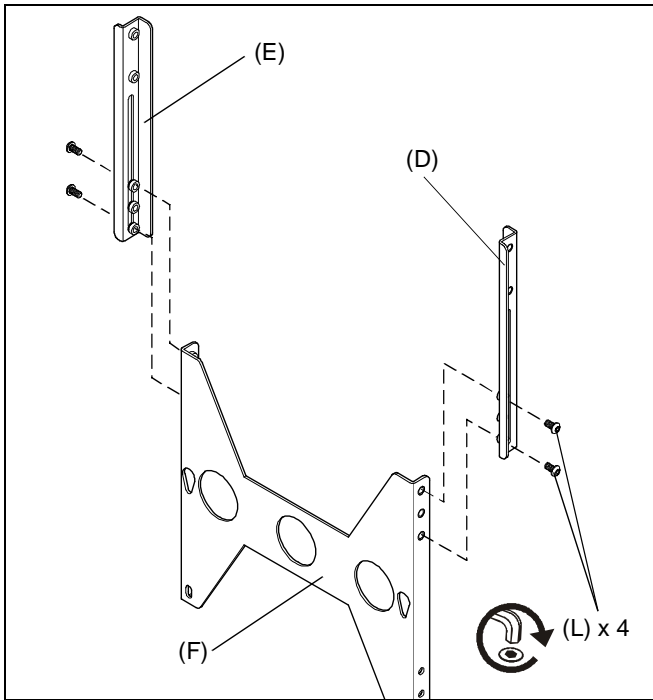


Figure 1

### Upper Speaker Mounting Support Assembly

1. Assemble left speaker mounting support (B) to left bottom speaker bracket (E) using two 1/4-20 x 1/2" button head cap screws (L). (See Figure 2)
2. Assemble right speaker mounting support (C) to right bottom speaker bracket (D) using two 1/4-20 x 1/2" button head cap screws (L). (See Figure 2)
3. Tighten all hardware.

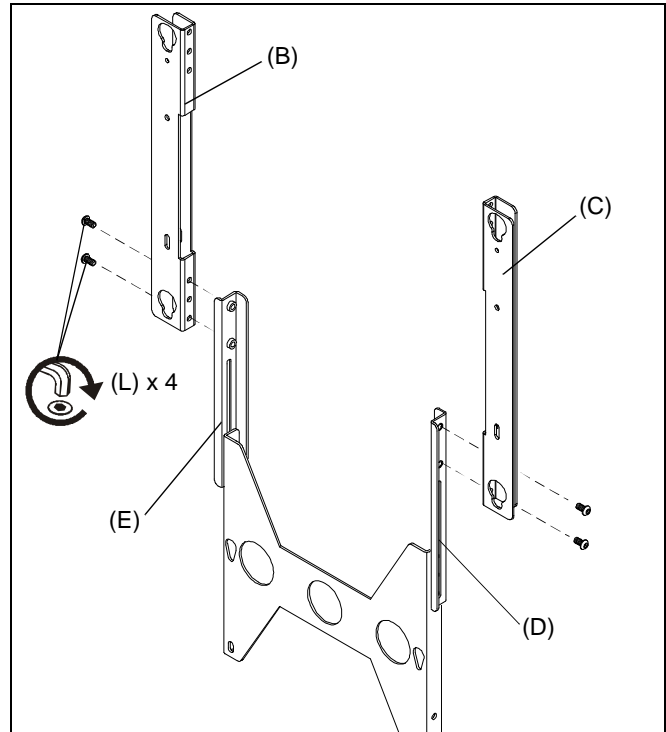


Figure 2

### Speaker Adapter Assembly

1. Align speaker adapters (G) with mounting holes in speaker back.
2. Mount two speaker adapters (G) to speaker assembly using eight M4x10mm Phillips pan head screws (N) for the YSP-800 speaker (See Figure 3), **OR** four M6x16mm Phillips panhead screws (P) for the YSP-4000/4100/5100 speakers. (See Figure 4)

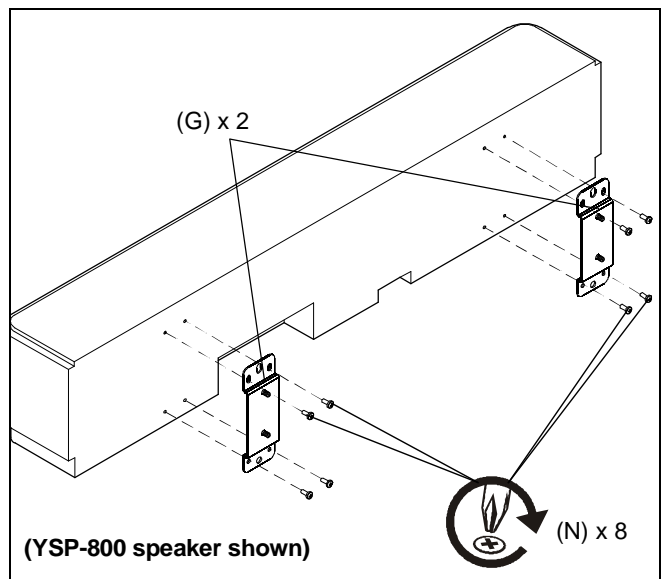


Figure 3

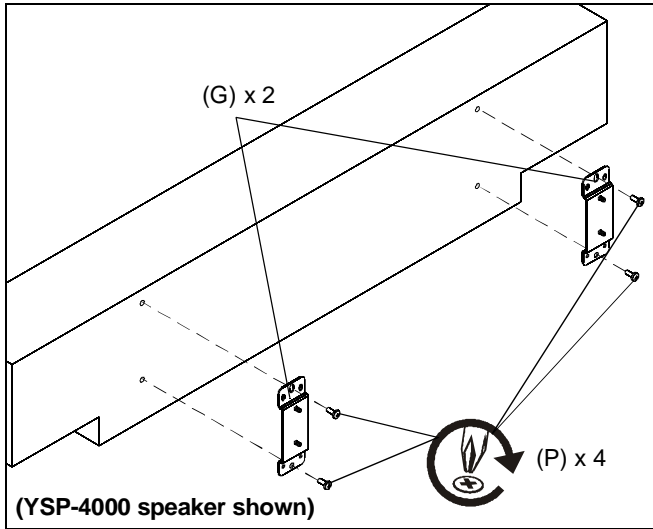


Figure 4

3. Slide threaded studs located on two speaker adapters (G) through four mounting holes in speaker mount adapter (A). (See Figure 5) or (See Figure 6)
4. Secure two speaker adapters (G) to speaker mount adapter (A) using four Nylock nuts (Q).

**NOTE:** (See Figure 5) or (See Figure 6) dependent on whether you are attaching a YSP-800 or YSP-4000/4100/5100 speaker.

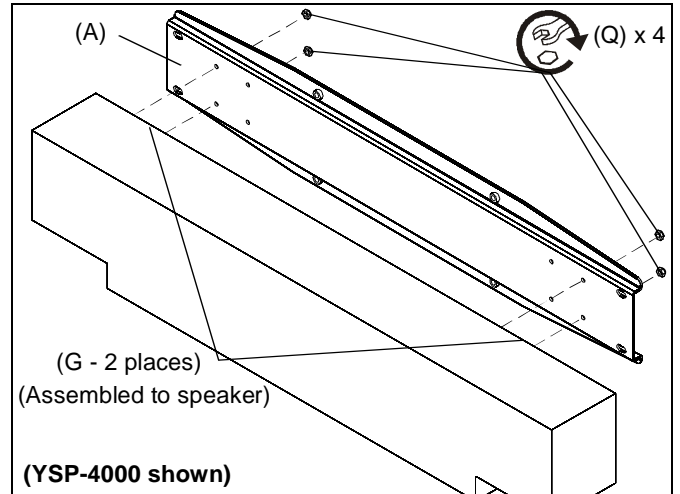


Figure 6

5. Partially install two 1/4-20 x 1/2" button head cap screws (L) into top back of speaker mount adapter (A). (See Figure 7)
6. Slide installed screws (L) on back of speaker mount adapter (A) through teardrop mounting holes in center speaker bracket (F). Lower bracket until screws are seated in lower area of teardrop mounting holes. (See Figure 7)
7. Tighten two upper button head cap screws (L).
8. Install two 1/4-20 x 1/2" button head cap screws (L) through center speaker bracket (F) and into lower mounting holes in speaker mount adapter (A). (See Figure 7)

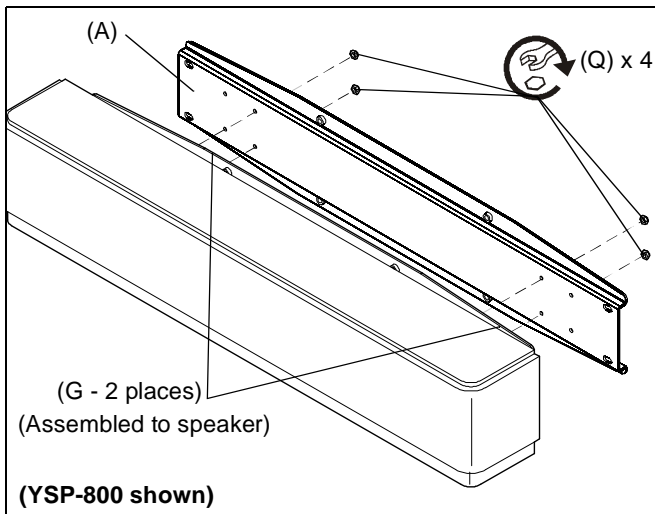


Figure 5

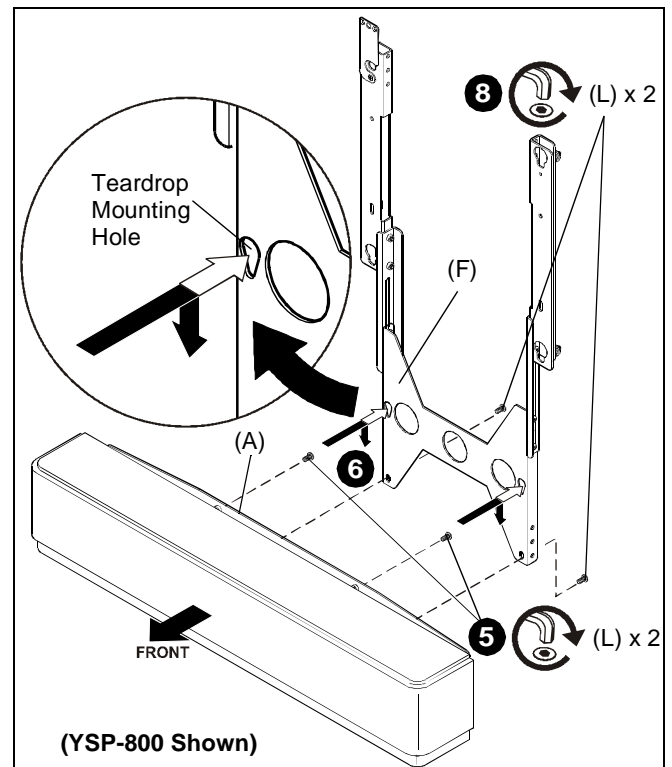


Figure 7

### Latching Flag Assembly to Speaker Adapter

1. Assemble one Phillips machine screw (RB) through latching flag (RA) and spacer (RC). (See Figure 8)
2. Secure latching flag to left speaker mounting support (B) using one Nylock nut (RD). (See Figure 8)

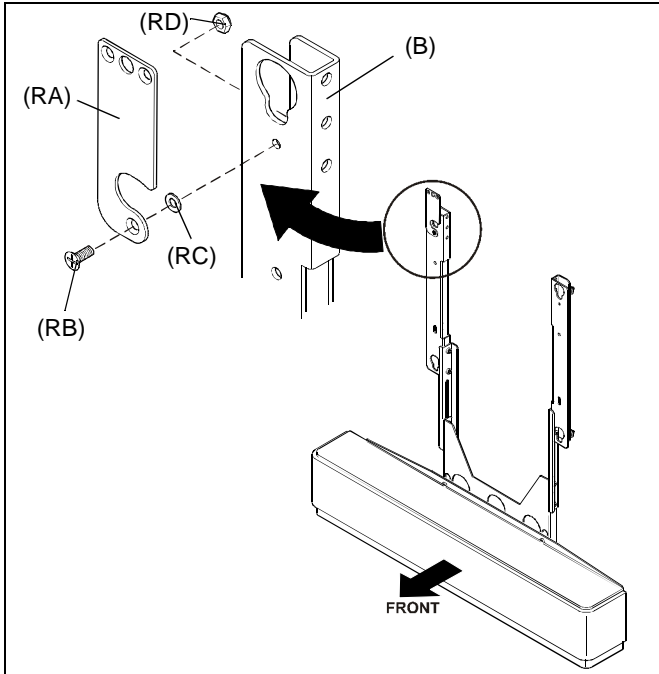


Figure 8

### Assemble Mounting Buttons to Speaker Brackets

1. Attach two mounting buttons (H) through the upper and lower holes in right speaker mounting support (C) using two 10-24 x 7/8" button head cap screws (M) and two Nylock nuts (Q). (See Figure 9)
2. Attach two mounting buttons (H) through the upper and lower holes in left speaker mounting support (B) using two 10-24 x 7/8" button head cap screws (M) and two Nylock nuts (Q). (See Figure 9)

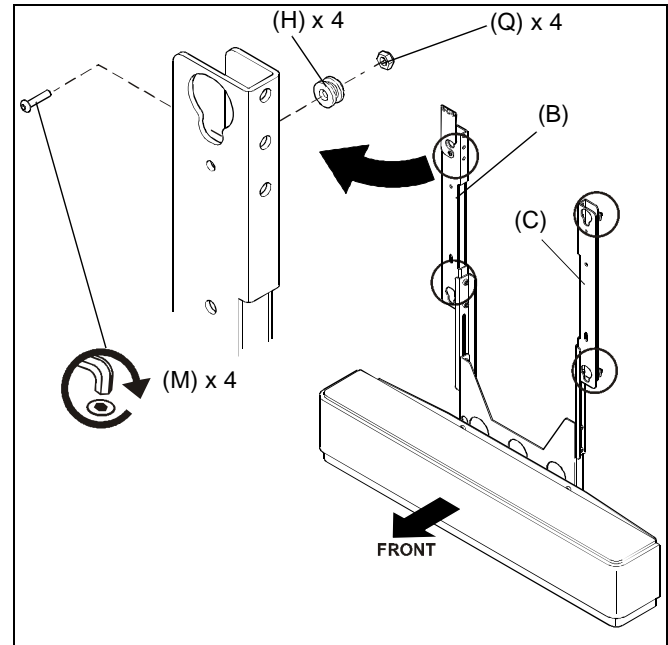


Figure 9

### MOUNT INSTALLATION



**WARNING:** IMPROPER INSTALLATION CAN LEAD TO MOUNT FALLING CAUSING SEVERE PERSONAL INJURY OR DAMAGE TO EQUIPMENT! It is the installers responsibility to make certain the structure to which the mount is being attached is capable of supporting five times the weight of the PACY3 and all attached equipment not to exceed 30 lbs (13.61 kg).



**WARNING:** ELECTRICAL SHOCK HAZARD! CUTTING OR DRILLING INTO ELECTRICAL CORDS OR CABLES CAN CAUSE DEATH OR SERIOUS PERSONAL INJURY! ALWAYS make certain area behind mounting surface is free of electrical wires and cables before drilling or installing fasteners.



**WARNING:** EXPLOSION AND FIRE HAZARD! CUTTING OR DRILLING INTO GAS PLUMBING CAN CAUSE DEATH OR SERIOUS PERSONAL INJURY! ALWAYS make certain area behind mounting surface is free of gas, water, waste, or any other plumbing before cutting, drilling, or installing fasteners.

1. Install PACY3 onto mount following the instructions provided with the mount. (See Figure 10)

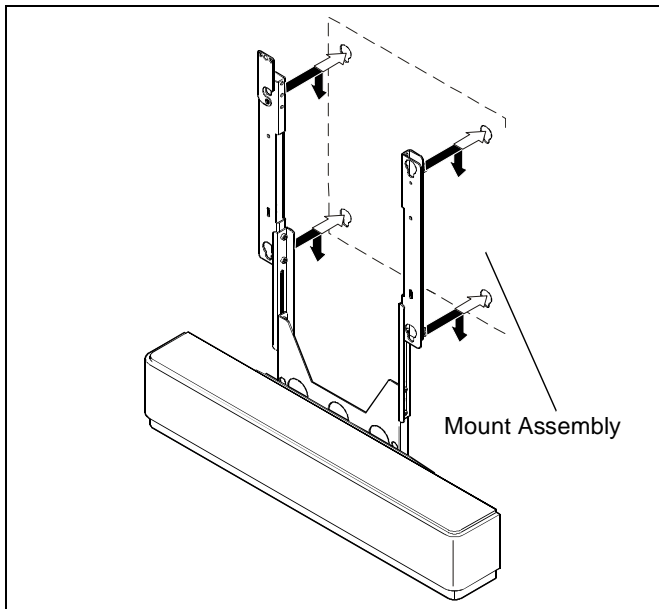


Figure 10

2. While supporting speaker assembly, loosen four button head cap screws (L) securing right and left bottom speaker brackets (D and E) to center speaker bracket (F) and move speaker assembly to lowest position. (See Figure 11)

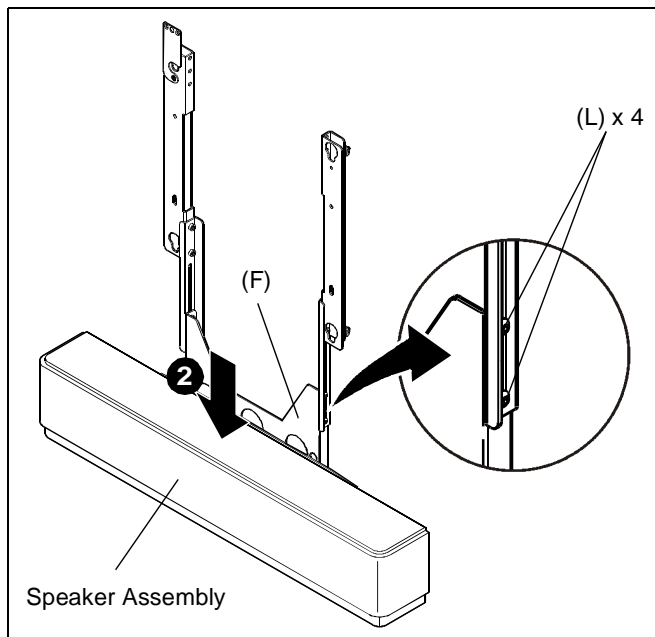


Figure 11

3. Open latching flag.
4. Install mounting buttons on display following instructions provided with mount.

5. Slide mounting buttons on display into teardrop holes in right and left speaker mounting supports (B and C), and lower display until recessed area of mounting buttons is seated in lower area of teardrop mounting holes. (See Figure 12)
6. Close latching flag to secure display to speaker adapter accessory.

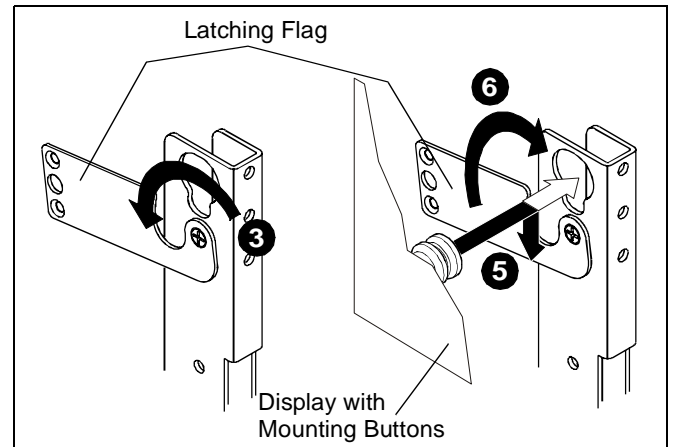


Figure 12

7. Route wires and cables.
8. Raise speaker assembly to desired position and secure by tightening four button head cap screws (L) securing right and left bottom speaker brackets (D and E) to center speaker bracket (F).



Our Mounts. **Your Vision.**

Chief Manufacturing, a products division of Milestone AV Technologies

8807-000074 Rev01  
©2010 Milestone AV Technologies, a  
Duchossois Group Company  
[www.chiefmfg.com](http://www.chiefmfg.com)  
09/10

<b>USA/International</b>	<b>A</b> 8401 Eagle Creek Parkway, Savage, MN 55378 <b>P</b> 800.582.6480 / 952.894.6280 <b>F</b> 877.894.6918 / 952.894.6918
<b>Europe</b>	<b>A</b> Fellenoord 130 5611 ZB EINDHOVEN, The Netherlands <b>P</b> +31 (0)40 2668620 <b>F</b> +31 (0)40 2668615
<b>Asia Pacific</b>	<b>A</b> Office No. 1 on 12/F, Shatin Galleria 18-24 Shan Mei Street Fotan, Shatin, Hong Kong <b>P</b> 852 2145 4099 <b>F</b> 852 2145 4477

