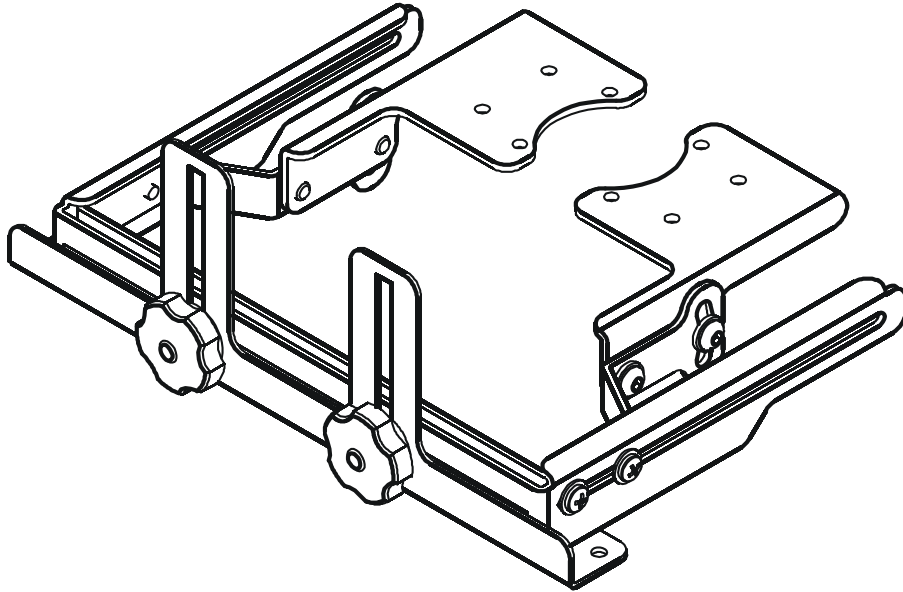

INSTALLATION INSTRUCTIONS



Panamorph Lens Support

DISCLAIMER

Milestone AV Technologies, Inc., and its affiliated corporations and subsidiaries (collectively, "Milestone"), intend to make this manual accurate and complete. However, Milestone makes no claim that the information contained herein covers all details, conditions or variations, nor does it provide for every possible contingency in connection with the installation or use of this product. The information contained in this document is subject to change without notice or obligation of any kind. Milestone makes no representation of warranty, expressed or implied, regarding the information contained herein. Milestone assumes no responsibility for accuracy, completeness or sufficiency of the information contained in this document.

! IMPORTANT WARNINGS AND CAUTIONS!

! WARNING: A WARNING alerts you to the possibility of serious injury or death if you do not follow the instructions.

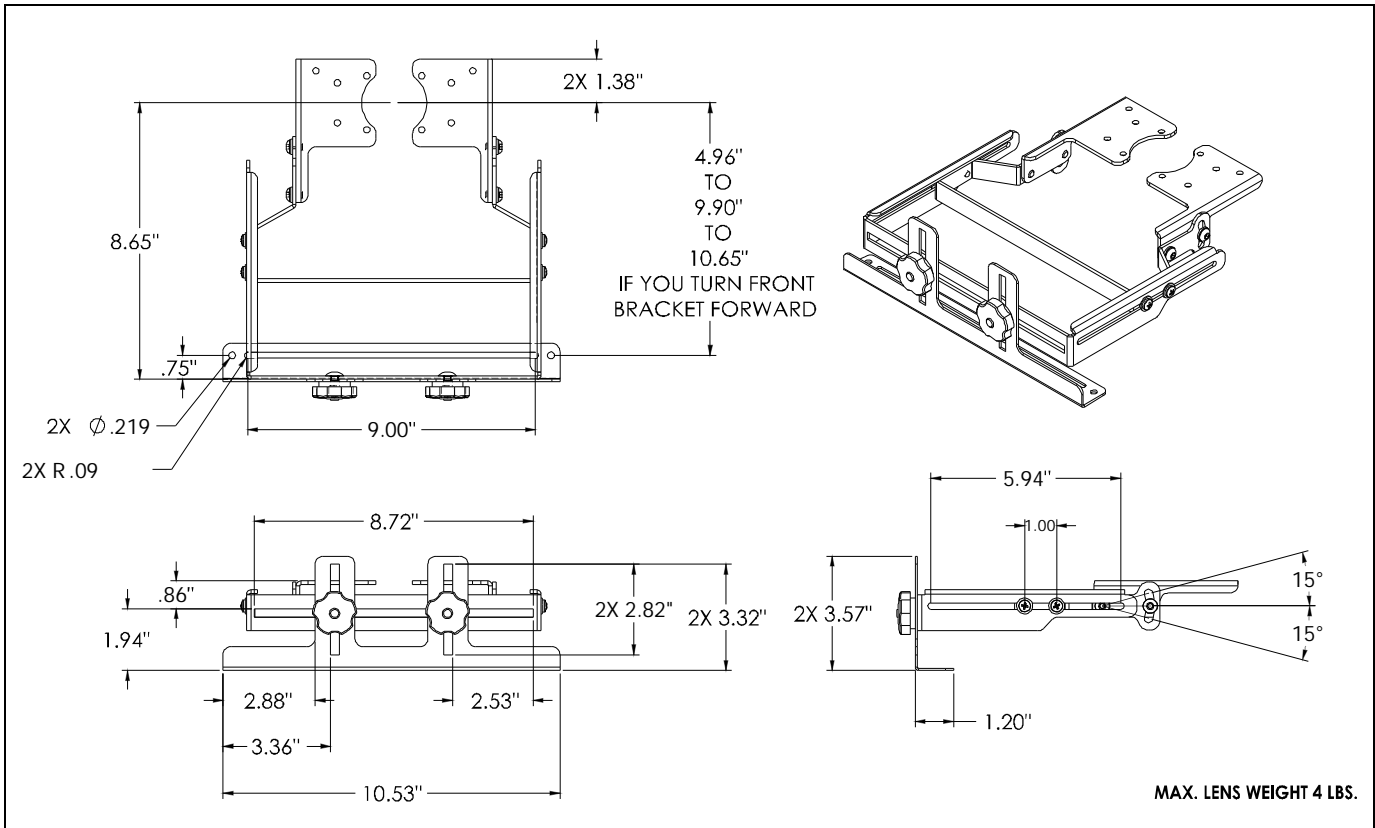
! CAUTION: A CAUTION alerts you to the possibility of damage or destruction of equipment if you do not follow the corresponding instructions.

! WARNING: Failure to read, thoroughly understand, and follow all instructions can result in serious personal injury, damage to equipment, or voiding of factory warranty! It is the installer's responsibility to make sure all components are properly assembled and installed using the instructions provided.

! WARNING: Failure to provide adequate structural strength for this component can result in serious personal injury or damage to equipment! It is the installer's responsibility to make sure the structure to which this component is attached can support five times the combined weight of all equipment. Reinforce the structure as required before installing the component.

! WARNING: Exceeding the weight capacity can result in serious personal injury or damage to equipment! It is the installer's responsibility to make sure the combined weight of all components attached to the PAN-2 does not exceed 4 lbs (1.8 kg).

DIMENSIONS



LEGEND

	Tighten Fastener
	Apretar elemento de fijación
	Befestigungsteil festziehen
	Apertar fixador
	Serrare il fissaggio
	Bevestiging vastdraaien
Serrez les fixations	

	Loosen Fastener
	Aflojar elemento de fijación
	Befestigungsteil lösen
	Desapertar fixador
	Allentare il fissaggio
	Bevestiging losdraaien
Desserrez les fixations	

	Phillips Screwdriver
	Destornillador Phillips
	Kreuzschlitzschraubendreher
	Chave de fendas Phillips
	Cacciavite a stella
	Kruiskopschroevendraaier
Tournevis à pointe cruciforme	

	Open-Ended Wrench
	Llave de boca
	Gabelschlüssel
	Chave de bocas
	Chiave a punte aperte
	Steeksleutel
Clé à fourche	

	By Hand
	A mano
	Von Hand
	Com a mão
	A mano
	Met de hand
À la main	

	Hex-Head Wrench
	Llave de cabeza hexagonal
	Sechskantschlüssel
	Chave de cabeça sextavada
	Chiave esagonale
	Zeskantsleutel
Clé à tête hexagonale	

	Pencil Mark
	Marcar con lápiz
	Stiftmarkierung
	Marcar com lápis
	Segno a matita
	Potloodmerkteken
Marquage au crayon	

	Drill Hole
	Perforar
	Bohrloch
	Fazer furo
	Praticare un foro
	Gat boren
Percez un trou	

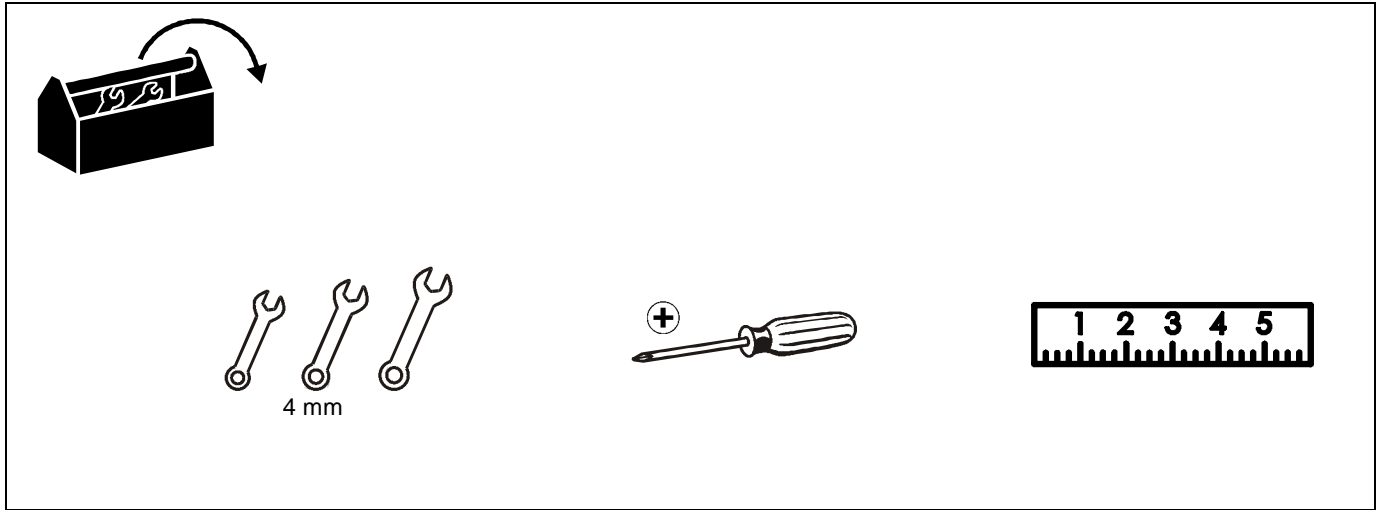
	Adjust
	Ajustar
	Einstellen
	Ajustar
	Regolare
	Afstellen
Ajuster	

	Remove
	Quitar
	Entfernen
	Remover
	Rimuovere
	Verwijderen
Retirez	

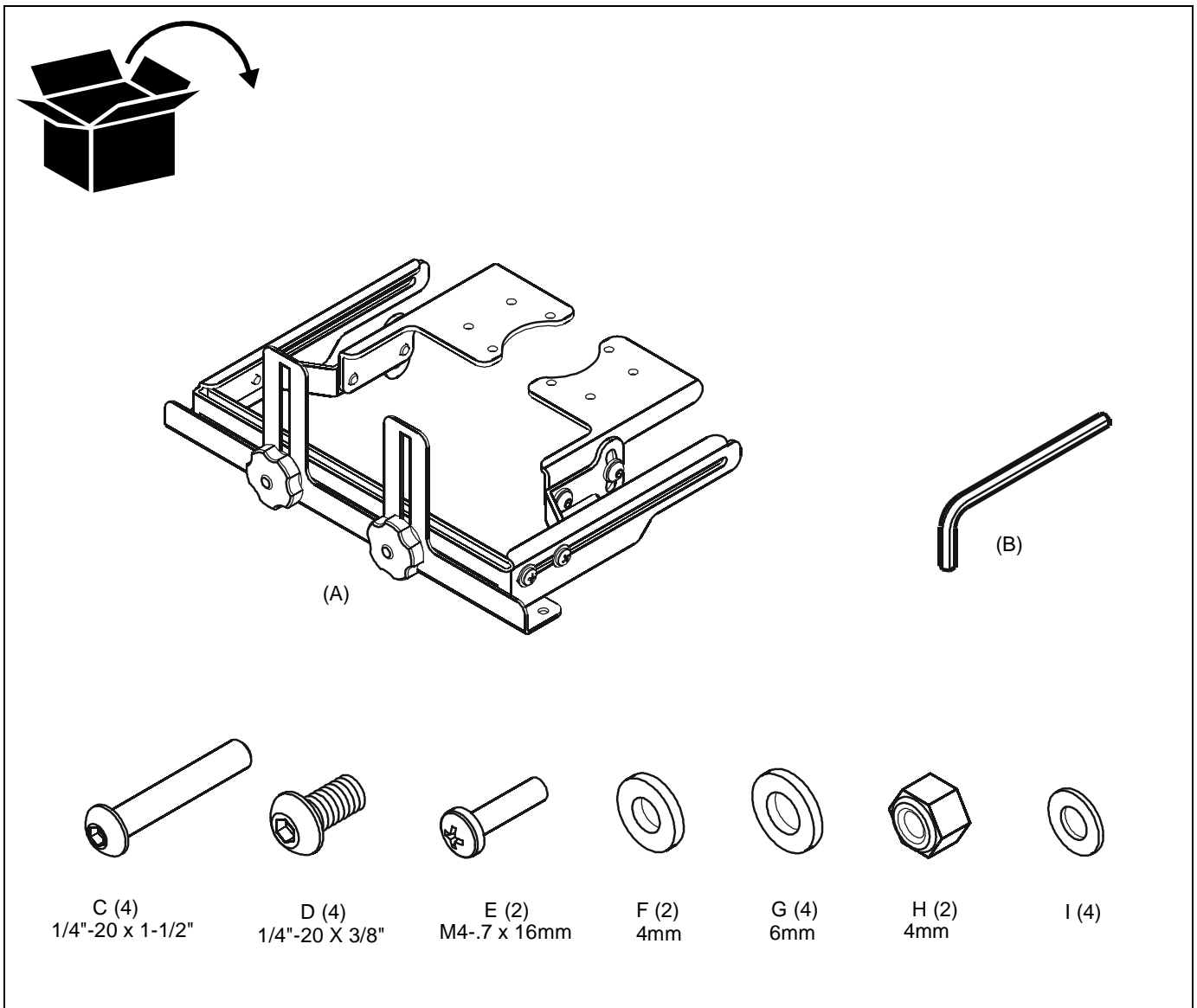
	Optional
	Opcional
	Optional
	Opcional
	Opzionale
	Optie
En option	

	Security Wrench
	Llave de seguridad
	Sicherheitsschlüssel
	Chave de segurança
	Chiave di sicurezza
	Veiligheidssleutel
Clé de sécurité	

TOOLS REQUIRED FOR INSTALLATION



PARTS



Assembly And Installation

NOTE: The PAN2 cannot be used in a flush ceiling mount.

NOTE: The projector must be removed from the mount before installing this accessory.

Removing Projector from Ceiling Mount

1. Power off the projector and disconnect the power cord.
2. Disconnect any audio/video cables from the projector.
3. Loosen and remove the thumbscrews securing the projector to the RPA/RPM mount. (See Figure 1)

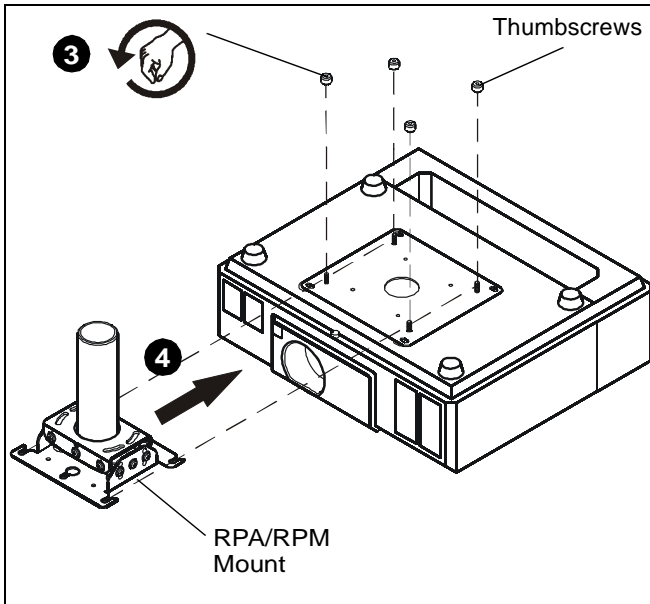


Figure 1

4. Carefully slide the projector forward until it disengages from the RPA/RPM mount.

Attaching PAN2 to RPA

1. Attach RPA to PAN2 (A) using four 1/4"-20 x 3/8" button head cap screws (D) and four 6mm flat washers (G). (See Figure 2). Proceed to **Attaching Lens Bracket to PAN2**.

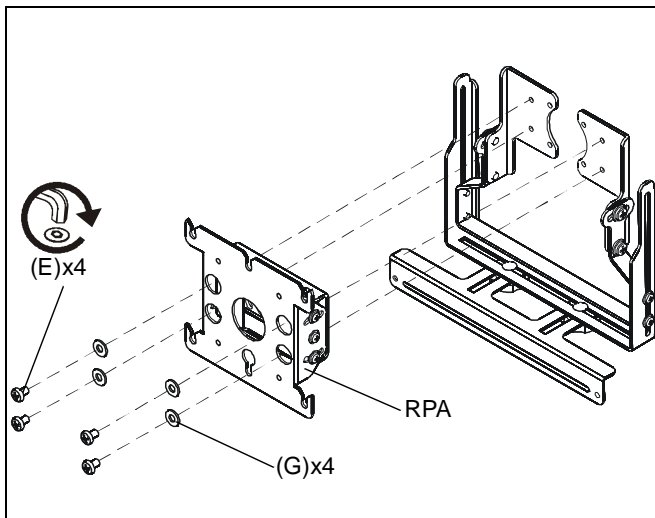


Figure 2

Attaching PAN2 to RPM

1. Attach RPM to PAN2 (A) using four 1/4"-20 x 1-1/2" button head cap screws (C) and four 6mm flat washers (G). (See Figure 3).

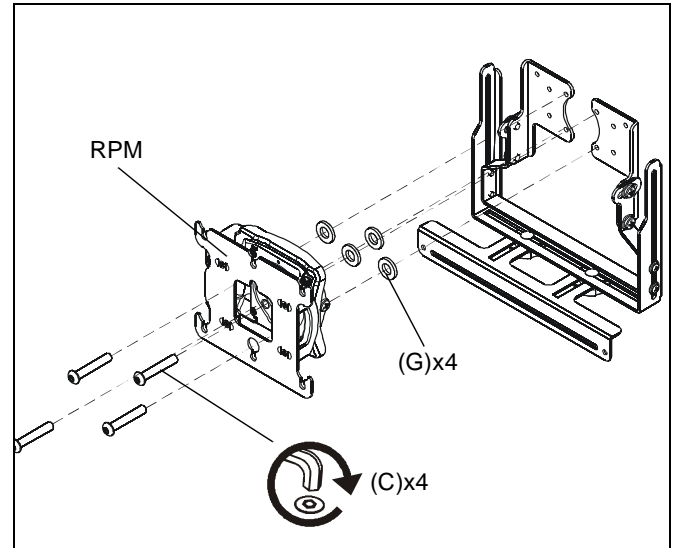


Figure 3

Attaching Lens Bracket to PAN2

NOTE: The lens bracket attachment method depends upon the type of lens bracket being used. See Figures 4 and 5.

1. Attach the lens bracket to the PAN2 using two M4-.7x16mm Philips head screws (E), two 4mm washers (F), two 4mm locking nuts (H), and four spacers (I). (See Figures 4 and 5)

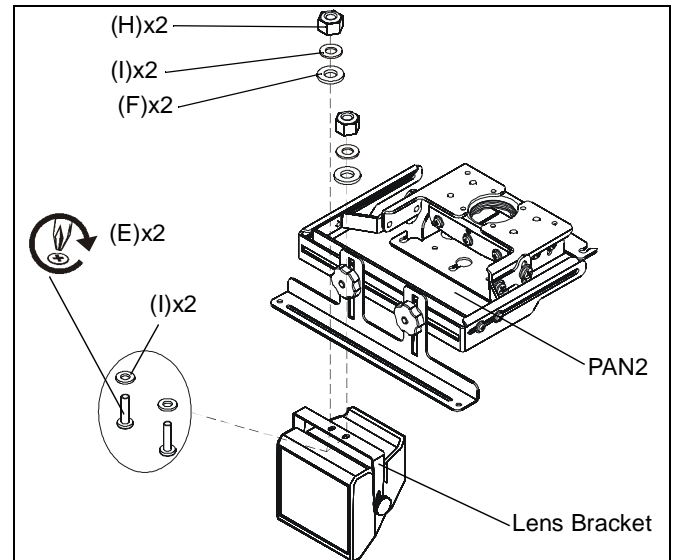


Figure 4

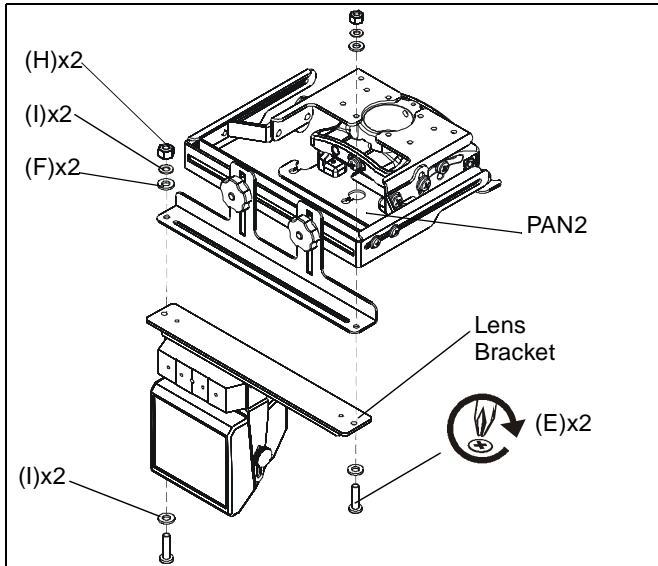


Figure 5

2. Follow the lens instructions to prepare the lens for use.

Reattach Projector to Ceiling Mount

1. Reattach the RPA/RPM mount to the 1-1/2" pipe from the ceiling mount.
2. Carefully slide projector forward until it engages in the RPA/RPM mount. (See Figure 6)

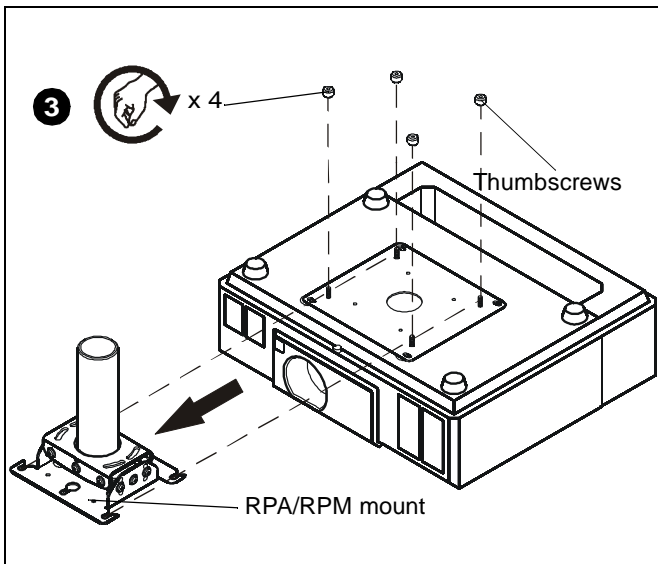


Figure 6

3. Install and tighten thumbscrews to secure projector to the RPA/RPM mount.
4. Reconnect all cables to the projector.



8803-000075 Rev.A
©2008 Chief Manufacturing
www.chiefmfg.com
02/08

USA/International	A 8401 Eagle Creek Parkway, Savage, MN 55378 P 800.582.6480 / 952.894.6280 F 877.894.6918 / 952.894.6918
Europe	A Fellenoord 130 5611 ZB EINDHOVEN, The Netherlands P +31 (0)40 2668620 F +31 (0)40 2668615
Asia Pacific	A Room 24F, Block D, Lily YinDu International Building LuoGang, BuJi Town, Shenzhen, CHINA. 深圳市布吉罗岗村百合银都国际大厦D栋24F P +86-755-8996 9226 F +86-755-8996 9217