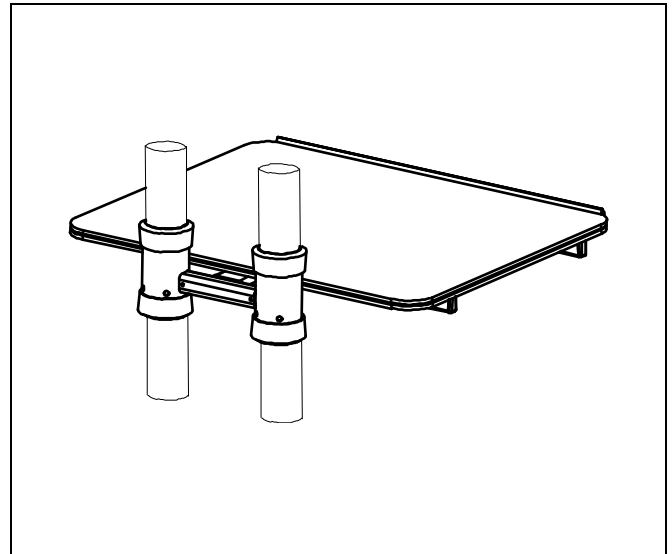

INSTALLATION INSTRUCTIONS

18" X 24" Equipment Shelf

Model: PAS-1

PAS-1 Features:

- 60 lbs (27kg) pound weight capacity accomodates numerous equipment options.
- Infinite height adjustment for maximum flexibility.
- Raised front edge helps keep equipment securely on shelf.
- Installs on all Chief Mfg CMA Series Extension Columns as well as 2" chrome posts.



BEFORE YOU BEGIN



CAUTION: To prevent damage to your equipment and the PAS-1, which could affect or void the Factory warranty, thoroughly study all instructions and illustrations before you begin to install the mount. Pay particular attention to the Warnings and Cautions in this document.

- The maximum weight to be installed on the PAS-1 shelf is 60 lbs (27kg).
- If you have any questions about this installation, contact Chief Manufacturing at 1-800-582-6480 or 952-894-6280.

! IMPORTANT WARNINGS AND CAUTIONS!

WARNING: A WARNING alerts you to the possibility of serious injury or death if you do not follow the instructions.

CAUTION: A CAUTION alerts you to the possibility of damage or destruction of equipment if you do not follow the corresponding instructions.



WARNING: Improper assembly or installation can result in serious personal injury or equipment damage! Ensure all equipment is properly assembled and installed using instructions provided.



WARNING: Improper loading can result in serious personal injury or equipment damage! Ensure equipment is distributed evenly across shelf.



WARNING: Excessive weight can result in serious personal injury or equipment damage! Ensure weight of equipment on shelf does not exceed 60 lbs (27 kg), and combined weight of shelf and all equipment (including display) does not exceed maximum weight for display stand/cart. See instructions included with display stand/cart, or contact Chief Customer Service at 1-800-582-6480.



CAUTION: Check the unit for shipping damage before you begin the installation.

TOOLS REQUIRED FOR INSTALLATION

- 5/32" Hex Key (provided)

NOTE: Other tools may be required depending on your method of installation.

PARTS

Unpack carton, inspect and verify contents (See Figure 1). Read installation instructions completely. If any listed parts are missing, contact Chief Customer Service at 1-800-582-6480.

Table 1: Parts

10	PAS-1 EQUIPMENT SHELF ASSEMBLY	1
20	SET SCREW, 5/16" - 18	4
30	HEX KEY, 5/32"	1

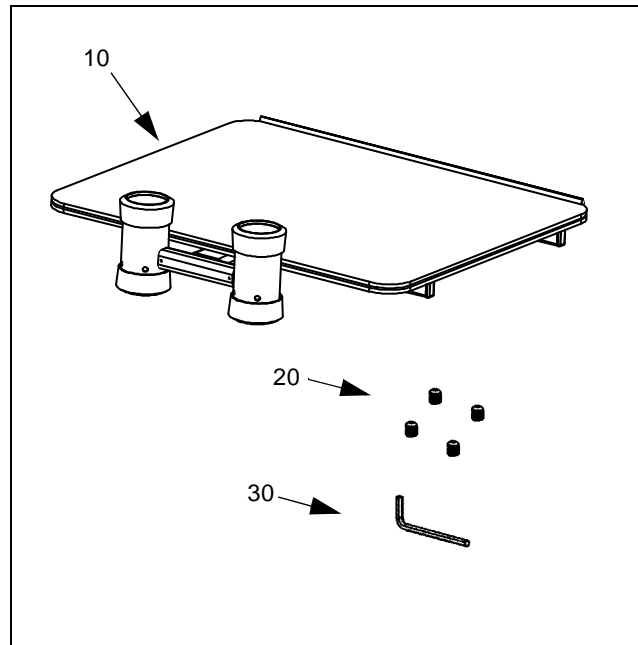
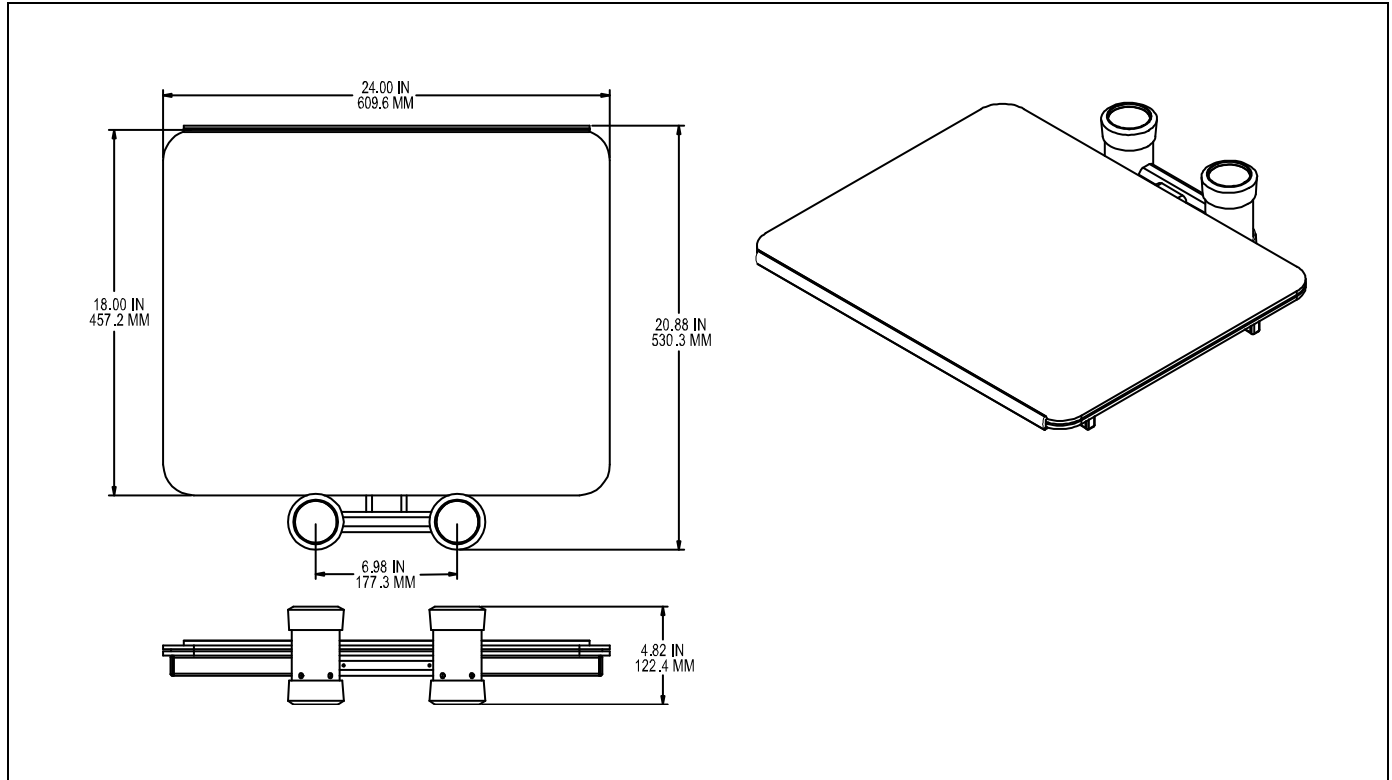


Figure 1: Parts

DIMENSIONAL DRAWING



INSTALLATION

SHELF INSTALLATION

NOTE: Read the Warnings and Cautions on page 2.

Perform the following procedures to install shelf:

1. If applicable, remove display and mounting head from posts. See instructions included with display stand/cart, or contact Chief Customer Service at 1-800-582-6480.



WARNING: Shelf must be oriented such that shelf hangs over and within footprint of base (toward front of display). Failure to do this can result in serious personal injury or equipment damage! (See Figure 2).

2. Place shelf (10) over both posts and lower to desired height.



WARNING: Failure to install and tighten all set screws can result in serious personal injury or equipment damage!



CAUTION: Do not overtighten set screws to avoid damage to post.

3. Install 5/16"-18 set screw (20) into each of four threaded collars on shelf (10). Securely tighten using hex key (30).
4. Install mounting head and display to posts. See instructions included with display stand/cart, or contact Chief Customer Service at 1-800-582-6480.

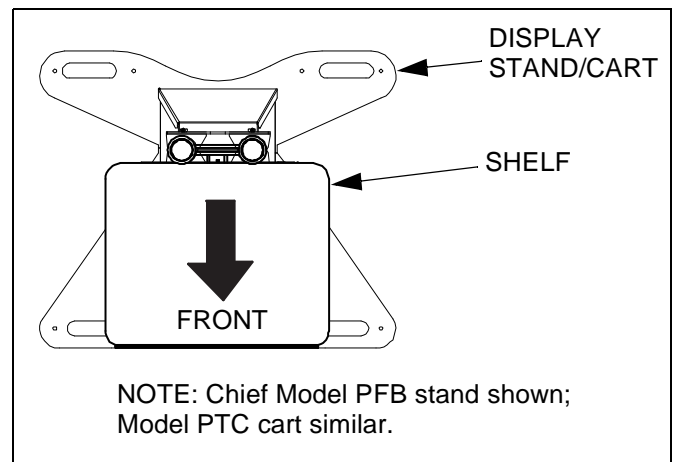


Figure 2: Shelf Installation (Top View Looking Down)

