



# PLASMA DISPLAY MOUNTING BRACKET PDB-60

Unpack and check contents:

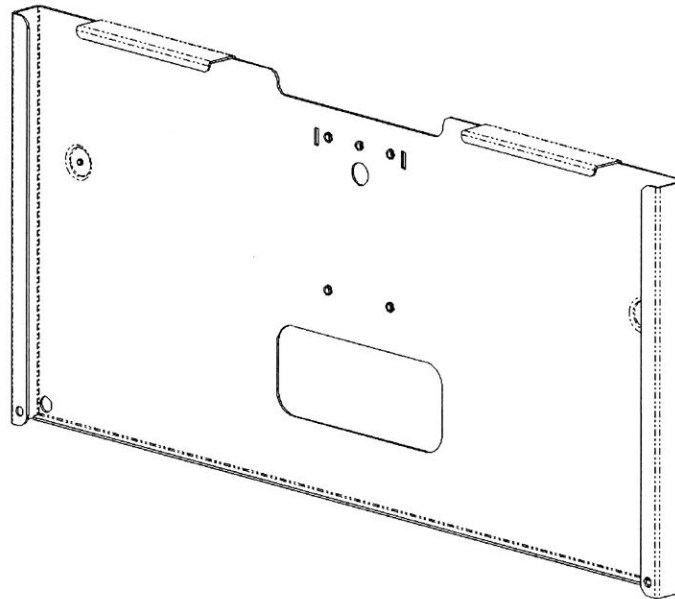
- (1) PDB - 60 Plasma Mounting Bracket
- (2) M10 - 1.25 x 20mm Socket Head Cap Screws
- (5) 5/16 - 18 x 5/8" Hex Head Bolts
- (1) 8mm Long Arm Allen Key
- (5) 3/8" ID x 29/32" OD Flat Washers

### Installation Instructions:

1. Hook upper flanges over flanges on back of Plasma Display & align lower hole pattern over threaded inserts near bottom of Plasma Display.
2. Attach to Plasma Display using (2) M10 - 1.25 x 20mm SHCS.
3. With the aid of another person, lift Plasma Display up to Chief Mount. There are two rectangular slots oriented at the top of the mounting pattern. Align the two rectangular slots in Plasma Mounting Bracket, with exposed J-hooks on Chief Mount, and hang Plasma Display onto J-hooks. Attach Plasma Display to Chief Mount using (5) 5/16 - 18 x 5/8" bolts & (5)  $\emptyset$  3/8" ID x  $\emptyset$  29/32" flat washers.

PDB-60 bracket drawing

8800-000037



**CAUTION: PLASMA DISPLAYS ARE EXTREMELY FRAGILE!**  
Carefully lay display screen-side-down on a clean, preferably cushioned surface.