



INSTALLATION INSTRUCTIONS

PDB-61

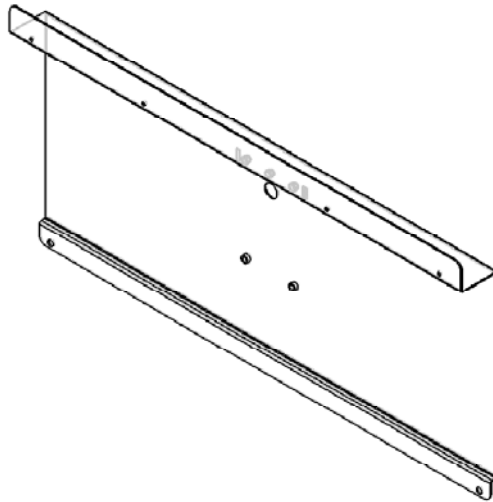
PLASMA DISPLAY MOUNTING BRACKET

for Philips 42FD9932

Prior to assembly, unpack carton completely and verify contents.

If you are missing any of the following components, please contact Customer Service at 1-800/582-6480

(1) PDB-61 Plasma Mounting Bracket



(2) M10 x 20mm Hex Bolts
(4) 5/16 - 18 x 5/8" Hex Head Bolts

(2) M10 Flatwashers
(4) Ø 3/8" ID x Ø 29/32" OD Flat Washers

BEFORE PROCEEDING, READ INSTALLATION INSTRUCTIONS COMPLETELY

CAUTION!

**PLASMA DISPLAYS ARE EXTREMELY FRAGILE.
CAREFULLY LAY DISPLAY SCREEN-SIDE-DOWN
ON A CLEAN, PREFERABLY CUSHIONED, SURFACE.**

1. Installation of this mount will require a (T-20) Torx wrench for the removal and installation of the PDB-61. (Remove the (4) Torx screws from the aluminum bracket and place the aluminum bracket somewhere if needed for future use.
2. Place the PDB-61 bracket on the back of the plasma display lining up two lower and four upper holes in the bracket with the threaded inserts in the back of the plasma display.
3. Install the (4) Torx screws you removed earlier in to the same four upper holes in the PDB-61.
4. Install the (2) M10 hex bolts and flatwashers in the two lower holes and snug all six fasteners.
5. With the aid of another person, lift Plasma Display up to Chief Mount.

There are two rectangular slots oriented at the top of the mounting pattern. Align the two rectangular slots in Plasma Mounting Bracket, with exposed J-hooks on Chief Mount, and hang Plasma Display onto J-hooks. Attach Plasma Display to Chief Mount using (4) 5/16 - 18 x 5/8" bolts & (4) Ø 3/8" ID x Ø 29/32" flat washers.