
INSTALLATION INSTRUCTIONS

Plasma Floor Stand (PFB-2000DB)

Chief's Plasma Floor Stand is a safe, stable, easy-to-install modular design solution for digital signage and presentations. Ideal where wall or ceiling mounting is impractical, the floor stand offers maximum exposure and security for your display.

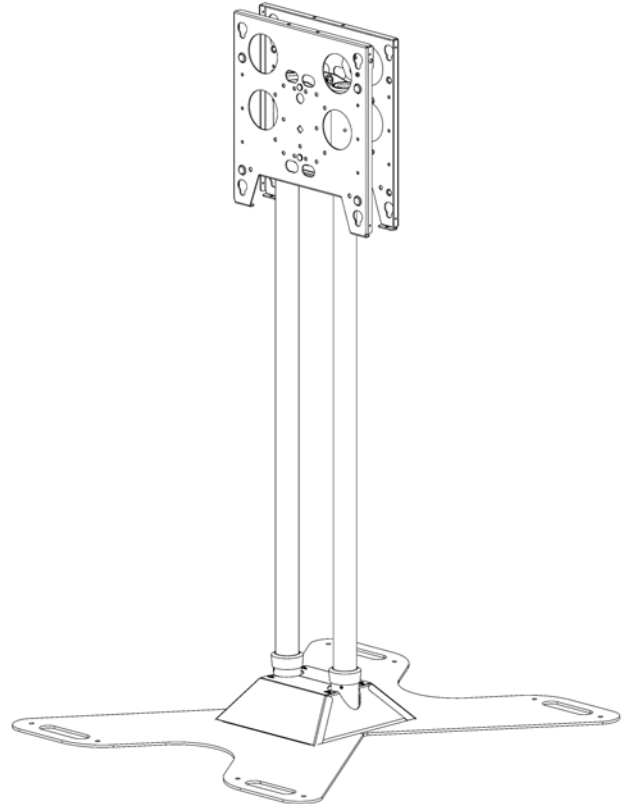
The flat base of the Plasma Floor Stand can be free standing or anchored and can be concealed under carpeting for easy traffic around the display. The Dual Baseplate model supports one or more displays facing in two directions and accommodates horizontal (landscape) or vertical (portrait) mounting of your display and your display(s) can be mounted anywhere along the vertical poles to achieve the perfect viewing height.

Additional displays can be stacked by ordering additional attachment heads (PAC-142). Small Flat Panel Displays may be mounted using Chief accessories (PAC-144).

Using Chief's exclusive Q-latch® Mounting System for easy installation, the Floor Stand provides stable mounting, quick release and optional security.

Q-Latch® is a registered trademark of Chief Manufacturing, Inc.

All rights reserved.



BEFORE YOU BEGIN

CAUTION: To prevent damage to the Plasma Floor Stand, which could affect or void the Factory warranty, thoroughly study all instructions and illustrations before you begin to assemble the unit. Pay particular attention to the "Important Precautions" on Page 2.

- You must have (order separately) the correct adapter (PSB) for your display model.
- The maximum weight to be installed on the Plasma Floor Stand is 300 pounds (136.08 Kg).
- If you have any questions about this assembly, contact Chief Manufacturing at 1-952-894-6280.



IMPORTANT WARNINGS and CAUTIONS!

WARNING: A WARNING alerts you to the possibility of serious injury or death if you do not follow the instructions.

CAUTION: A CAUTION alerts you to the possibility of damage or destruction of equipment if you do not follow the corresponding instructions.

WARNING: Make sure to place the Plasma Floor Stand on a smooth, level surface.

WARNING: Improper installation can result in serious personal injury! Make sure that the structural members can support a redundant weight factor five times the total weight of the equipment. If the structure can not support this weight, reinforce the structure before completing installation.

WARNING: Do not attempt to hang the Plasma Display Panel onto the Plasma Floor Stand alone. Always use two people to hang the Plasma Display Panel.

CAUTION: Inspect the unit for shipping damage.

TOOLS REQUIRED FOR INSTALLATION

- 7/16", 1/2" and 9/16" wrench
- Phillips Head Screwdriver
- Allen wrenches
- Socket set with extension

NOTE: Other tools may be required depending on the method of installation.

CONTENTS

IMPORTANT WARNINGS and CAUTIONS!	2
TOOLS REQUIRED FOR INSTALLATION ...	2
INSPECT PARTS BEFORE ASSEMBLY	4
ASSEMBLE PLASMA FLOORSTAND	5
Base Plate Installation	5
Stand Assembly	6
MOUNT PLASMA DISPLAY	
ON PLASMA FLOORSTAND	7
Adjustments	7
Roll Tension Adjustment	8

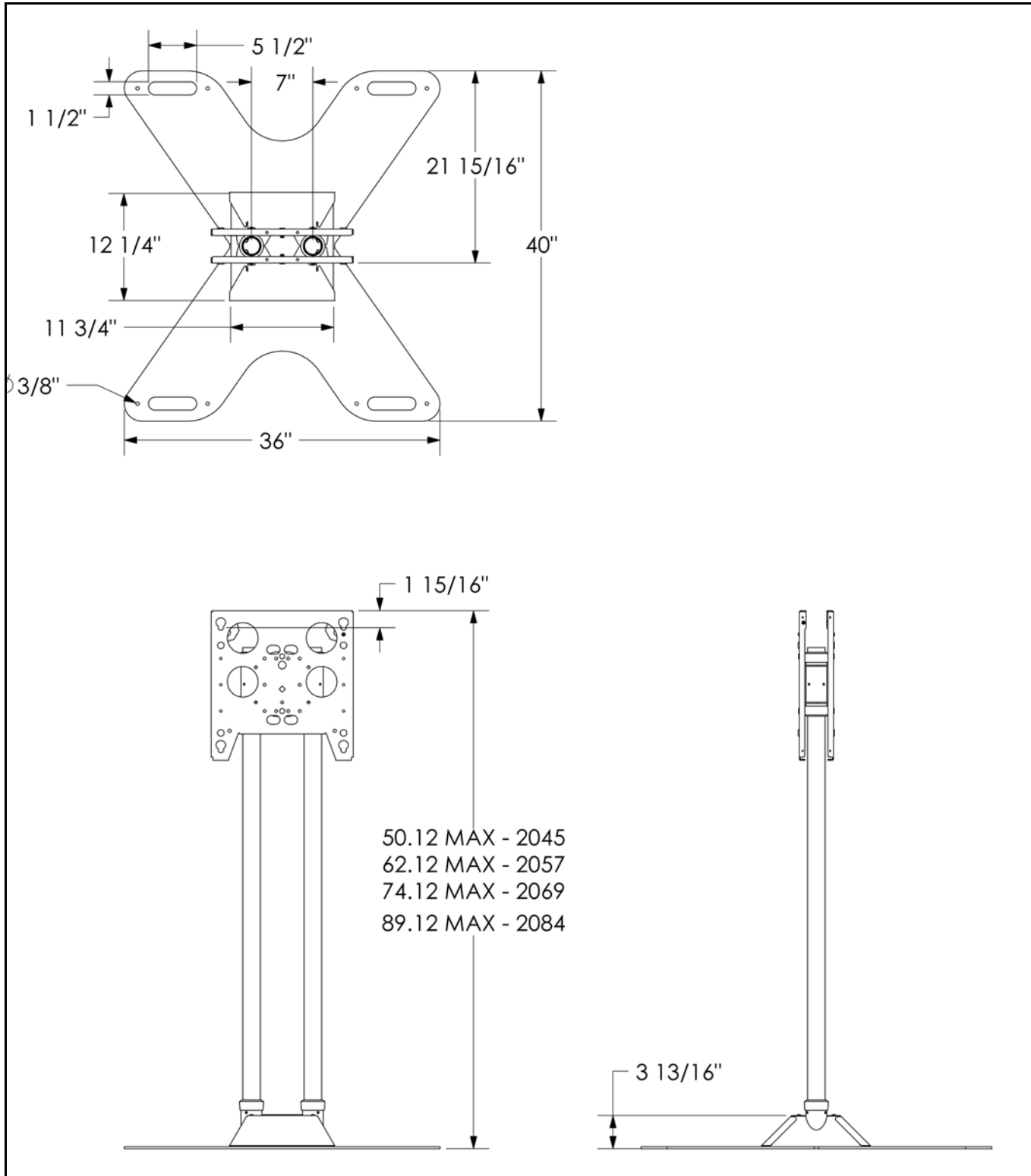


Figure 1: Dimensional Drawing

INSPECT PARTS BEFORE ASSEMBLY

Inspect The Plasma Floor Stand

- Carefully inspect the Floor Stand (see figure 2) components for shipping damage. If any damage is apparent, call your carrier claims agent and do not continue with the assembly procedure until the carrier has reviewed the damage.

NOTE: Read all assembly instructions thoroughly before assembly.

Table 1: Parts

Item#	Description	Qty.
10	Base	1
20	PLATE, Dual Base	2
30	SCREW, Cap, Flat Head 3/8" x 1"	8
40	NUT, Nylock, 3/8-16	8
50	TUBE (45", 57", 69" or 84")	2
60	SCREW, Set, Socket Head, 5/16-18 X 3/8"	4
70	COVER, Base	2
80	SCREW, Phillips, 10-24 X 3/8"	4
90	Head Assembly, Dual Screen Mounting	1
100	WRENCH, Allen, 5/32"	1
110	WRENCH, Allen, 7/32"	1
120	SCREW, SET, SOCKET HEAD, 5/16-18 x 1/2"	4

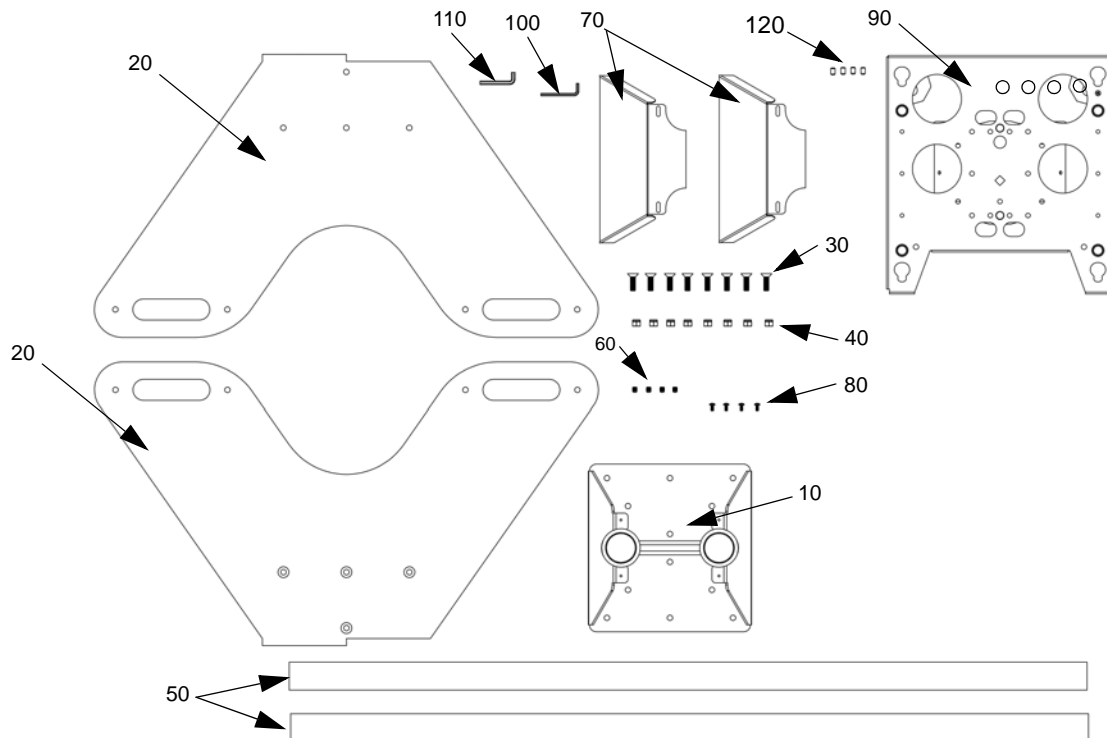


Figure 2: Parts

ASSEMBLE PLASMA FLOORSTAND

Numbers in () refer to parts shown in Figure 2.

To assemble Floor Stand:

1. Place Base (10) at desired location on floor, ensuring location is flat, and capable of supporting five times the combined weight of the stand and all equipment mounted on the stand.
2. Using Base (10) as a template, mark anchor locations on floor.
3. Remove Base (10), drill and install anchors
4. Place Base (10) over anchors.
5. Secure Base (10) to anchors using appropriate mounting hardware. (see figure 3)

Base Plate Installation

1. Place Base (10) upside down
2. Secure Dual Base Plate (20) using eight flat head cap screws (30) and eight 3/8-16 Nylock nuts (50) (see figure 4).
3. Place Base (10) upright.

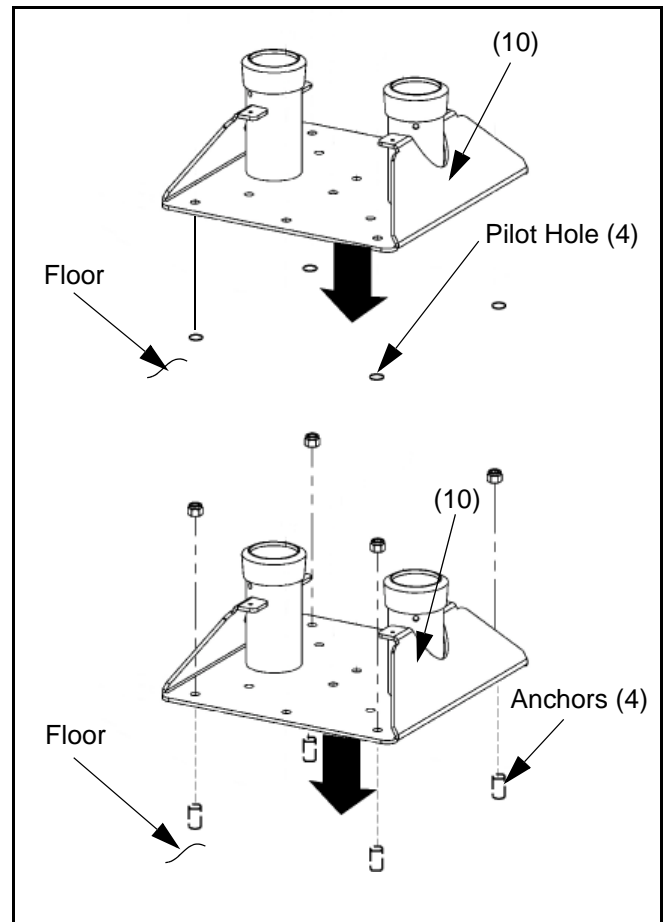


Figure 3: Install Base To Floor

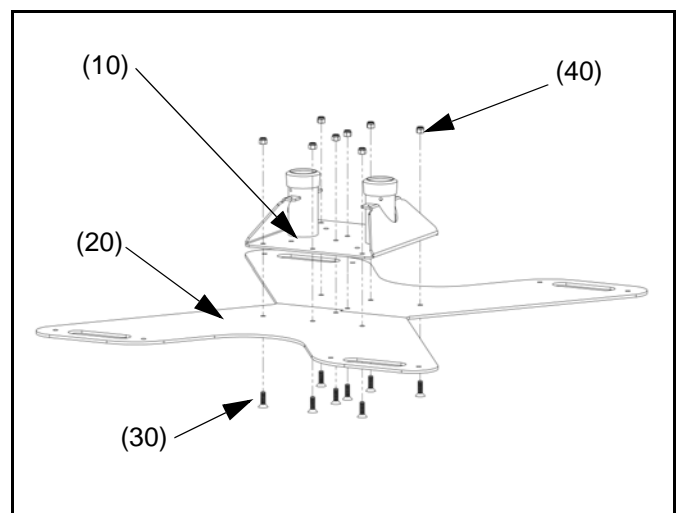


Figure 4: Install Base Plate

Stand Assembly

1. Install two Tubes (50) in Base (10) (see figure 5).
2. Secure tubes (50) using four 5/16-18 X 3/8 socket head set screws (60), (see figure 6).
3. Install two base covers (70) and secure using four 10-24 X 3/8"Phillips screws (80) (see figure 7).
4. Install dual screen mounting bracket (90) on tubes (50), set at desired height, and secure using four 5/16-18 X 3/8 socket head set screws (60) (see figure 8) and (see figure 9).

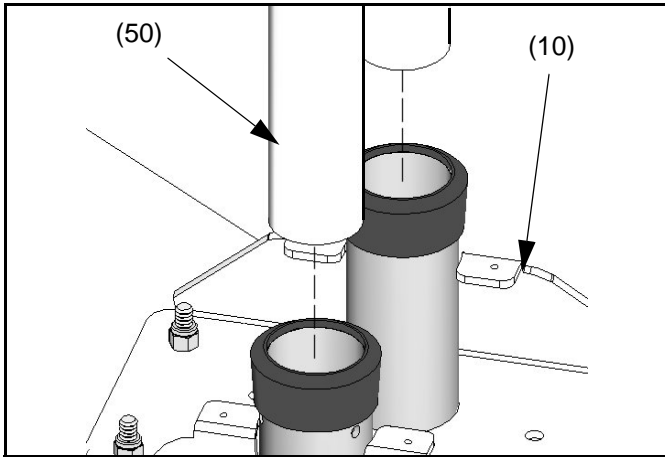


Figure 5: Install Tube(s)

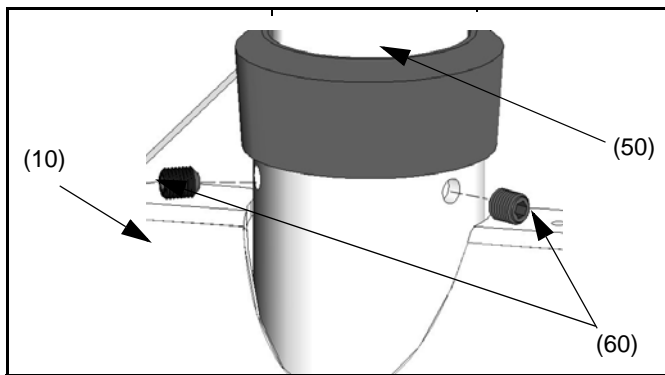


Figure 6: Secure Tube(s)

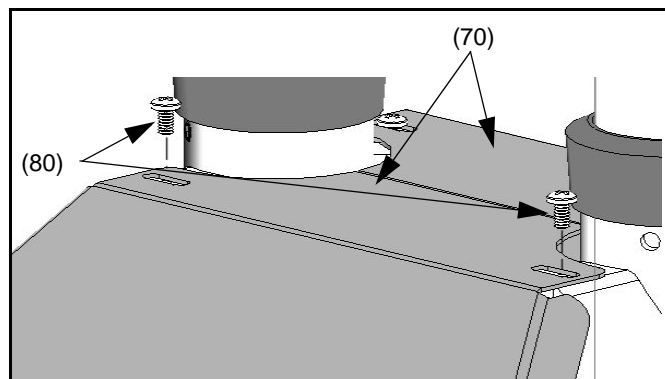


Figure 7: Install Base Covers

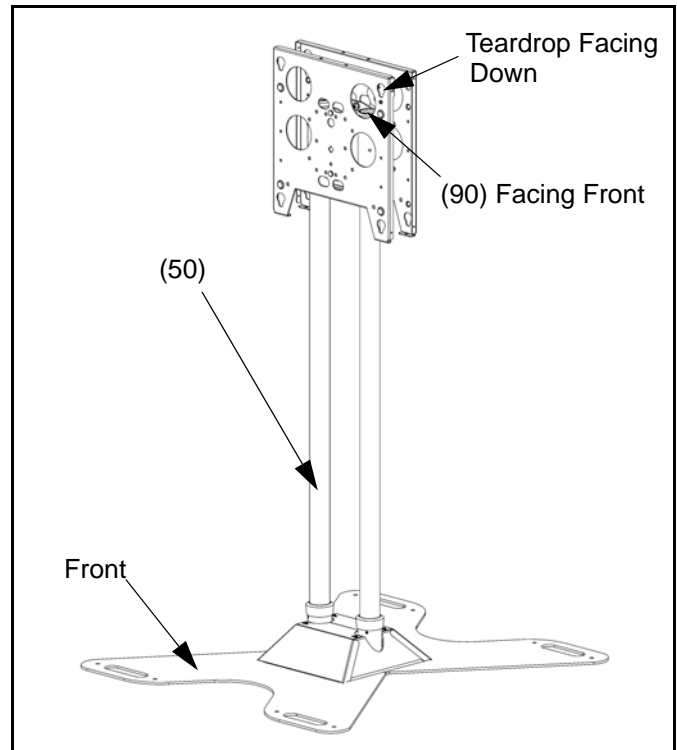
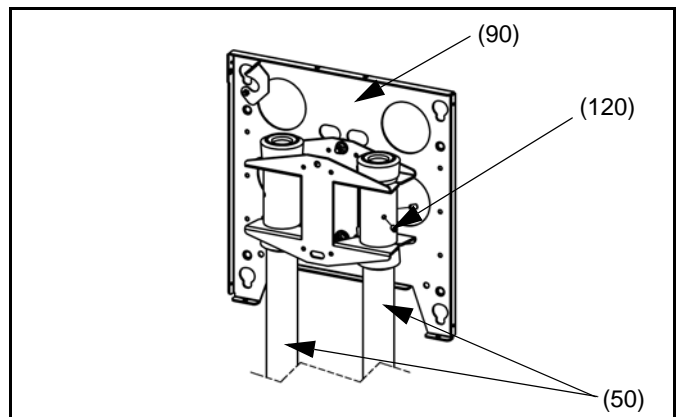


Figure 8: Floorstand Component Orientation



**Figure 9: Mount Faceplate
(second faceplate not shown for clarity)**

MOUNT PLASMA DISPLAY ON PLASMA FLOORSTAND

WARNING: Do not attempt to hang the plasma display onto the stand with one person.

1. Make sure the latch is in the "open" position so it will not obstruct display installation (see figure 10).

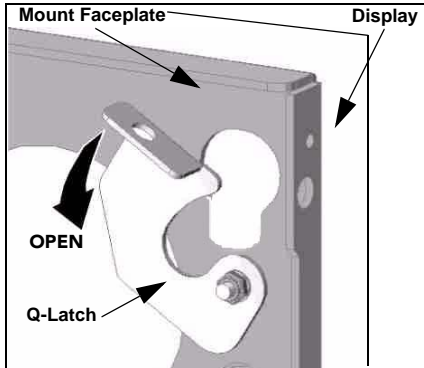


Figure 10: Open Q-Latch

2. With one person supporting each side of the display, align the four mounting buttons with the four teardrop slots in mount faceplate. (see figure 11)

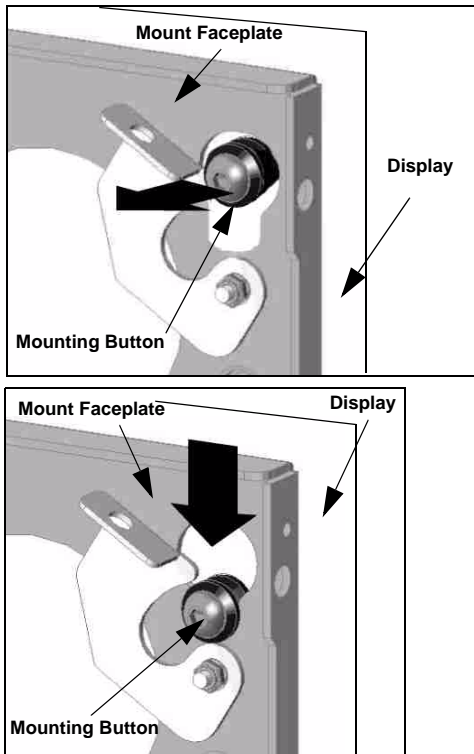


Figure 11: Align Display

3. Secure the display by placing the Q-Latch in the "latched" position. (see figure 12)

NOTE: A hole is provided in Q-Latch and the mount faceplate to accommodate the insertion of a padlock or similar locking device.

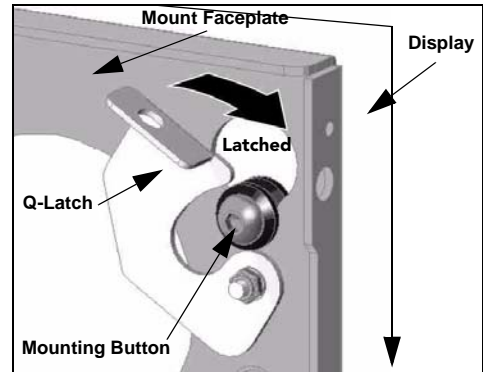


Figure 12: Close Q-Latch

Adjustments

The floor stand is designed to provide 2 degrees of roll adjustment of the display. Roll adjustment is accomplished by grabbing the display on each side and turning it right or left until display is level.

NOTE: Roll adjustment tension has been preset at the factory. If the display will not level, or remain in desired position, adjust roll tension by following the instructions outlined below.

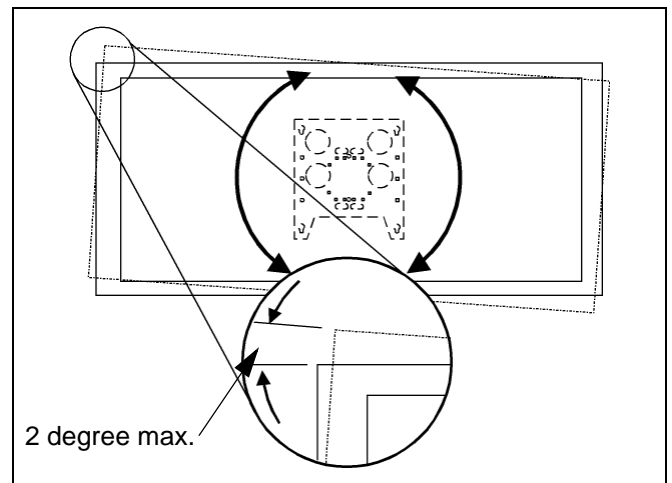
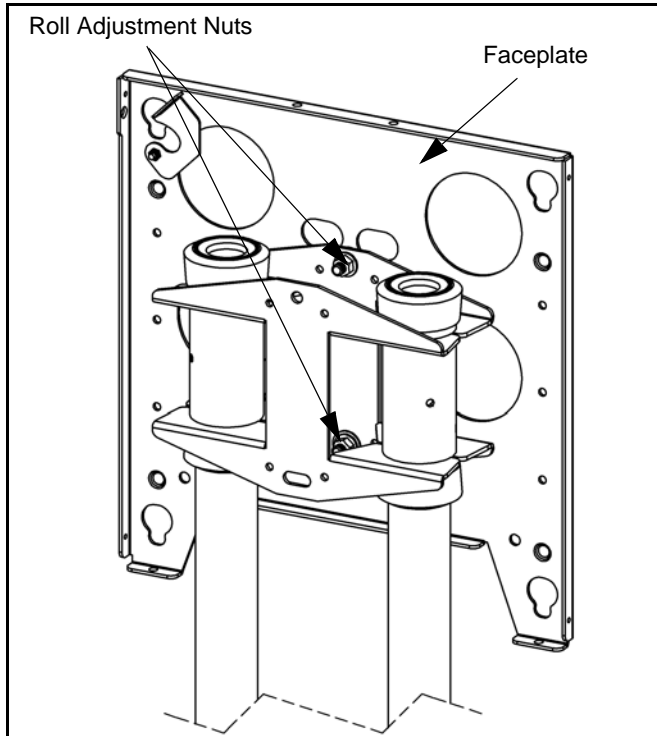


Figure 13: Display Roll Adjustment

Roll Tension Adjustment

To adjust roll tension:

1. Locate roll adjustment nuts on back of faceplate and adjust. Turn clockwise to increase roll tension, counterclockwise to decrease roll tension. (see figure 14).



**Figure 14: Adjust Roll Tension
(second faceplate not shown for clarity)**