
INSTALLATION INSTRUCTIONS

LARGE FLAT PANEL DISPLAY FLOOR STAND

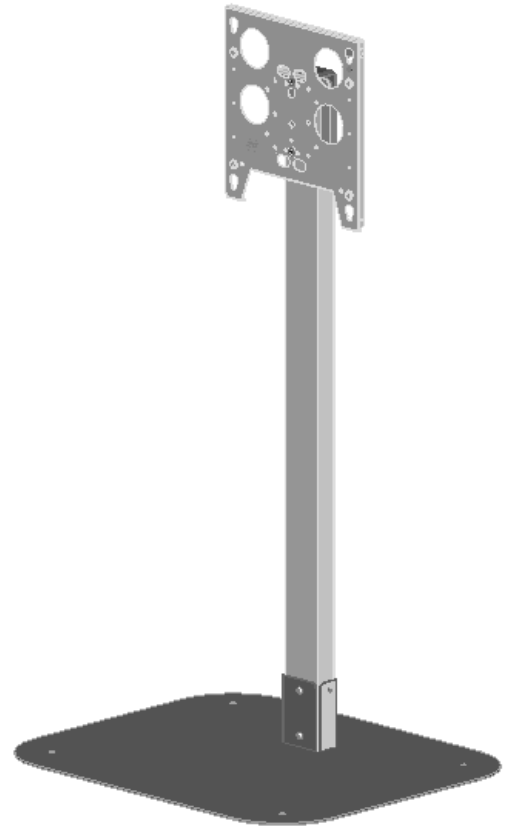
MODELS: PFS-2160, PFS-2172, PFS-2184^{UL}

The Large Flat Panel Display Floor Stand is designed for the mounting of large flat panel displays. The base of the floor stand can be bolted to the floor for additional stability/security.

Using Chief's exclusive Q-latch[®] Mounting System for easy installation, the Floor Stand provides stable mounting, quick release and optional security.

Q-Latch[®] is a registered trademark of Chief Manufacturing, Inc.

All rights reserved.



BEFORE YOU BEGIN

CAUTION: To prevent damage to the Floor Stand, which could affect or void the Factory warranty, thoroughly study all instructions and illustrations before you begin to assemble the unit. Pay particular attention to the "Important Precautions" on Page 2.

- You must have (order separately) the correct adapter for your display model.
- The maximum weight to be installed on the Floor Stand is 100 pounds (54.36 Kg).
- If you have any questions about this assembly, contact Chief Manufacturing at 1-800-582-6480.



IMPORTANT WARNINGS and CAUTIONS!

WARNING: A WARNING alerts you to the possibility of serious injury or death if you do not follow the instructions.

CAUTION: A CAUTION alerts you to the possibility of damage or destruction of equipment if you do not follow the corresponding instructions.

WARNING: Make sure to place the Floor Stand on a smooth, level surface.

WARNING: Improper installation can result in serious personal injury! Make sure that the structural members can support a redundant weight factor five times the total weight of the equipment. If the structure can not support this weight, reinforce the structure before completing installation.

WARNING: Do not attempt to hang the Display onto the Floor Stand alone. Always use two people to hang the Display.

CAUTION: Inspect the unit for shipping damage.

TOOLS REQUIRED FOR INSTALLATION

- 3/8" wrench
- Phillips Head Screwdriver
- Allen wrenches
- Socket set with extension

Other tools may be required depending on the method of installation.

CONTENTS

IMPORTANT WARNINGS and CAUTIONS!	2
TOOLS REQUIRED FOR INSTALLATION	2
INSPECT PARTS BEFORE ASSEMBLY	4
ASSEMBLE FLOOR STAND	5
MOUNT DISPLAY ON FLOORSTAND	6
ADJUSTMENTS	7
Roll Tension Adjustment	7

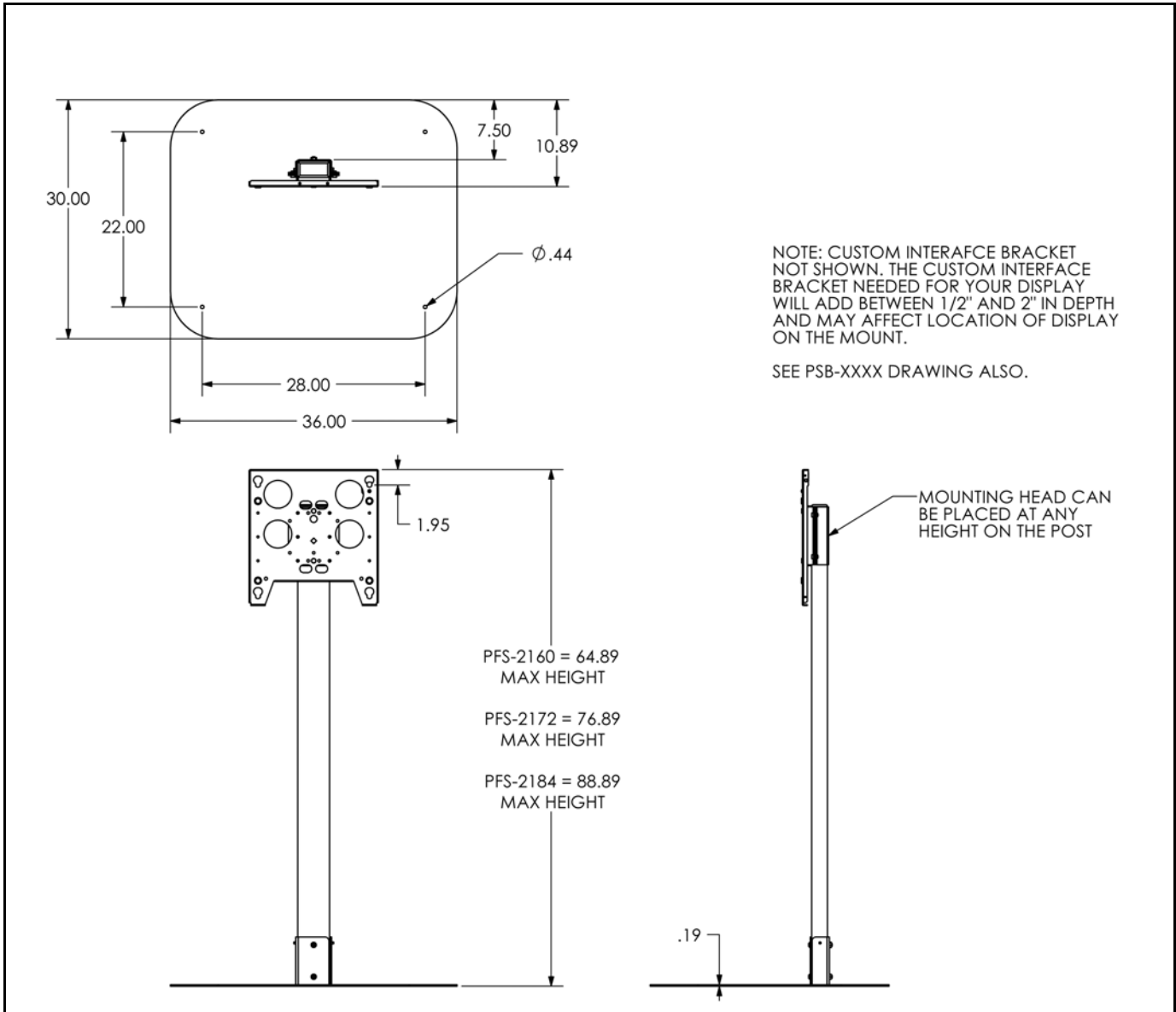


Figure 1: Dimensional Drawing

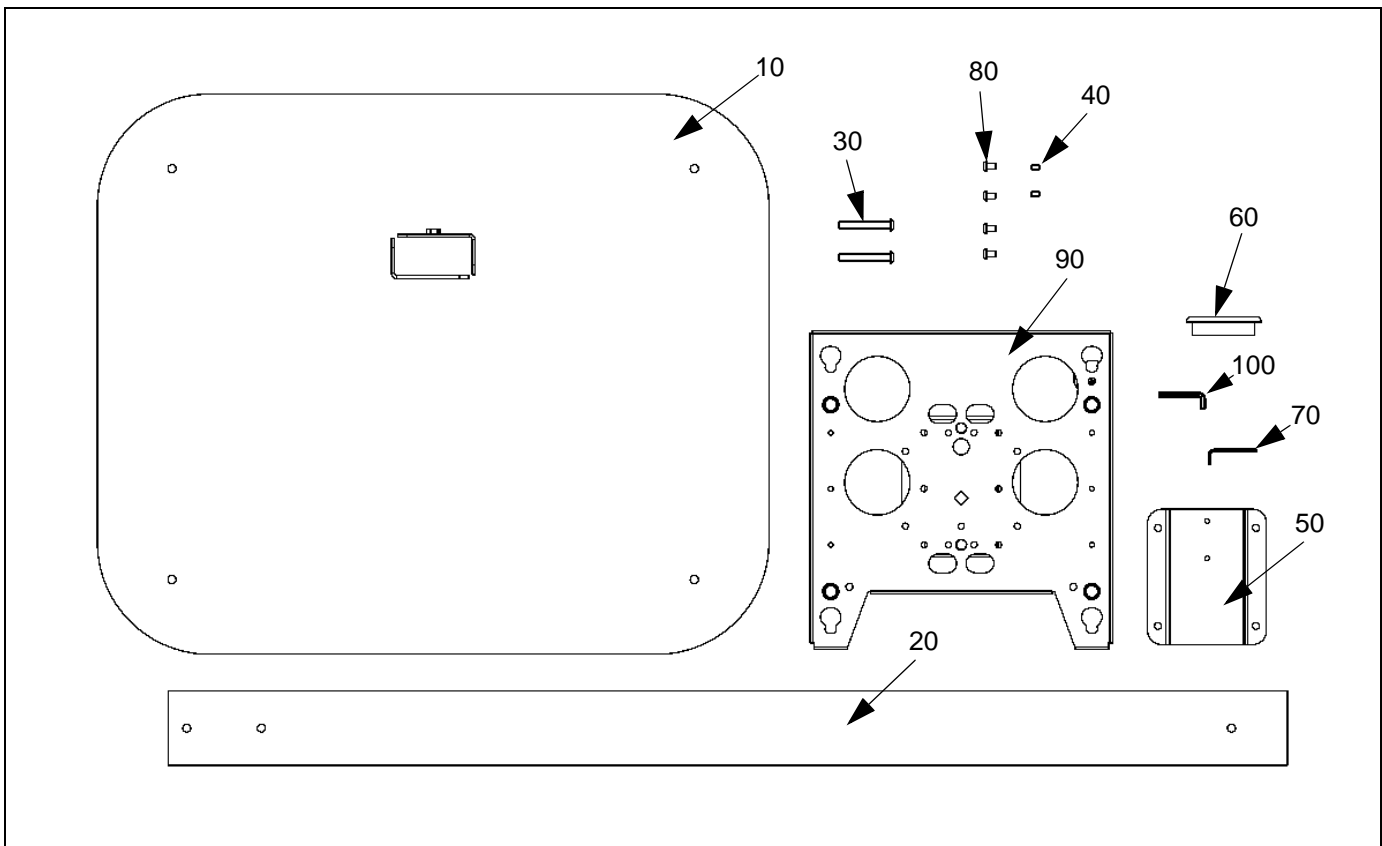
INSPECT PARTS BEFORE ASSEMBLY

- Carefully inspect all parts (See Table 1:) for shipping damage. If any damage is apparent, call your carrier claims agent and do not continue with the assembly procedure until the carrier has reviewed the damage.

NOTE: Read all assembly instructions thoroughly before assembly.

Table 1: PARTS

Item#	Description	Qty.
10	Base, Floor Stand	1
20	Column, Floor stand	1
30	Screw, Button Head Cap 3/8-16" x 2 3/4"	2
40	Screw, Set 1/4-20	2
50	Clamp, Column	1
60	Plug, Cap	1
70	Plate Assembly, Display Mounting	1
80	Screw, Button Head Cap 5/16-18 x 1/2"	4
90	Key, Hex 1/8"	1
100	Key, Hex 7/32"	1



ASSEMBLE FLOOR STAND

1. With Base on a clean, flat, surface insert Column into Base.

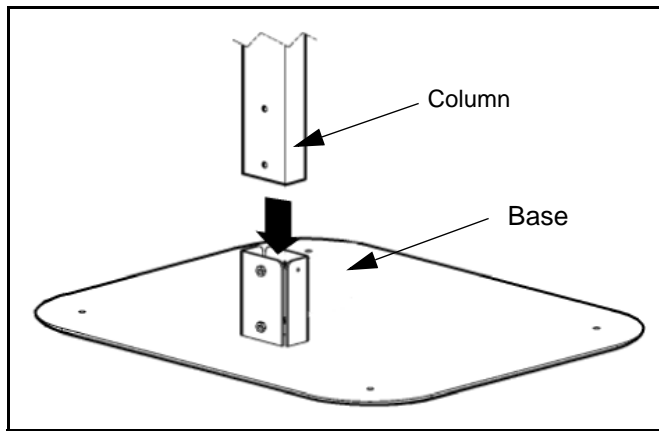


Figure 2: Insert Column

2. Loosely install two 3/8-16 X 2 3/4" Button Head Cap Screws.

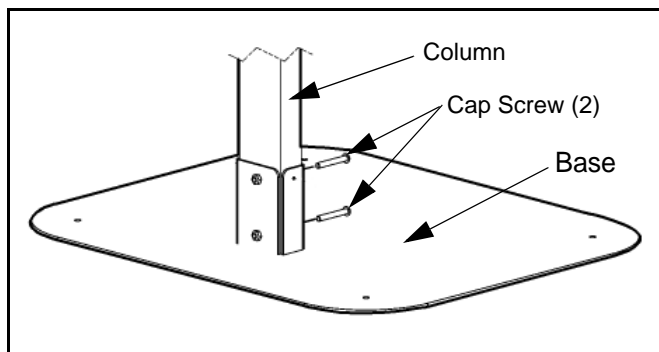


Figure 3: Install Cap Screws

3. Install two 1/4 - 20 Set Screws through Base until they contact the Column. This is to maintain Column vertical alignment. Do not over-tighten Setscrews.

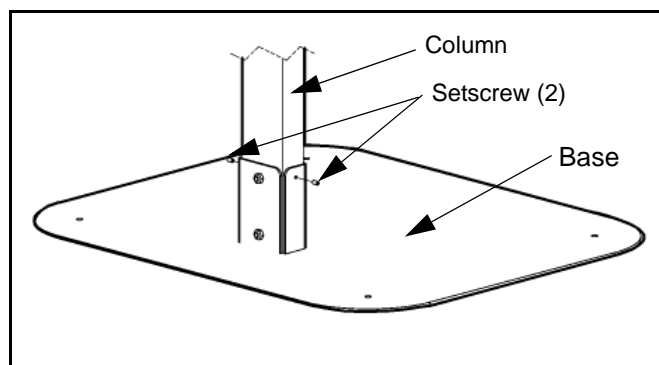


Figure 4: Install Set Screws

4. Tighten two 3/8-16 X 2 3/4" Button Head Cap Screws.

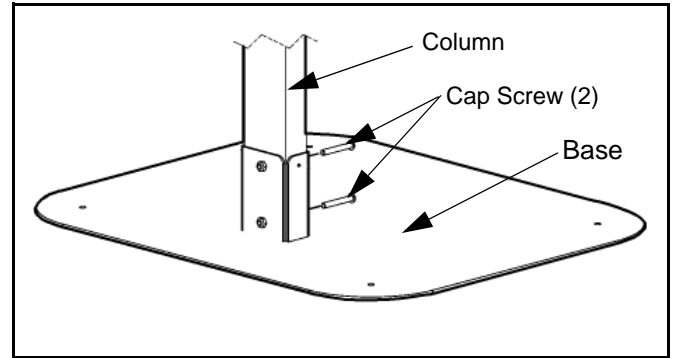


Figure 5: Tighten Capscrews

5. Install Cap Plug into top of Column.

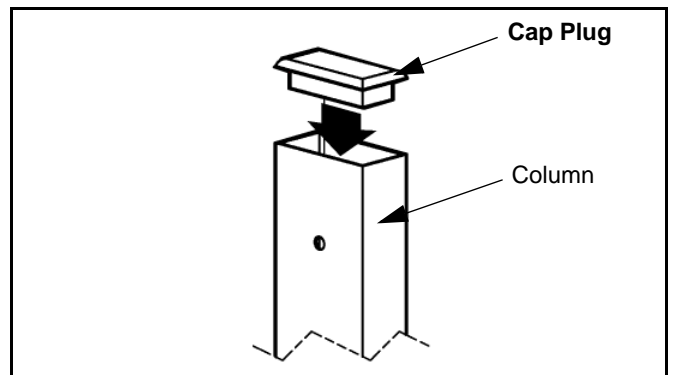


Figure 6: Install Cap Plug

6. Position Faceplate on Column and secure using Column Clamp and four 5/16-18X1/2" Cap Screws.

NOTE: Verify Faceplate is secure on Column and will not slide.

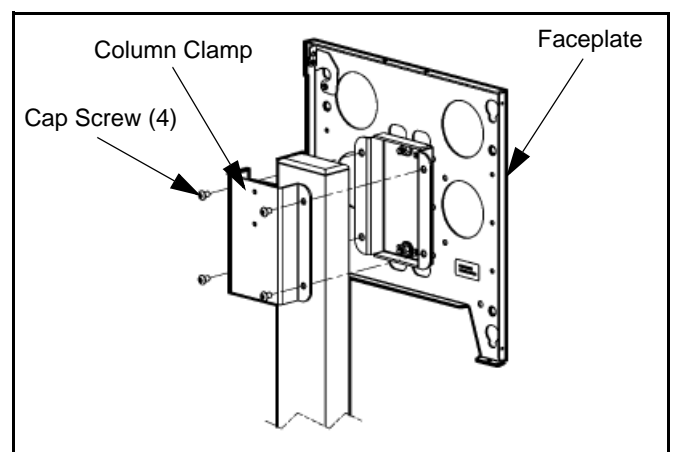


Figure 7: Mount Faceplate To Column

MOUNT DISPLAY ON FLOORSTAND

1. Make sure Q- Latch is in the "open" position and will not obstruct display installation (see Figure 8:).

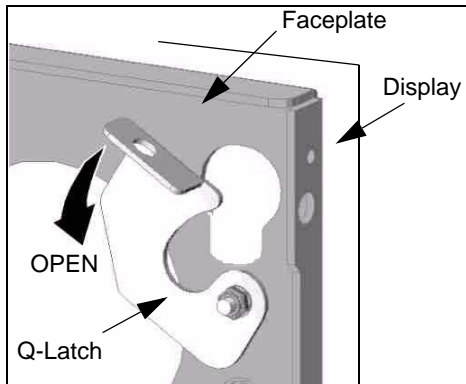


Figure 8: Open Q-Latch

2. Using two people, lift display and position in front of mount aligning four Mounting Buttons with four teardrop mounting holes in Faceplate. (see Figure 9: and Figure 10:)

WARNING: ALWAYS use two people and proper lifting techniques when lifting the display.

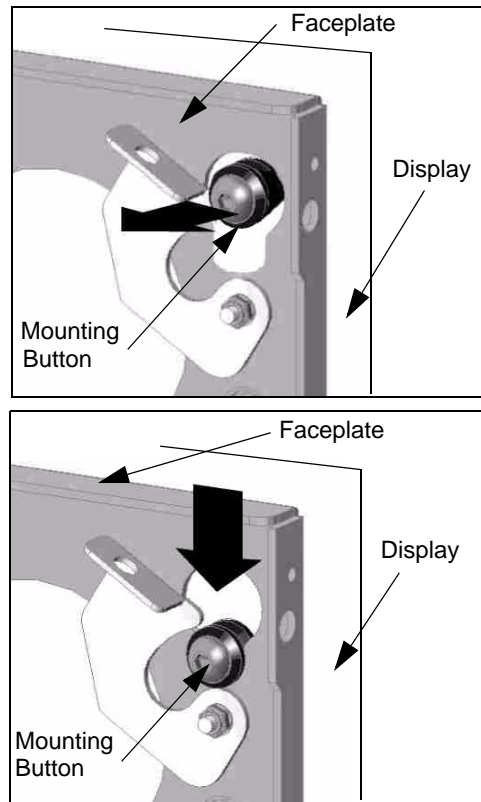


Figure 10: Align Display

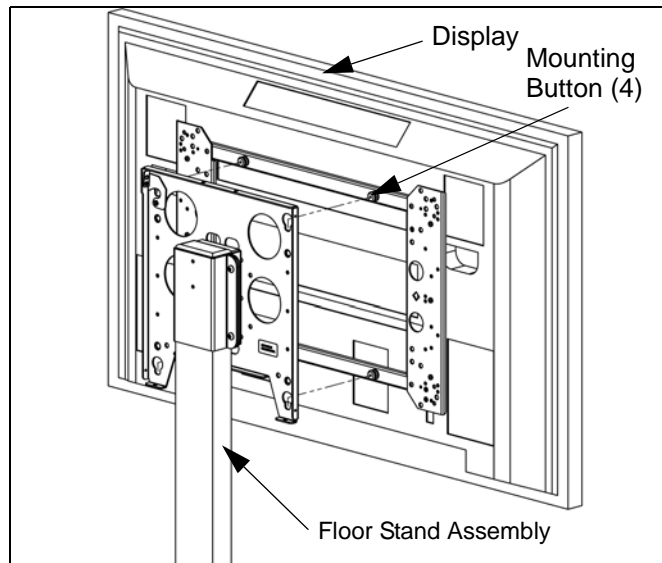


Figure 9: Align Display With Floor Stand

5. Secure the display to the mount by moving the Q-Latch to the "latched" position. (see Figure 11:)

NOTE: A hole is provided in Q-Latch and the Faceplate to accommodate the insertion of a padlock or similar locking device.

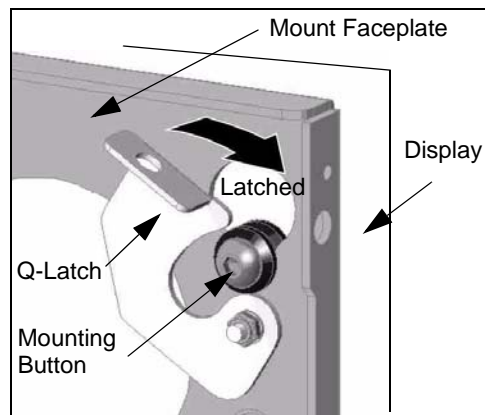


Figure 11: Close Q-Latch

3. Move display forward until all four Mounting Buttons are through teardrop mounting holes in Faceplate, and recessed area of Mounting Buttons is aligned with lower area of teardrop mounting holes. (see Figure 10:)
4. Lower display until recessed area of Mounting Buttons is seated into lower area of teardrop mounting holes in Faceplate. (see Figure 10:)

ADJUSTMENTS

The Floor stand is designed to provide 2 degrees of roll adjustment of the display. Roll adjustment is accomplished by grabbing the display on each side and turning it right or left until display is level. (see Figure 12:)

NOTE: Roll adjustment tension has been preset at the factory. If the display will not level, or remain in desired position, adjust roll tension by following the instructions outlined below.

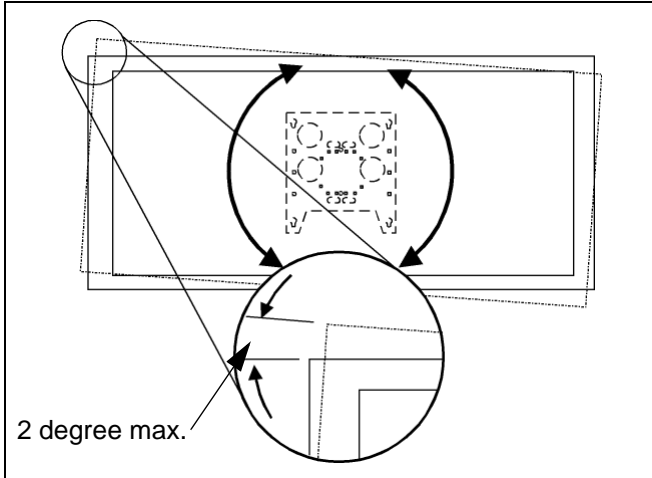


Figure 12: Adjust Display Roll

Roll Tension Adjustment

To adjust roll tension:

1. Disconnect all cords and cables from Display.
2. Remove lock, if present, securing Display to Faceplate.
3. Move Q- Latch to the "open"position. (see Figure 13:).

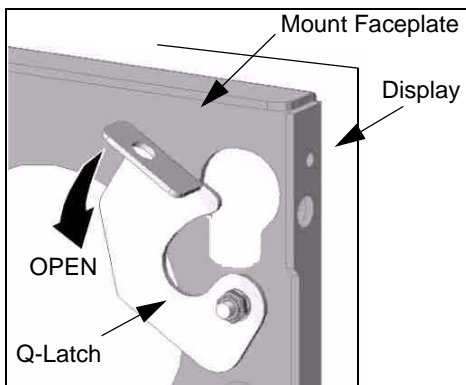


Figure 13: Open Q-Latch

4. Using two people, lift display and align four Mounting Buttons with upper area of four teardrop mounting holes in Faceplate. (see Figure 9: and Figure 10:)

WARNING: ALWAYS use two people and proper lifting techniques when lifting the display.

5. Move display away from Faceplate until all four Mounting Buttons are free from teardrop Mounting holes in Mount Faceplate. (see Figure 14:, Figure 15:)

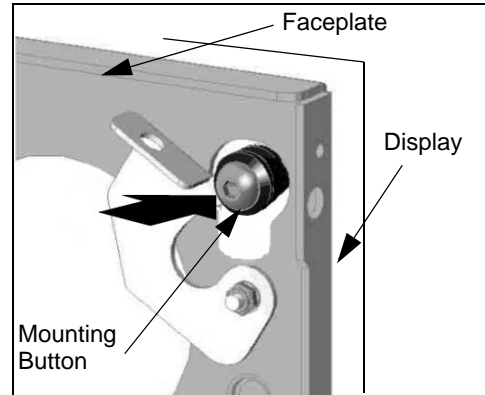
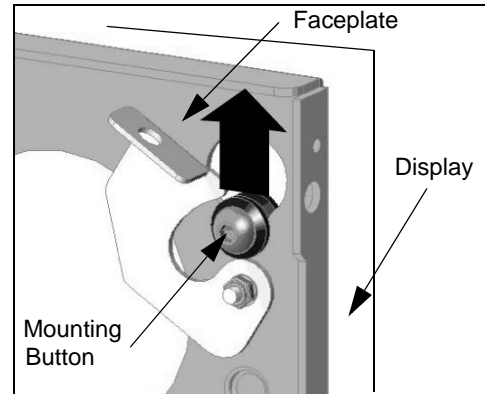


Figure 14: Remove display

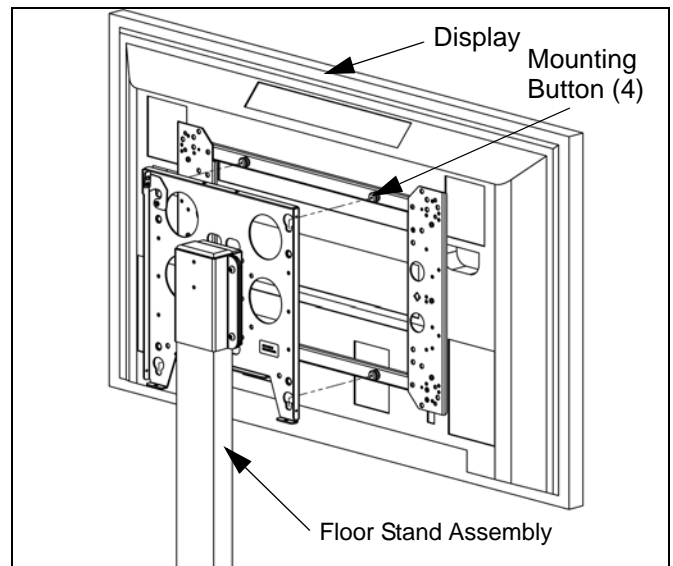


Figure 15: Remove display

6. Carefully set Display aside.
7. Remove four Cap Screws securing Column Clamp to Faceplate and Column. (see Figure 16:)

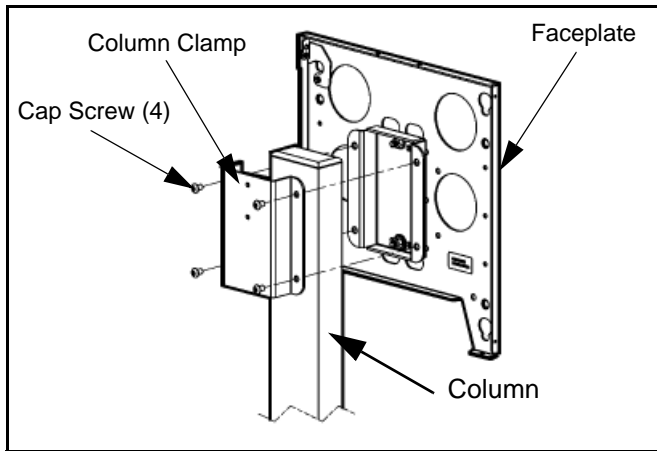


Figure 16: Remove Faceplate

8. Locate roll adjustment nuts on back of Faceplate and adjust. Turn Clockwise to increase roll tension, counterclockwise to decrease roll tension. (see Figure 17:)

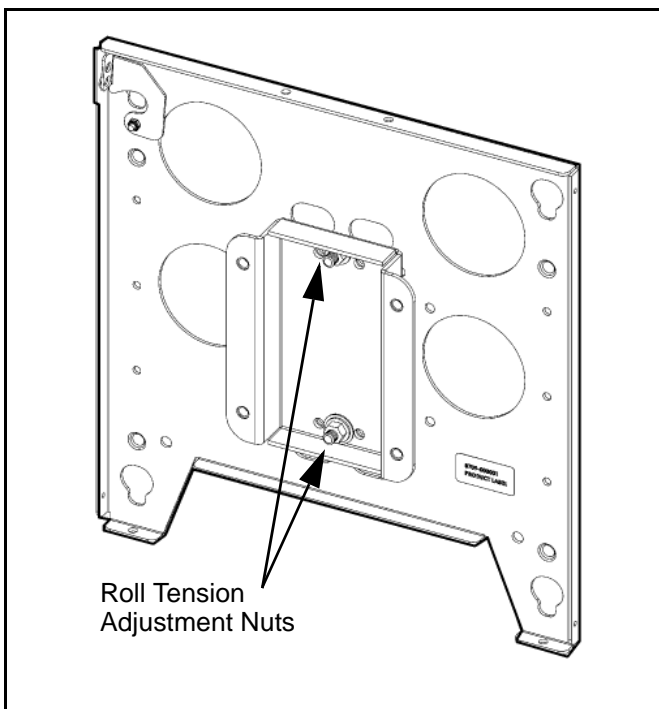


Figure 17: Adjust Roll Tension

After adjusting the roll tension, reassemble the Floor Stand and mount the Display according to the instructions outlined in the "Assemble Floor stand" and "Mount Display To Floor Stand" sections of this manual.