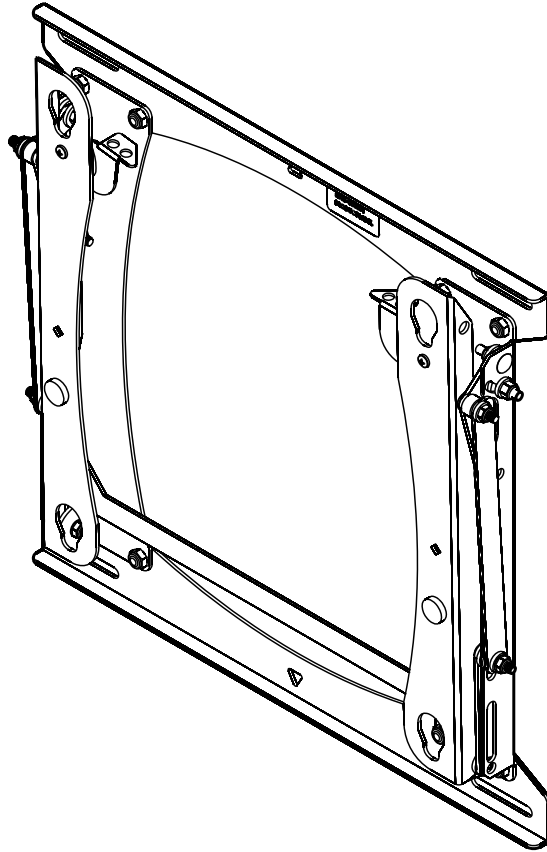

INSTALLATION INSTRUCTIONS



Flat Panel Wall Mount

DISCLAIMER

Milestone AV Technologies and its affiliated corporations and subsidiaries (collectively "Milestone"), intend to make this manual accurate and complete. However, Milestone makes no claim that the information contained herein covers all details, conditions or variations, nor does it provide for every possible contingency in connection with the installation or use of this product. The information contained in this document is subject to change without notice or obligation of any kind. Milestone makes no representation of warranty, expressed or implied, regarding the information contained herein. Milestone assumes no responsibility for accuracy, completeness or sufficiency of the information contained in this document.

Chief® is a registered trademark of Milestone AV Technologies. All rights reserved.

DEFINITIONS

MOUNTING SYSTEM: A MOUNTING SYSTEM is the primary Chief product to which an accessory and/or component is attached.

ACCESSORY: AN ACCESSORY is the secondary Chief product which is attached to a primary Chief product, and may have a component attached or setting on it.

COMPONENT: A COMPONENT is an audiovisual item designed to be attached or resting on an accessory or mounting system such as a video camera, CPU, screen, display, projector, etc.



WARNING: A WARNING alerts you to the possibility of serious injury or death if you do not follow the instructions.



CAUTION: A CAUTION alerts you to the possibility of damage or destruction of equipment if you do not follow the corresponding instructions.



IMPORTANT SAFETY INSTRUCTIONS



WARNING: Failure to read, thoroughly understand, and follow all instructions can result in serious personal injury, damage to equipment, or voiding of factory warranty! It is the installer's responsibility to make sure all mounting systems are properly assembled and installed using the instructions provided.



WARNING: Failure to provide adequate structural strength for this mounting system can result in serious personal injury or damage to equipment! It is the installer's responsibility to make sure the structure to which this mounting system is attached can support five times the combined weight of all equipment. Reinforce the structure as required before installing the mounting system.



WARNING: Exceeding the weight capacity can result in serious personal injury or damage to equipment! It is the installer's responsibility to make sure the combined weight of all components or accessories attached to mounting system does not exceed 200 lbs (90.7 kg).



WARNING: Use this mounting system only for its intended use as described in these instructions. Do not use attachments not recommended by the manufacturer.



WARNING: Never operate this mounting system if it is damaged. Return the mounting system to a service center for examination and repair.



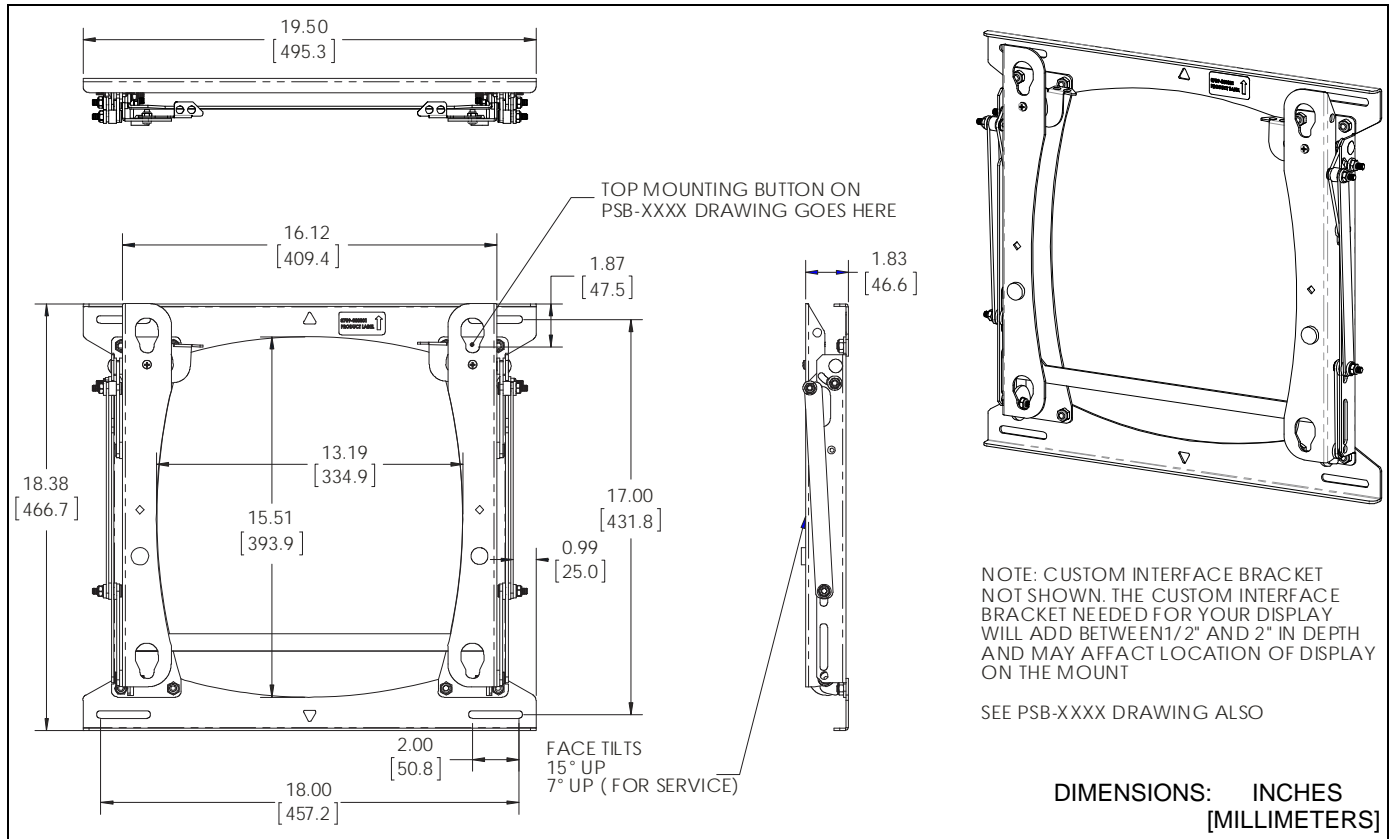
WARNING: Do not use this mounting system outdoors.

IMPORTANT ! : The PLP-16 Series mounting system is designed to be mounted to a:

- 2" x 4" wood studs (16" on center) wall.

--SAVE THESE INSTRUCTIONS--

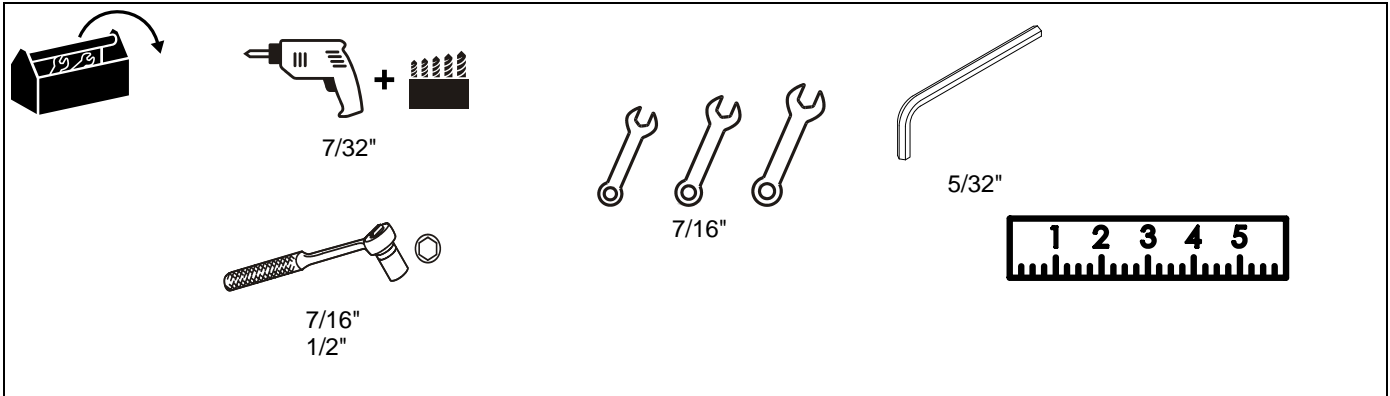
DIMENSIONS



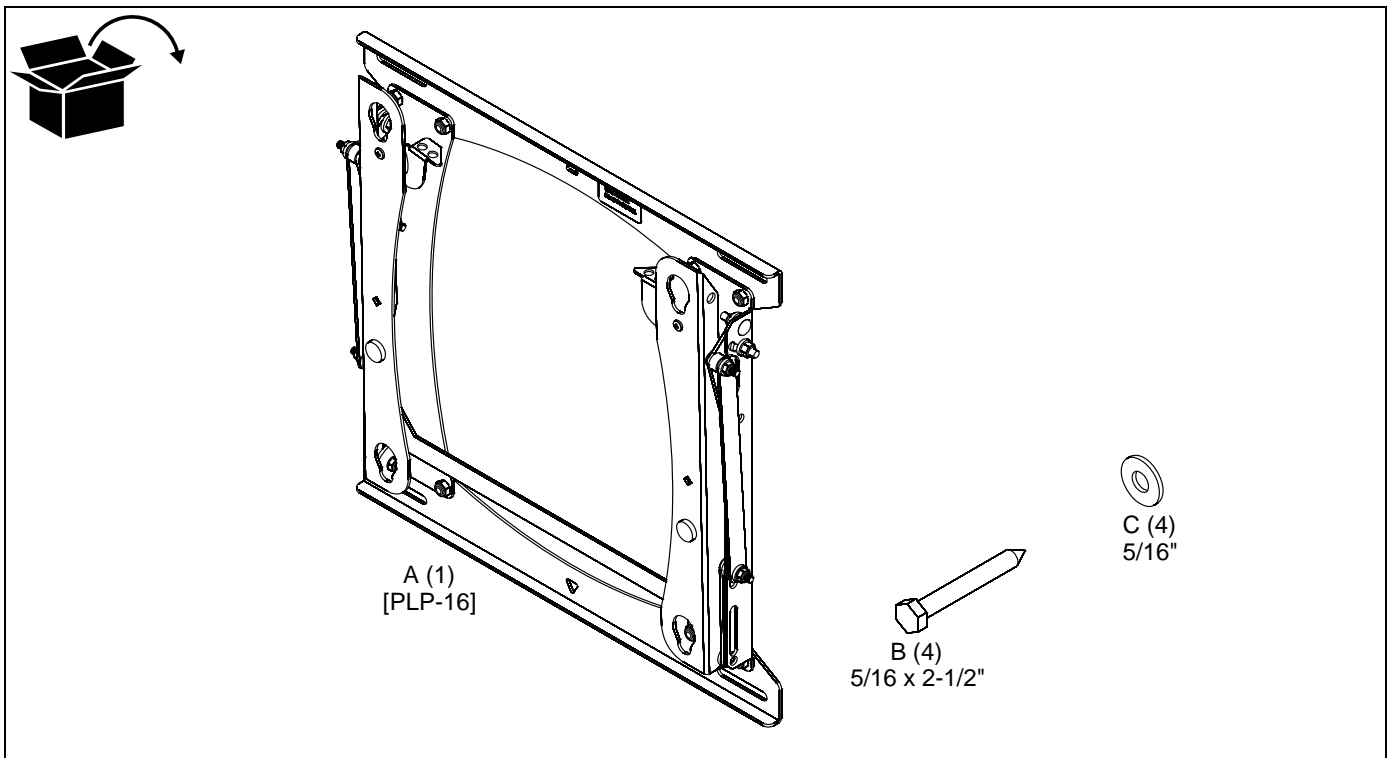
LEGEND

	Tighten Fastener		Pencil Mark
	Apretar elemento de fijación		Marcar con lápiz
	Befestigungsteil festziehen		Stiftmarkierung
	Apertar fixador		Marcar com lápis
	Serrare il fissaggio		Segno a matita
	Bevestiging vastdraaien		Potloodmerkteken
Serrez les fixations	Marquage au crayon		
	Loosen Fastener		Drill Hole
	Aflojar elemento de fijación		Perforar
	Befestigungsteil lösen		Bohrloch
	Desapertar fixador		Fazer furo
	Allentare il fissaggio		Praticare un foro
	Bevestiging losdraaien		Gat boren
Desserrez les fixations	Percez un trou		
	Open-Ended Wrench		Adjust
	Llave de boca		Ajustar
	Gabelschlüssel		Einstellen
	Chave de bocas		Ajustar
	Chiave a punte aperte		Regolare
	Steeksleutel		Afstellen
Clé à fourche	Ajuster		

TOOLS REQUIRED FOR INSTALLATION



PARTS



INSTALLATION

Select Mounting Location



WARNING: FAILURE TO PROVIDE ADEQUATE STRUCTURAL STRENGTH FOR THIS MOUNTING SYSTEM CAN RESULT IN SERIOUS PERSONAL INJURY OR DAMAGE TO EQUIPMENT! It is the installer's responsibility to make sure the structure to which this mounting system is attached can support five times the combined weight of all components or accessories. Reinforce the structure as required before installing the mounting system.

1. Determine the exact mounting location for the mounting system prior to installation, keeping in mind the screen size.

NOTE: Mount the PLP-16 on dual wall studs or some other equivalent supporting framework that is vertical or horizontal.

2. Using a stud sensor, locate the two wood studs where you will mount the PLP-16. (See Figure 1)
3. Using a nail as a temporary hook, hang the mounting system on the wall using the triangular hole located in the center of the mounting system. (See Figure 2)
4. Use a pencil to mark the mounting holes where the four pilot holes will be drilled into the center of the wood stud. Make sure the mounting holes are square and straight. Remove the mounting system from the wall.
5. Drill the pilot holes using a 7/32" drill bit.

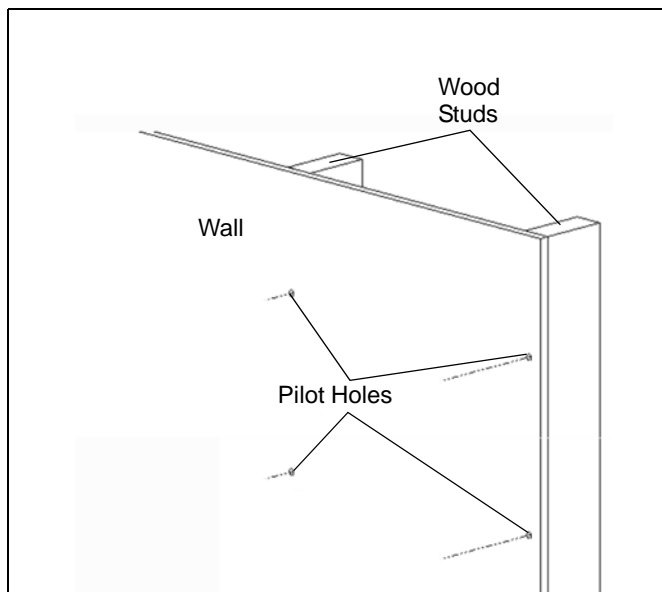


Figure 1

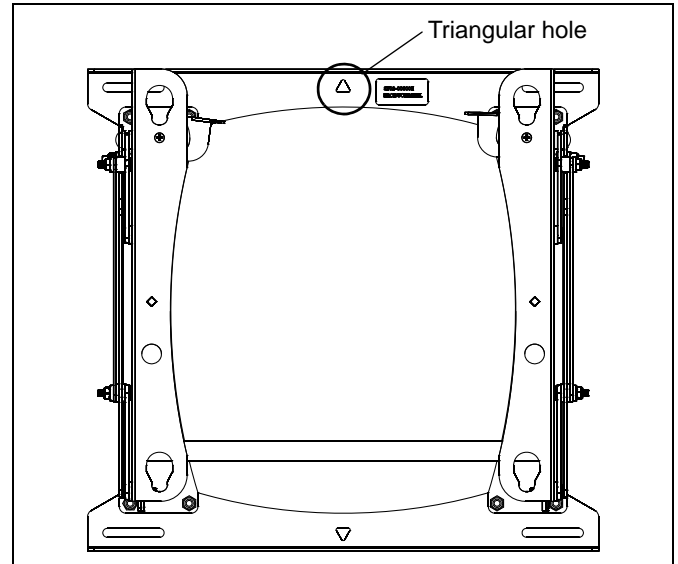


Figure 2

Install the PLP-16 Mounting System

1. Using a nail as a temporary hook, hang the mounting system on the wall again using the triangular hole located in the center of the mounting system. (See Figure 2)

NOTE: The mounting holes are slotted to allow for a small degree of lateral movement. The mounting system can be centered, or shifted to the left of center or right of center depending on stud location.

NOTE: The lag bolts must be driven into the support wall studs or other supporting framework.

2. Install four 5/16 x 2-1/2" lag bolts (B) and four 5/16" washers (C) (two top and two bottom) into the mounting holes, centering the PLP-16 on dual wood studs 16" apart on center.
3. Tighten the lag bolts.
4. Attach interface bracket (not included) to display, following instructions included with the interface bracket.

Install the Display

NOTE: Verify that all power/audio/video cables are disconnected from the display and both latching flags are lowered before attempting to mount the display.

1. With the aid of another person, lift the display up to the mount on the wall, aligning mounting buttons with the teardrop slots on the mounting system, and lower the display firmly into place.
2. Raise the latching flag to LOCK position to secure the display. (See Figure 3) If the flag does not fully engage, check to ensure the mounting buttons are fully seated in the slots.
3. Raise the latching flag on the opposite side to fully lock the mount in place.

NOTE: A padlock may be installed through the hole in the latching flag for additional security.

Remove the Display

To remove the display from the mount:

1. Disconnect all power/audio/video cables.
2. Lower the latching flag to unlock the display. (See Figure 3)
3. With the aid of another person, lift the display up and out of the teardrop slots in the mounting system to remove the display.

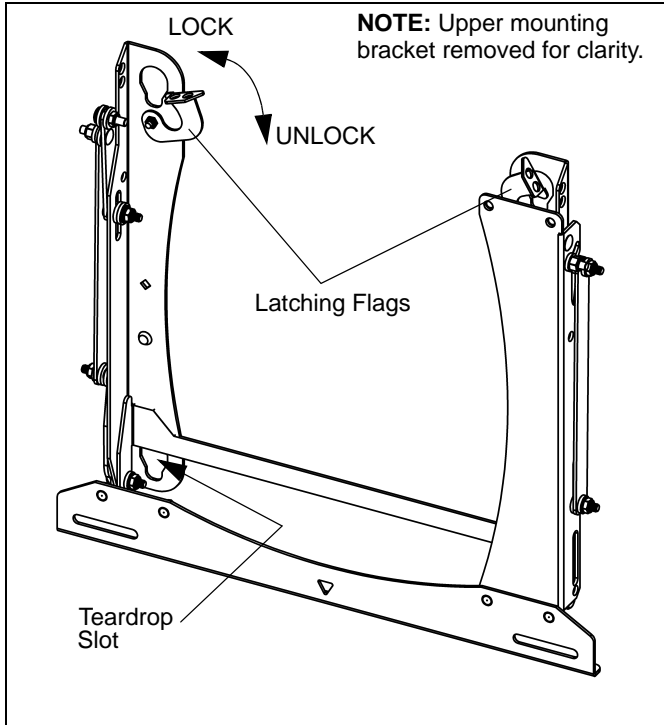


Figure 3

Tilt Adjustment

To tilt the display 0° to 15° down, do the following:

1. Manually tilt the display 0° to 15° down into the desired position.
2. If desired, tighten the nut using a 7/16" wrench to increase the amount of tension needed to hold the mounting system in that position. (See Figure 4)

NOTE: Tighten the nuts only to adjust the amount of tension needed to manually tilt and hold the mount in place. Do not over-tighten the nuts. Over-tightening the nuts may cause excessive wear and may damage the mounting system.

3. If necessary, use a 5/32" hex key to tighten hex head screw. (See Figure 4)
4. Repeat Steps 1 and 2 until the desired tension is obtained.

NOTE: The service position is not recommended as a final display position.

5. Raise the center support bar and reposition the display to desired position (if necessary, refer to **Tilt Adjustment** section) after service is completed.



WARNING: Watch for pinch points. Do not put fingers between movable parts.

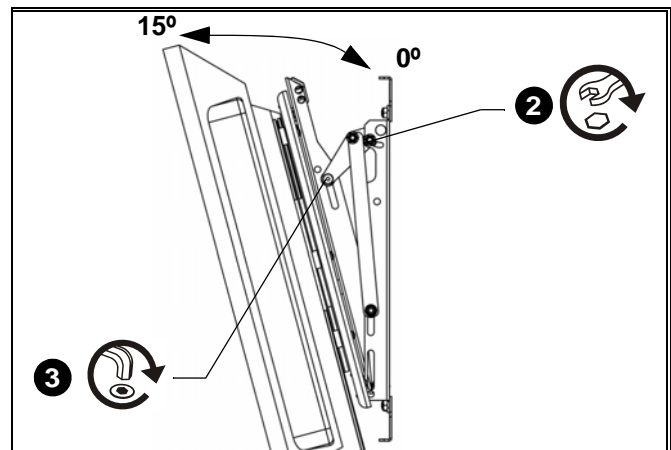


Figure 4

Cable Connection

To install or remove cables, do the following:

1. Manually tilt the display 0° to 7° up into the service position.
(See Figure 5)
2. Lower center support bar to keep the display tilted up.
(See Figure 6)
3. Perform service. For example, connect or disconnect the power/audio/video cables.

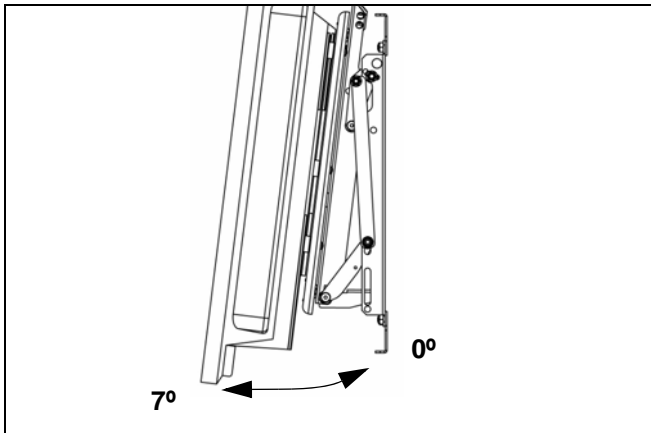


Figure 5

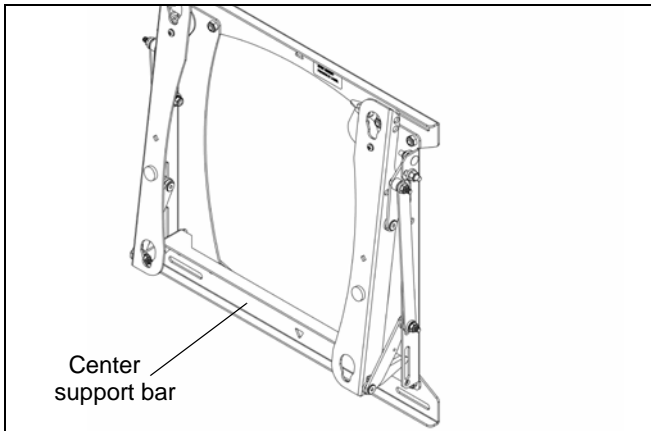


Figure 6



Our Mounts. **Your Vision.**

Chief, a products division of
Milestone AV Technologies

8800-002845 Rev00
©2016 Milestone AV Technologies
www.milestone.com
04/16

USA/International	A 6436 City West Parkway, Eden Prairie, MN 55344 P 800.582.6480 / 952.225.6000 F 877.894.6918 / 952.894.6918
Europe	A Franklinstraat 14, 6003 DK Weert, Netherlands P +31 (0) 495 580 852 F +31 (0) 495 580 845
Asia Pacific	A Office No. 918 on 9/F, Shatin Galleria 18-24 Shan Mei Street Fotan, Shatin, Hong Kong P 852 2145 4099 F 852 2145 4477

