

INSTALLATION INSTRUCTIONS

Large Flat Panel Wall Mount

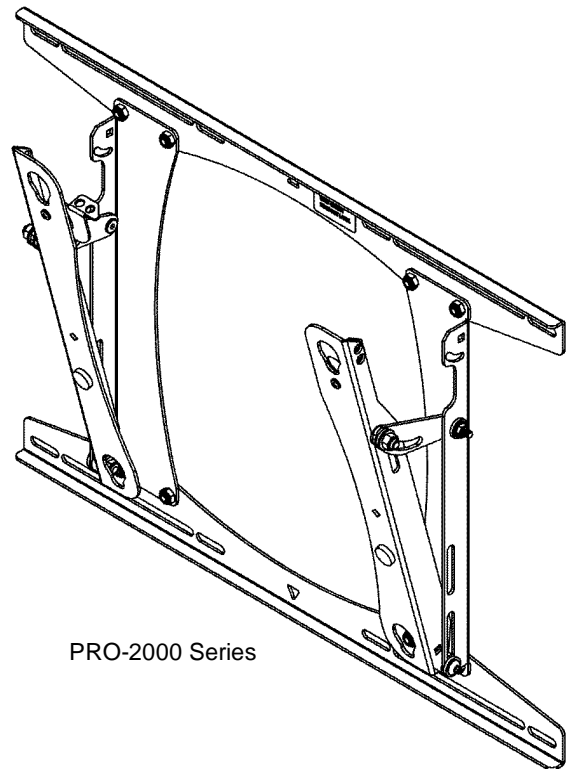
Model: PRO-2000 Series

PRO-2000 Series Wall Mount Features:

- Accommodates large flat screens weighing up to 200 lbs (90.7 kg).
- Mounting brackets adapt to either 16" or 24" on center dual stud wood framework; integrated lateral shift adjusts $\pm 4.5"$ (16" on center) or $\pm 0.5"$ (24" on center).
- Infinite tilt and lock adjustment between 0-15 degrees.
- Chief's exclusive Q-Latch mounting system provides convenient and secure display connect/disconnect; optional padlock provides additional display security.

Q-Latch[®] is a registered trademark of Chief Mfg.

! IMPORTANT: If the installation of this product requires OSHPD seismic approval, refer to OSHPD pre-approval documents and drawings before beginning installation. OSHPD documents and drawings are available at www.chiefmfg.com, and are also located on the product information page for the mount.



BEFORE YOU BEGIN



CAUTION: To prevent damage to your monitor and PRO-2000, which could affect or void the Factory warranty, thoroughly study all instructions and illustrations before you begin to install the mount. Pay particular attention to the Warnings and Cautions in this document.

- The mount is designed to be installed using wall studs or supporting framework. The fasteners used to anchor the mount must be capable of supporting five times the total weight of the equipment.
- The maximum weight to be installed on the PRO-2000 wall mount is 200 lbs (90.7 kg).
- If you have any questions about this installation, contact Chief Manufacturing at 1-800-582-6480 or 952-582-6480.



CHIEF MANUFACTURING INC.
1-800-582-6480 952-894-6280 FAX 952-894-6918
8401 EAGLE CREEK PARKWAY, STE 700
SAVAGE, MINNESOTA 55378 USA

8805-000140 (Rev. E)
©2007 Chief Manufacturing
www.chiefmfg.com
10/07

! IMPORTANT WARNINGS AND CAUTIONS!

WARNING: A WARNING alerts you to the possibility of serious injury or death if you do not follow the instructions.

CAUTION: A CAUTION alerts you to the possibility of damage or destruction of equipment if you do not follow the corresponding instructions.

! WARNING: It is the installer's responsibility to make sure structure to which this mount is attached can support five times the combined weight of all equipment. Reinforce the structure as required before installing the accessory. Failure to provide adequate structural strength for the mount can result in serious personal injury or damage to equipment!

! WARNING: It is the installer's responsibility to make sure all components are properly assembled and installed using instructions provided. Failure to follow instructions can result in serious personal injury or damage to equipment!

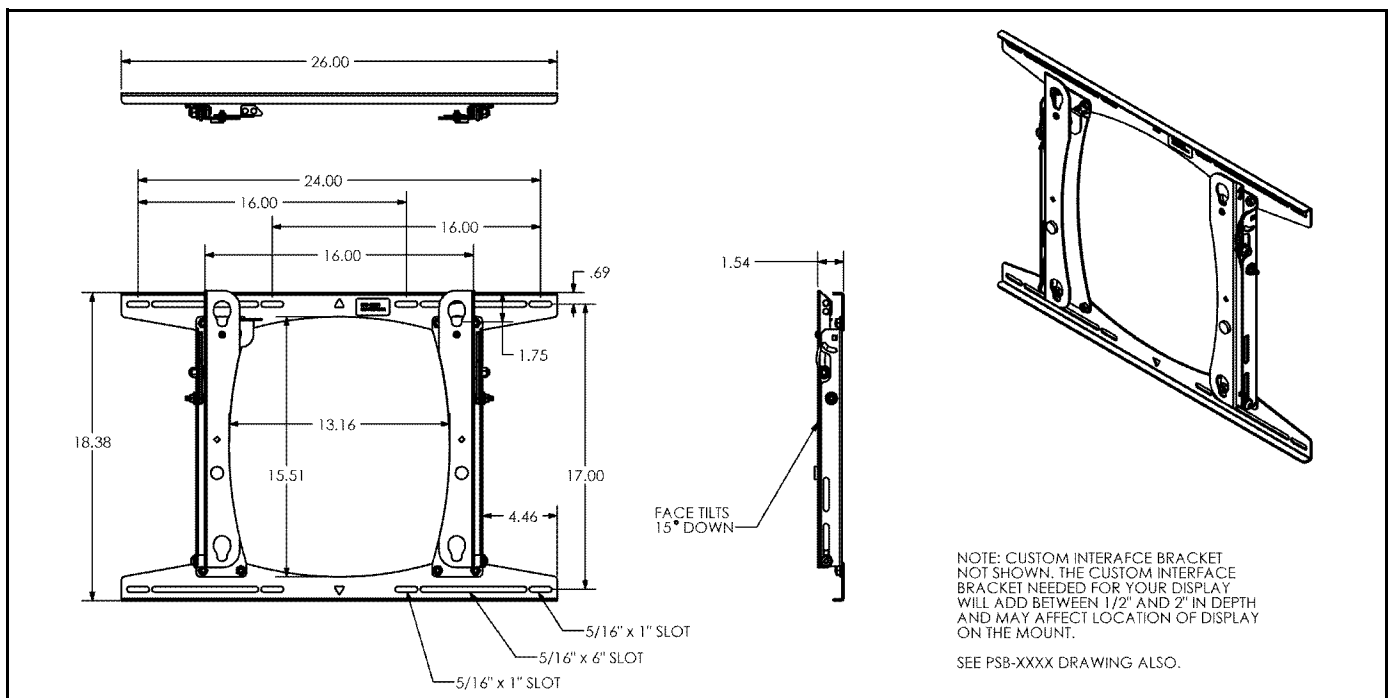
! WARNING: It is the installer's responsibility to make sure combined weight of mount, display, and all attached equipment must not exceed 200 lbs (90.7 kg), the maximum support weight of this mount. Exceeding maximum support weight can result in serious personal injury or damage to equipment!

! WARNING: Watch for pinch points. Do not put your fingers between movable parts.

! WARNING: Make sure the Q-Latches securing the display are fully latched at all times except when removing or installing the display. The Q-Latches must be fully latched when installing/removing cables.

! CAUTION: Check the unit for shipping damage before you begin the installation.

DIMENSIONAL DRAWING



TOOLS REQUIRED FOR INSTALLATION

- Drill and drill bit set
- Socket wrench set

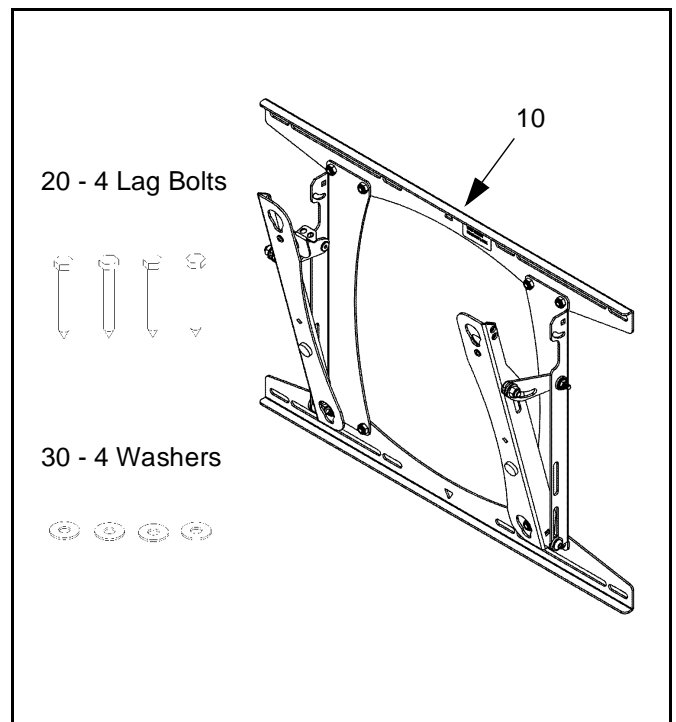
NOTE: Other tools may be required depending on your method of installation.

PARTS

Unpack carton, inspect and verify contents.
Read installation instructions completely. If any listed parts are missing, contact Chief Customer Service at 1-800-582-6480.

Table 1: Parts

| | | |
|----|---------------------------|---|
| 10 | MOUNT, PRO-2000 Series | 1 |
| 20 | BOLT, Lag, 5/16" x 2-1/2" | 4 |
| 30 | WASHER, 5/16" | 4 |



INSTALLATION

MOUNT INSTALLATION



WARNING: It is the responsibility of the installer to verify that the wall to which the mount is anchored will safely support the combined load of all attached components and equipment.

1. Determine approximate mounting location, keeping in mind the display size.

NOTE: The mount is to be installed on dual wood studs or other equivalent vertical or horizontal supporting framework.

2. Use a stud sensor to locate the two wood studs. Mark locations with a pencil.
3. With mount at desired height and located between the marked studs, temporarily hang mount on wall by installing a nail through the triangular hole located in the center of the mount (See Figure 1). Ensure mount is oriented such that pitch adjustment arms are at top of mount.
4. Level the mount and use a pencil to mark the location of the four pilot holes. Ensure marks are in the center of wood studs.
5. Remove mount from wall.
6. Drill four pilot holes using a 7/32" drill bit. Make sure pilot holes are straight (See Figure 2).
7. While holding mount against wall, select appropriate mounting holes:
 - 16" on center studs: The mount can be installed centered between the studs as shown (See Figure 3), or it can be installed to the left or right of center (See Figure 4).
 - 24" on center studs: The mount must be centered between the studs (See Figure 5).
8. Install four 5/16" x 2-1/2" lag bolts (20) and four 5/16" washers (30) through mounting holes and into pilot holes. Tighten all lag bolts.

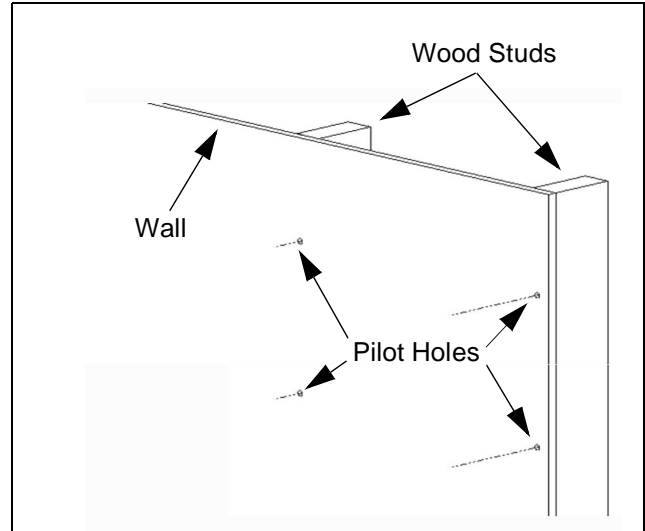


Figure 2

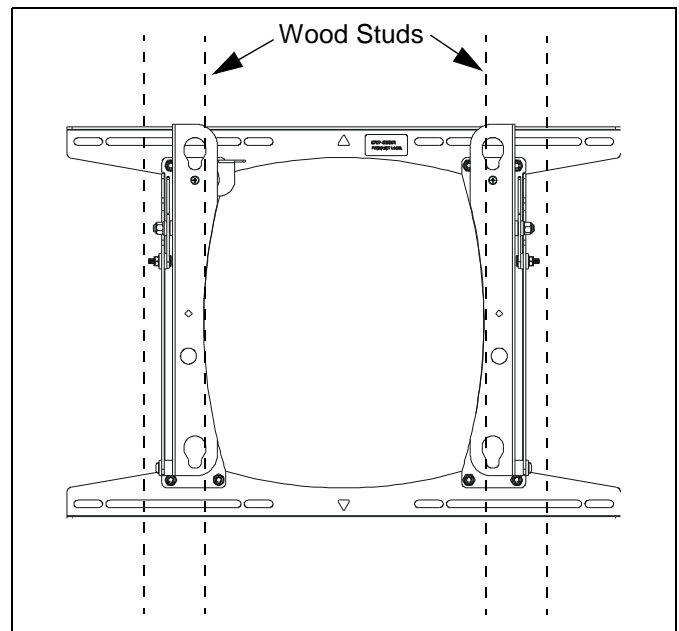


Figure 3

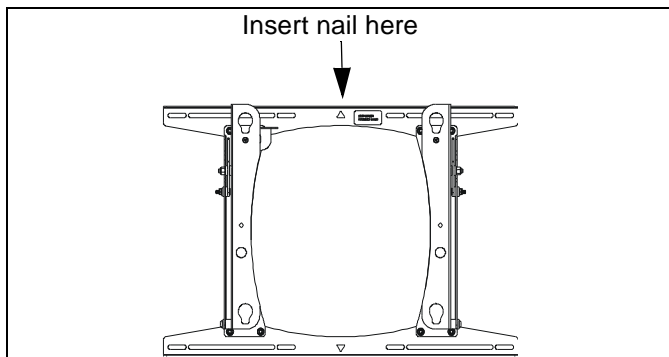


Figure 1

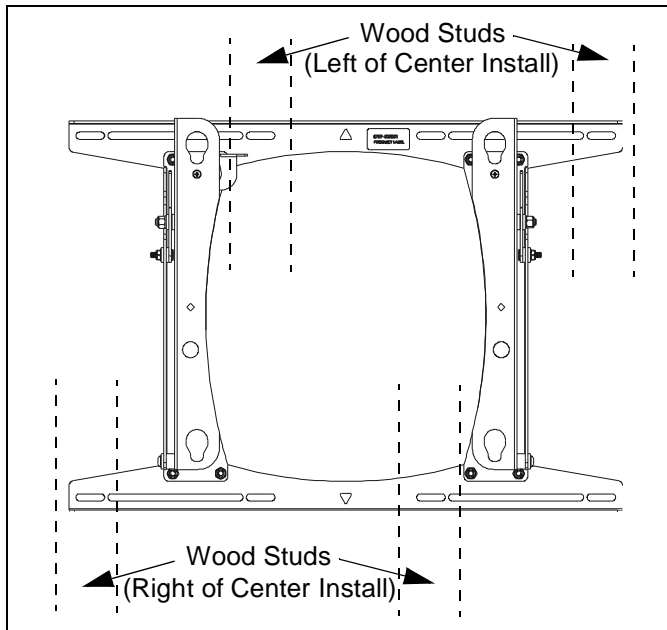


Figure 4

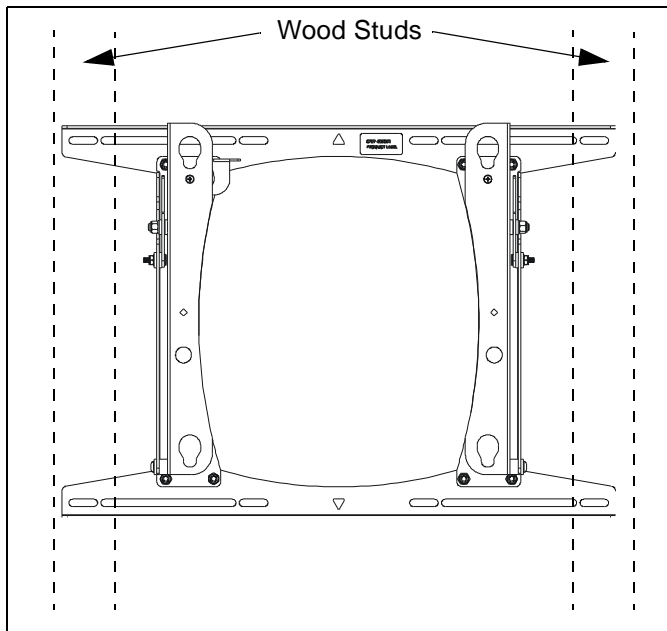


Figure 5

DISPLAY INSTALLATION

The following procedure assumes that the proper interface bracket for the display being mounted has already been installed on the display.

If no interface bracket is present on display, install bracket to display using the instructions included with the interface bracket before proceeding.

If an interface bracket for the display being mounted needs to be obtained, or additional assistance is required, contact a Chief Customer Service representative by calling 1-800-582-6480 or by visiting www.chiefmfg.com.

To install the display:

1. Two Q-latches are installed on this mount. Make sure both Q-Latches are in the UNLATCHED position (See Figure 6).

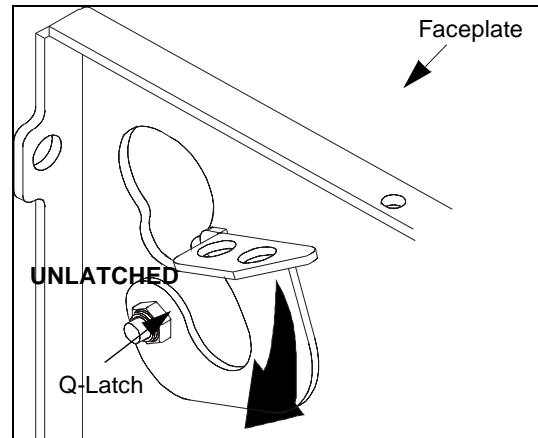


Figure 6

2. While supporting each side of the display, align the four mounting buttons on the interface bracket with the four teardrop slots in mount faceplate. Lower bracket firmly into slots. (See Figure 7)

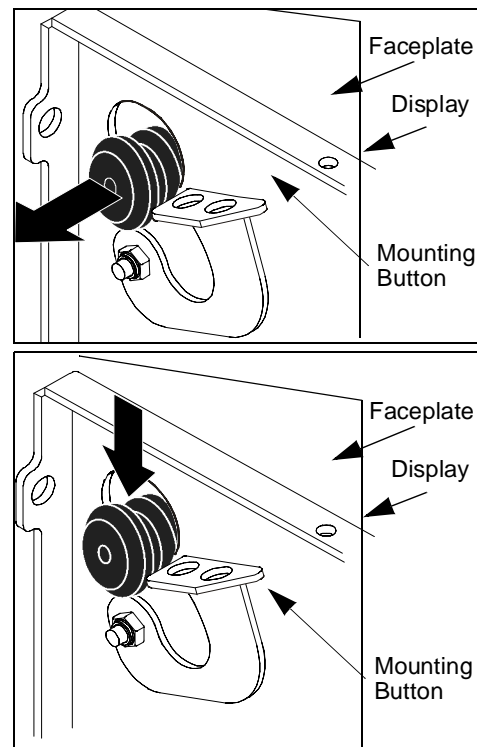


Figure 7

- Secure display by rotating both Q-Latches to the fully LATCHED position (See Figure 8). If one or both Q-Latches do not fully engage, ensure the mounting buttons are fully seated in the teardrop slots.

NOTE: A hole is provided in the Q-Latch and faceplate to accommodate the insertion of a padlock or similar locking device.

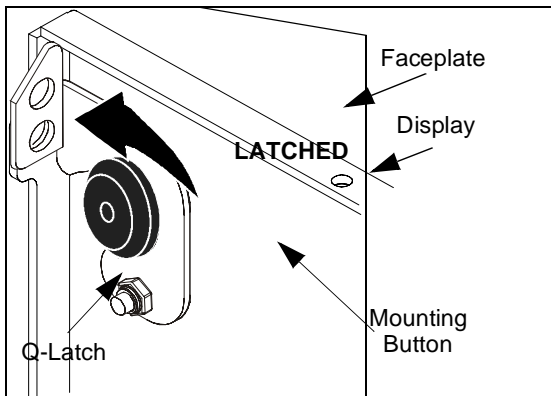


Figure 8

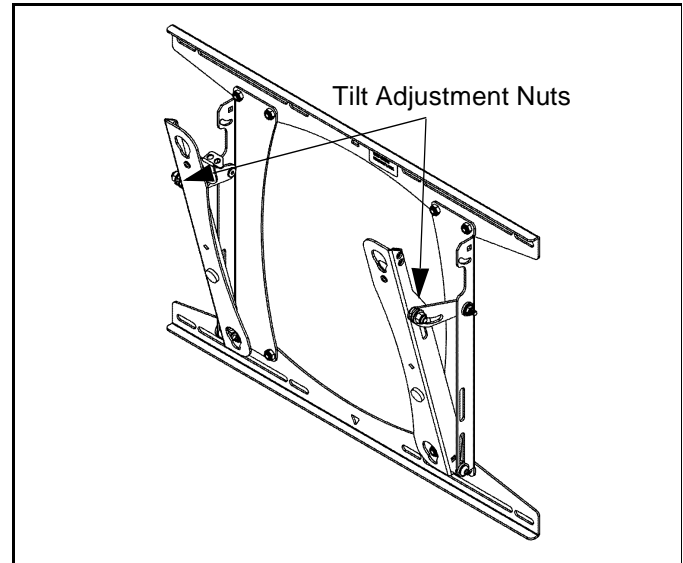


Figure 9

TILT ADJUSTMENT



CAUTION: Loosen the nut only. To avoid equipment damage, do not remove the nut from the mount.

- Using 1/2" socket wrench, loosen the tilt adjustment nut on both arms of the mount (See Figure 9).



CAUTION: Do not over-tighten the nuts. Over-tightening the nuts may cause excessive wear and may damage your mount.

- Tilt display to the desired position. Tighten both nuts.

REMOVE THE DISPLAY

- Disconnect all power/audio/video cables.
- UNLATCH both Q-Latches to unlock the display (See Figure 8).
- With the aid of another person, lift the display up and out of the teardrop slots in the mount.