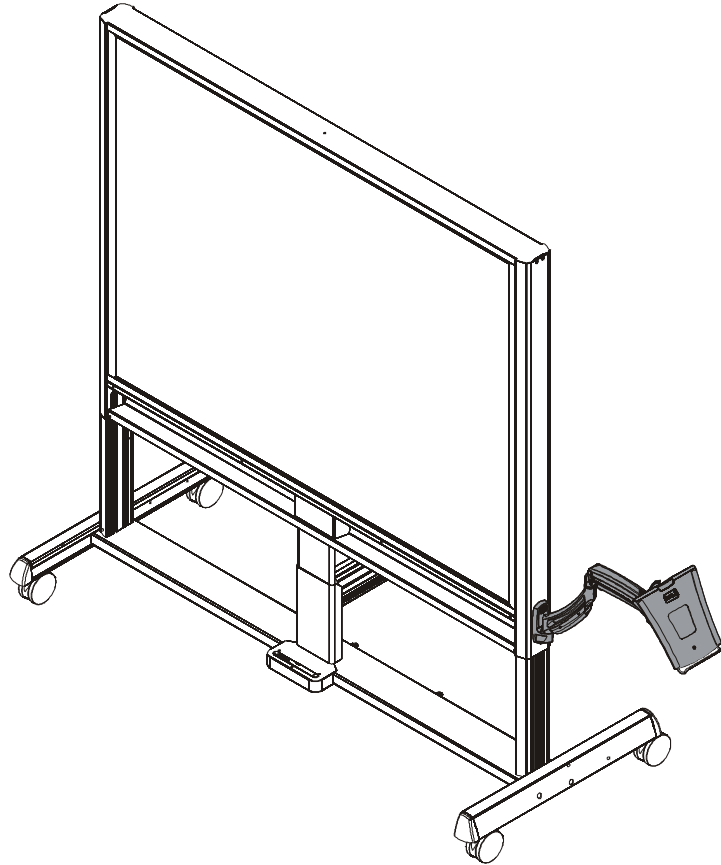

INSTALLATION INSTRUCTIONS



Interactive Dry Erase Rear Projector Cart Laptop Tray

||PROJECTA||

11830028

DISCLAIMER

Milestone AV Technologies and its affiliated corporations and subsidiaries (collectively "Milestone"), intend to make this manual accurate and complete. However, Milestone makes no claim that the information contained herein covers all details, conditions or variations, nor does it provide for every possible contingency in connection with the installation or use of this product. The information contained in this document is subject to change without notice or obligation of any kind. Milestone makes no representation of warranty, expressed or implied, regarding the information contained herein. Milestone assumes no responsibility for accuracy, completeness or sufficiency of the information contained in this document.

Da-Lite® is a registered trademark of Milestone AV Technologies. All rights reserved.



WARNING: Use this mounting system only for its intended use as described in these instructions. Do not use attachments not recommended by the manufacturer.



WARNING: Never operate this mounting system if it is damaged. Return the mounting system to a service center for examination and repair.



WARNING: Do not use this product outdoors.

--SAVE THESE INSTRUCTIONS--



IMPORTANT SAFETY INSTRUCTIONS



WARNING: A WARNING alerts you to the possibility of serious injury or death if you do not follow the instructions.



CAUTION: A CAUTION alerts you to the possibility of damage or destruction of equipment if you do not follow the corresponding instructions.



WARNING: Failure to read, thoroughly understand, and follow all instructions can result in serious personal injury, damage to equipment, or voiding of factory warranty! It is the installer's responsibility to make sure all components are properly assembled and installed using the instructions provided.

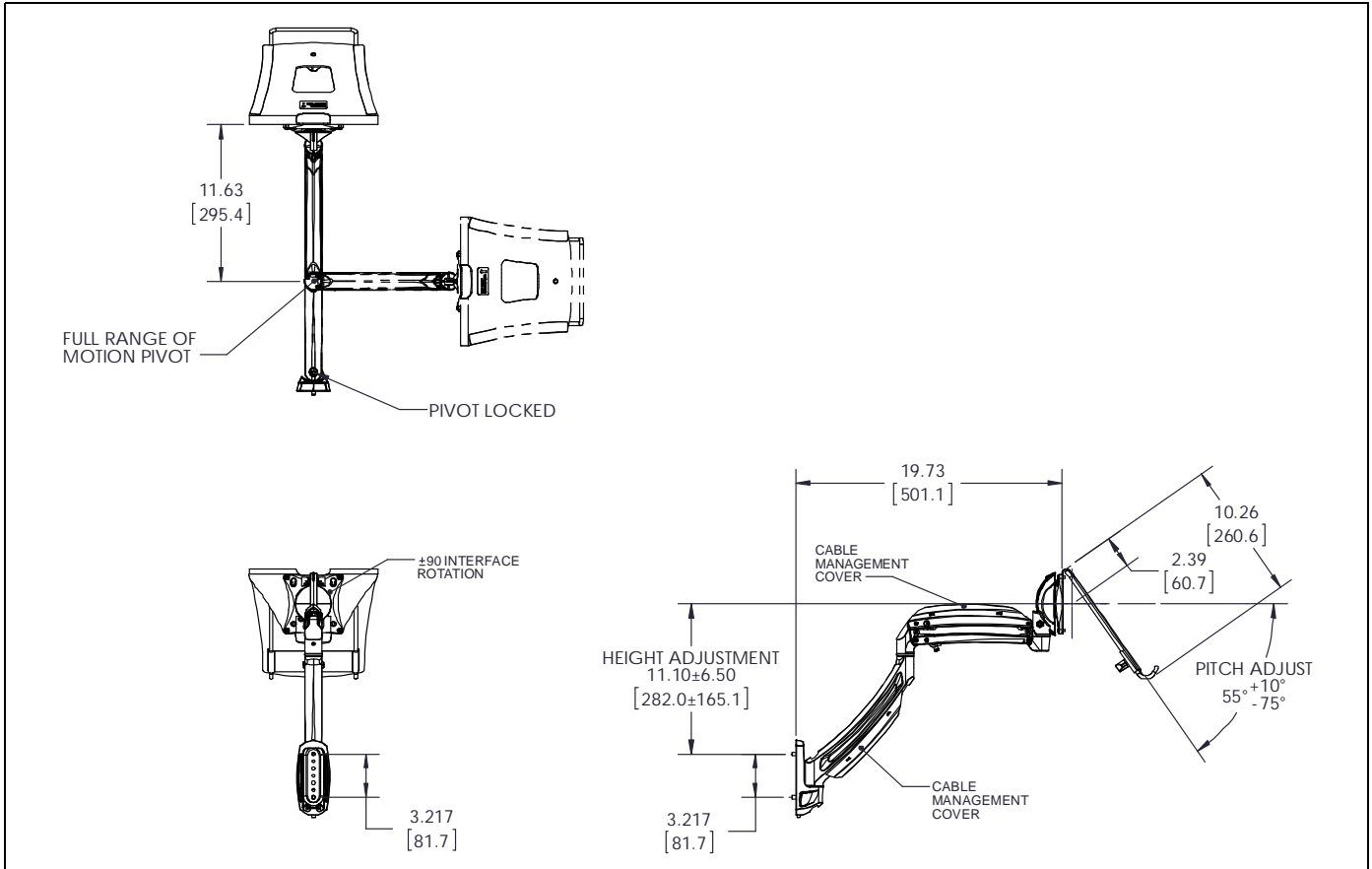


WARNING: Failure to provide adequate structural strength for this component can result in serious personal injury or damage to equipment! It is the installer's responsibility to make sure the structure to which this component is attached can support five times the combined weight of all equipment. Reinforce the structure as required before installing the component.

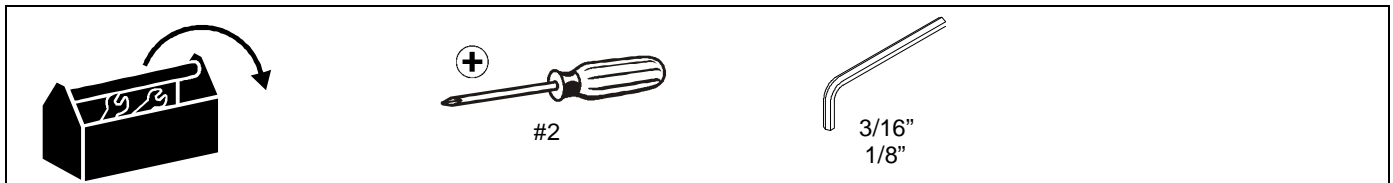


WARNING: Exceeding the weight capacity can result in serious personal injury or damage to equipment! It is the installer's responsibility to make sure the combined weight of all components located on the laptop arm do not exceed 15 lbs (6.8 kg) per arm.

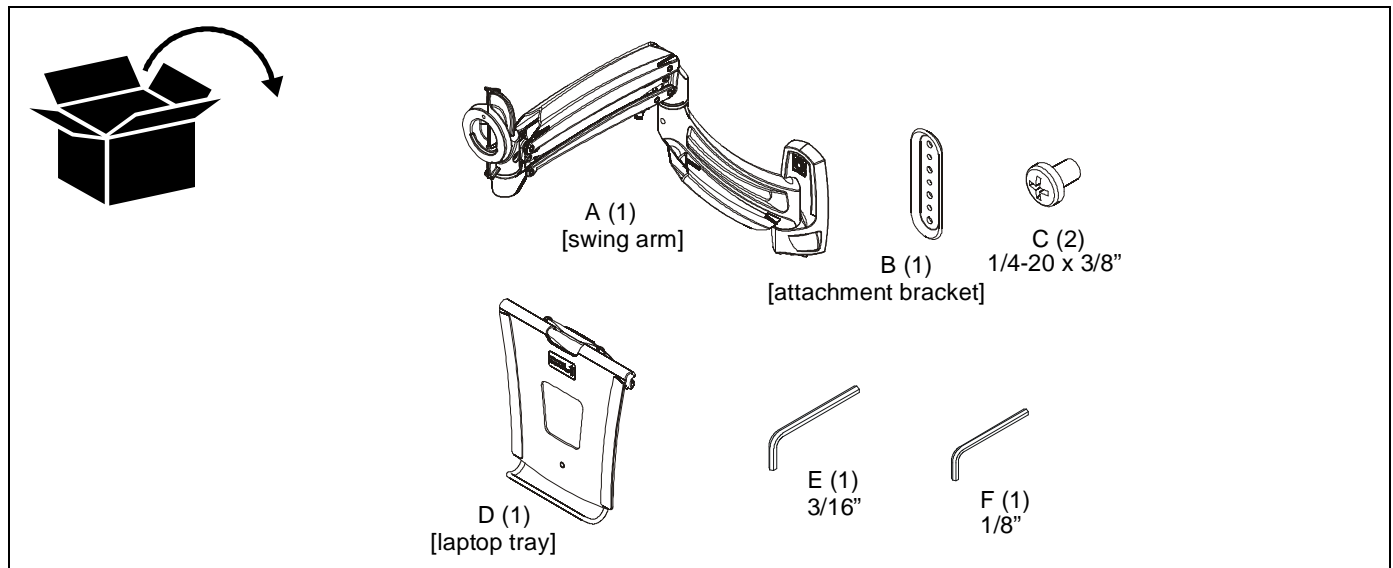
DIMENSIONS



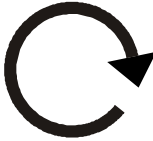

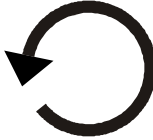









TOOLS REQUIRED FOR INSTALLATION



PARTS



LEGEND

| | | | |
|---|---|--|---|
|  | Tighten Fastener Apretar elemento de fijación Befestigungsteil festziehen Apertar fixador Serrare il fissaggio Bevestiging vastdraaien Serrez les fixations |  | Pencil Mark Marcar con lápiz Stiftmarkierung Marcar com lápis Segno a matita Potloodmerkteken Marquage au crayon |
|  | Loosen Fastener Aflojar elemento de fijación Befestigungsteil lösen Desapertar fixador Allentare il fissaggio Bevestiging losdraaien Desserrez les fixations |  | Drill Hole Perforar Bohrloch Fazer furo Praticare un foro Gat boren Percez un trou |
|  | Phillips Screwdriver Destornillador Phillips Kreuzschlitzschraubendreher Chave de fendas Phillips Cacciavite a stella Kruiskopschroevendraaier Tournevis à pointe cruciforme |  | Adjust Ajustar Einstellen Ajustar Regolare Afstellen Ajuster |
|  | Open-Ended Wrench Llave de boca Gabelschlüssel Chave de bocas Chiave a punte aperte Steeksleutel Clé à fourche |  | Remove Quitar Entfernen Remover Rimuovere Verwijderen Retirez |
|  | By Hand A mano Von Hand Com a mão A mano Met de hand À la main |  | Optional Opcional Optional Opcional Opzionale Optie En option |
|  | Hex-Head Wrench Llave de cabeza hexagonal Sechskantschlüssel Chave de cabeça sextavada Chiave esagonale Zeskantsleutel Clé à tête hexagonale |  | Security Wrench Llave de seguridad Sicherheitsschlüssel Chave de segurança Chiave di sicurezza Veiligheidsleutel Clé de sécurité |

Assembly And Installation

NOTE: The following installation instructions assume that Projecta's rear projector cart (part # 11630010) has already been completely assembled. Do NOT attempt to install this monitor arm to any other cart or stand.

1. Use two 1/4-20 x 3/8" Phillips head machine screws (C) to secure attachment bracket (B) to rear projection cart. Use two holes on outside of either column extender of cart. (See Figure 1)

2. Hang swing arm (A) onto attachment bracket (B). (See Figure 3)
3. Secure swing arm (A) to attachment bracket (B) by tightening set screw. Ensure set screw engages back side of attachment bracket (B) to properly secure mount. (See Figure 3)
4. Position laptop tray (D) above swing arm mounting head. (See Figure 2)
5. Slide laptop tray onto mounting head until quick release tab clicks into place. (See Figure 2)

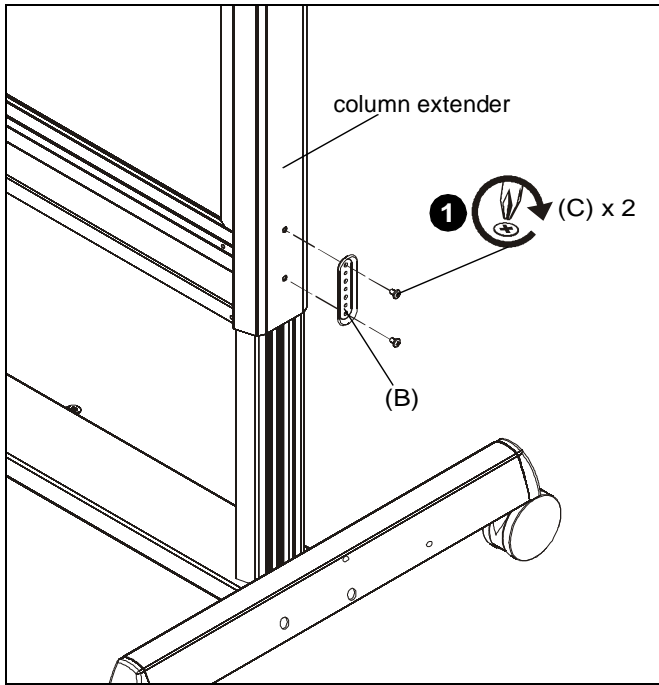


Figure 1

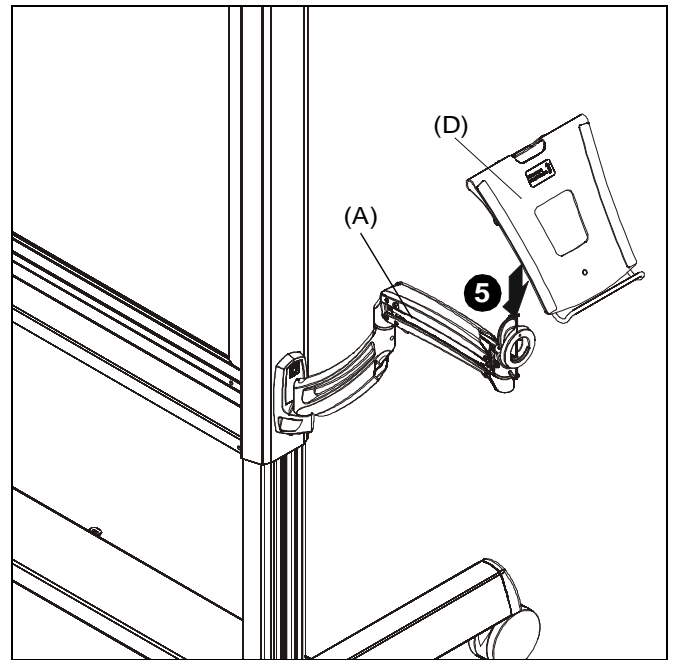


Figure 2

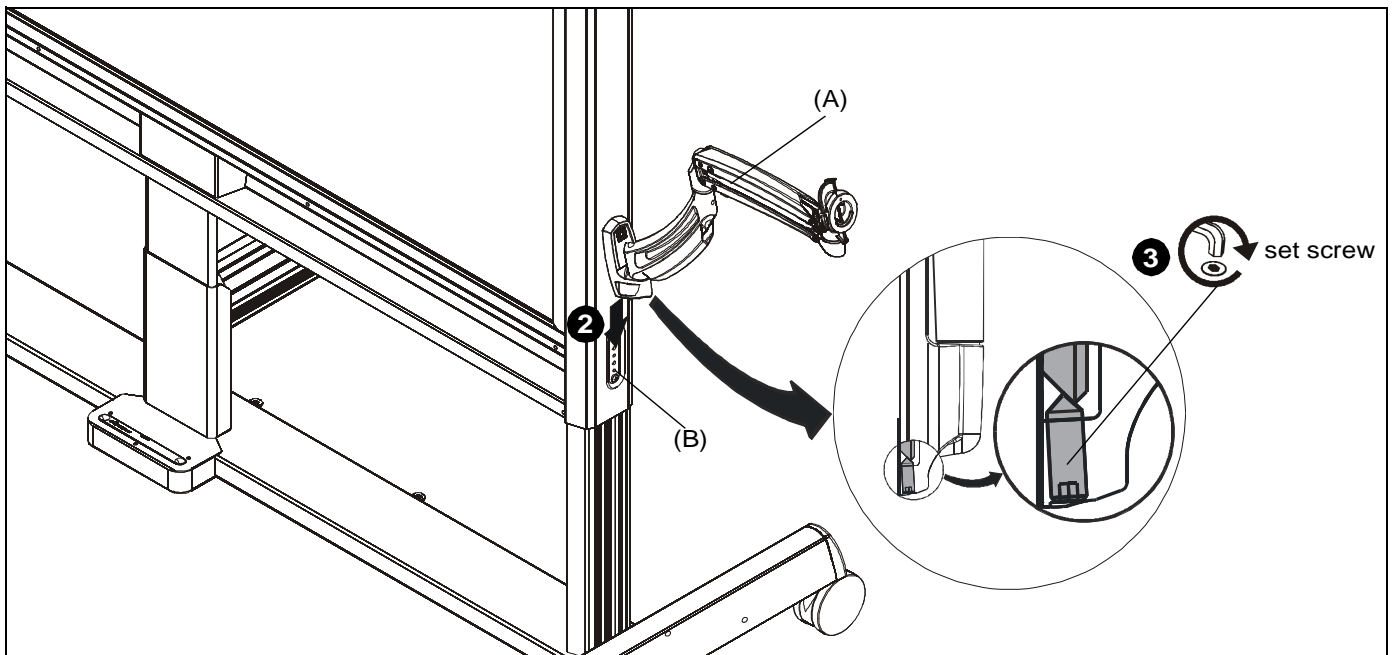


Figure 3

- Adjust mounting arm and tray to desired mounting level. See Adjustments Section for adjustment details.

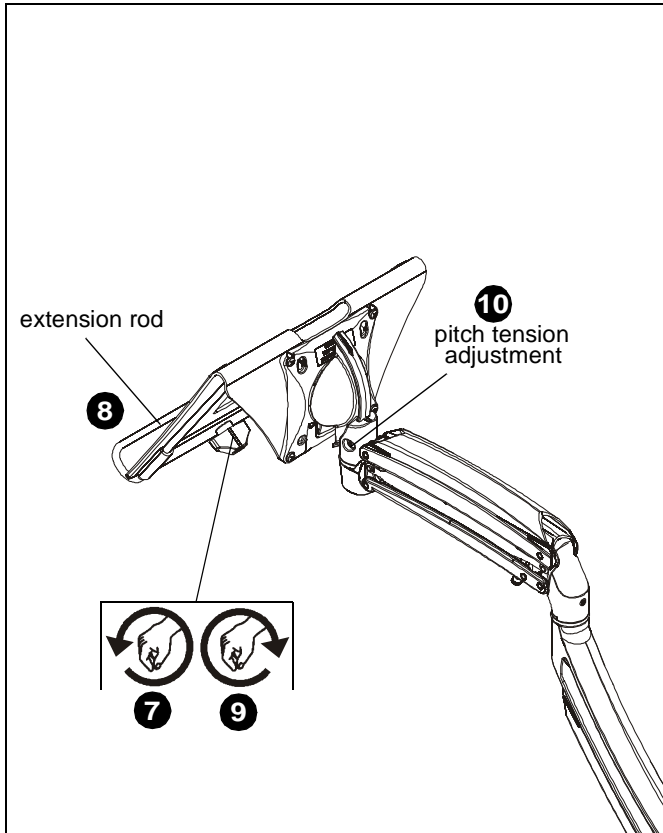


Figure 4

- Turn extension rod tension adjustment knob counter-clockwise to decrease tension. (See Figure 4)
- Extend laptop extension rod as desired. (See Figure 4)
- Turn extension rod tension adjustment knob clockwise to tighten extension rod in place. (See Figure 4)



WARNING: Exceeding the weight capacity can result in serious personal injury or damage to equipment! It is the installer's responsibility to make sure the combined weight of all components located on the laptop arm do not exceed 15 lbs (6.8 kg) per arm. Use with products heavier than the maximum weight indicated may result in collapse of the mount and its accessories causing possible injury.

- Center laptop on tray and adjust pitch tension as needed to hold tray in desired position. (See Figure 4)

Adjustments

Head Tilt Adjustment

- Adjust head tilt to desired tilt position. (See Figure 5)
- Adjust head tilt tension screw to change the adjustment tension. (See Figure 5)

Height Adjustment



CAUTION: OVERTENSIONING THE HEIGHT-ADJUSTMENT TENSION SCREW MAY CAUSE DAMAGE! Do NOT over-tighten height-adjustment tension screw when adjusting tension for lighter or heavier displays.

- Adjust arm height to its maximum height level. (See Figure 5)
- Open cable management cover on upper arm to expose height-adjustment tension screw. See Cable Management section for details.
- Use 1/8" hex key (F) to adjust height-adjustment tension screw to change adjustment tension. (See Figure 5)

NOTE: Turn clockwise to reduce tension for lighter displays and counter-clockwise to increase tension for heavier displays.

- Close cable management cover on upper arm. See Cable Management section for details.

Pivot Adjustment

- Adjust pivot position as desired. (See Figure 5)
- Use 3/16" hex key (E) to adjust pivot point tension screws to change pivot adjustment tension. (See Figure 5)

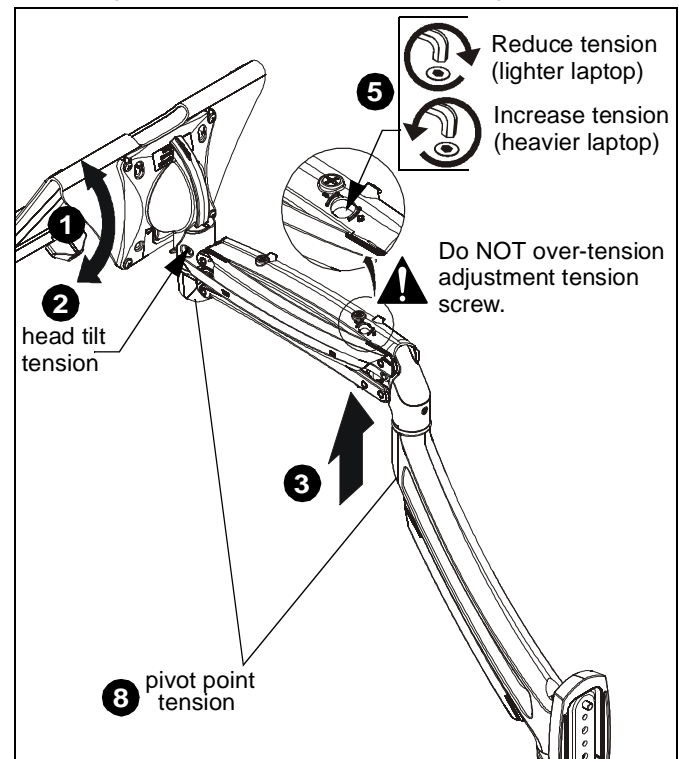


Figure 5

Cable Management

1. Use screwdriver to unhinge tab on either end of cable management cover on upper arm. (See Figure 6)
2. Slide screwdriver along edge of cover until remaining tabs are unhinged and cover is in the "open" position. (See Figure 6) and (See Figure 7)

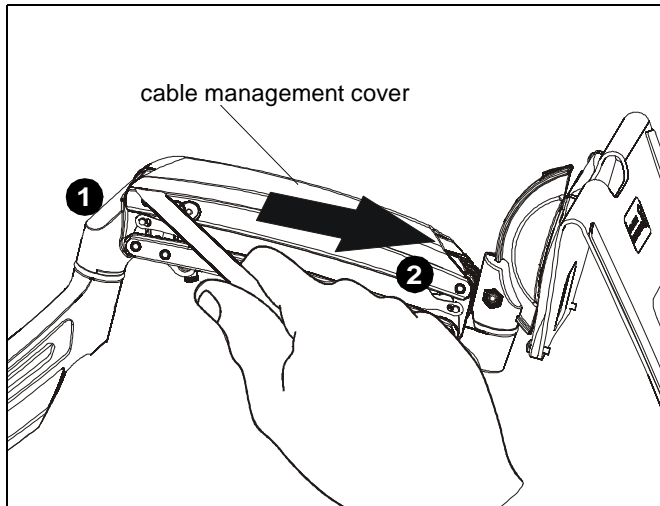


Figure 6

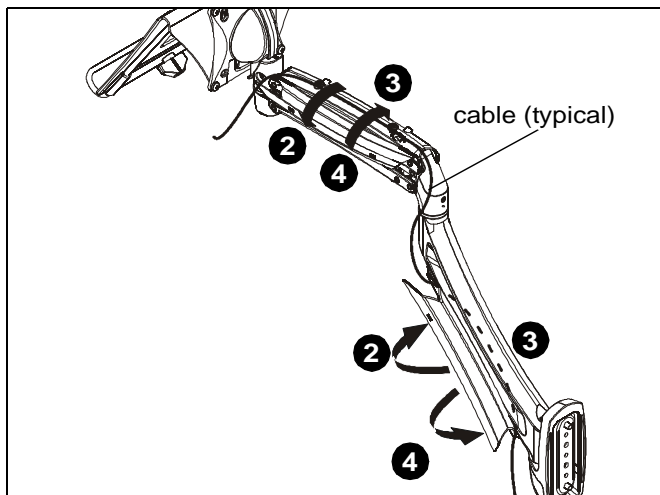


Figure 7

3. Route cables through cable management channels. (See Figure 7)

IMPORTANT ! : Be sure to leave enough slack in the cables near display and arm joint to allow for full arm articulation!

4. Close cable management covers on monitor arm. (See Figure 7)
5. Repeat Steps 1-4 for lower arm.

PROJECTA

8800-002438 Rev00
07/13

Projecta - Milestone AV Technologies B.V.

P.O. Box 191
6000 AD Weert, the Netherlands

Phone: +31 (0)495.580.850
Fax: +31 (0) 495.580.860
www.projectascreens.co.uk
emea.sales@milestone.com

