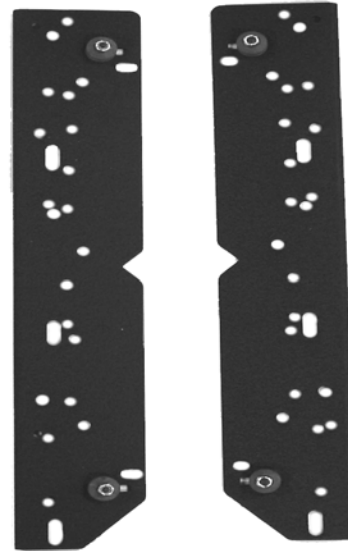

INSTRUCTION MANUAL

PSB-1400 Universal Flat Panel Display Wall Mount Brackets

The Model PSB-1400 is a versatile mounting solution for a variety of Large Flat Panel displays for business, home theater and commercial applications. Display mounting is made simple, safe, and secure using Chief's exclusive Q-latch™ Mounting System.



BEFORE YOU BEGIN

- **CAUTION:** To prevent damage to the mount, which could affect or void the Factory warranty, thoroughly study all instructions and illustrations before you begin to install the mount brackets. Pay particular attention to the “Important Precautions” on Page 1.
- If you have any questions about this installation, contact Chief Manufacturing at 1-800-582-6480 or 952-582-6480.



CHIEF MANUFACTURING INC.
1-800-582-6480 952-894-6280 FAX 952-894-6918
12800 HIGHWAY 13 SOUTH, SUITE 500
SAVAGE, MINNESOTA 55378 USA

PART NO. 8805-000015 (Rev. F)
©2003 Chief Manufacturing
www.chiefmfg.com
Printed in USA 11-03



IMPORTANT WARNINGS and CAUTIONS!

- WARNING:** A **WARNING** alerts you to the possibility of serious injury or death if you do not follow the instructions.
- CAUTION:** A **CAUTION** alerts you to the possibility of damage or destruction of equipment if you do not follow the corresponding instructions.
- **WARNING:** Improper installation can result in serious personal injury! Make sure that the mounting surface structural members can support a redundant weight factor *five times* the total weight of the equipment: if not, reinforce the mounting surface structural members before installing the mount.
 - **WARNING:** You must use proper attaching hardware and installation procedures. Failure to use proper attaching hardware and installation procedures may result in equipment damage or serious personal injury.
 - **WARNING:** Be aware of the potential for personal injury or damage to the unit if it is not adequately mounted.
 - **WARNING:** The installer is responsible for verifying that the mounting surface structural members to which the mount is anchored will safely support the combined load of all attached components or other equipment.
 - **WARNING:** The combined weight of the display panel must not exceed 150 lbs. (68.04 kg), the maximum load capacity of the mount.
 - **CAUTION:** Check the unit for shipping damage before you begin the installation.
 - **CAUTION:** Overtightening mounting screws may damage your Large Flat Panel display.

TOOLS REQUIRED FOR INSTALLATION

- Phillips screwdrivers, No. 1 and No. 2
- Allen wrench set

NOTE: Other tools may be required depending on the method of installation.

CONTENTS

INSPECT THE BRACKETS AND ATTACHING HARDWARE BEFORE INSTALLING3

SELECT DISPLAY MODEL AND DETERMINE PARTS4

DETERMINE MOUNTING BRACKET HOLE PATTERN5

 Groups 1 Through 8 Hole Pattern:5

 Groups 9 Through 11 Hole Pattern:6

DETERMINE BRACKET INSTALLATION PROCEDURES7

 Group 1 Installation Procedures:7

 Remove Mounting Buttons7

 Attach Interface Brackets7

 Group 2 Installation Procedures:9

 Attach Interface Brackets9

 Group 3 Installation Procedures:10

 Attach Interface Brackets10

 Group 4 Installation Procedures12

 Attach Interface Brackets12

 Group 5 Installation Procedures13

 Attach Interface Brackets13

 Group 6 Installation Procedures14

 Attach Interface Brackets14

 Group 7 Installation Procedures15

 Remove Sony Mounting Buttons15

 Attach Interface Brackets15

 Group 8 Installation Procedures16

 Remove Sony Mounting Buttons16

 Attach Interface Brackets16

 Group 9 Installation Procedures18

 Attach Interface Brackets18

 Group 10 Installation Procedures19

 Remove Sony Mounting Buttons19

 Attach Interface Brackets19

 Group 11 Installation Procedures20

 Attach Interface Brackets20

INSPECT THE BRACKETS AND ATTACHING HARDWARE BEFORE INSTALLING

- Carefully inspect the interface brackets (see Figure 1) for shipping damage. If any damage is apparent, call your carrier claims agent and do not continue with the installation until the carrier has reviewed the damage.

NOTE: Read all assembly instructions before starting assembly.

- Carefully inspect all parts bags to ensure all components are contained in each bag. If any components are missing, contact Chief Manufacturing at 1-800-582-6480 or 952-582-6480

Item	Qty	Description
Bracket	(1)	Left
Bracket	(1)	Right
Parts Bag A:	(4)	10-24 x 7/8" Button Head Cap Screw
	(4)	10-24 Ny-Lock Nut
	(4)	Mounting Button
	(1)	1/8" Allen Key
Parts Bag B:	(12)	Nylon Spacer .75" OD x .26" ID x .375"
Parts Bag C:	(4)	M4 x 30mm Philips Head Cap Screw
Parts Bag D:	(4)	Nylon Spacer .50" OD x .285" ID x .625"
Parts Bag E:	(4)	M5 x 35mm Philips Head Cap Screw
Parts Bag F:	(4)	M5 x 20mm Philips Head Cap Screw
Parts Bag G:	(6)	M5 x 25mm Philips Head Cap Screw
Parts Bag H:	(6)	M6 x 20mm Philips Head Cap Screw
Parts Bag J:	(6)	1/4" Steel Washer

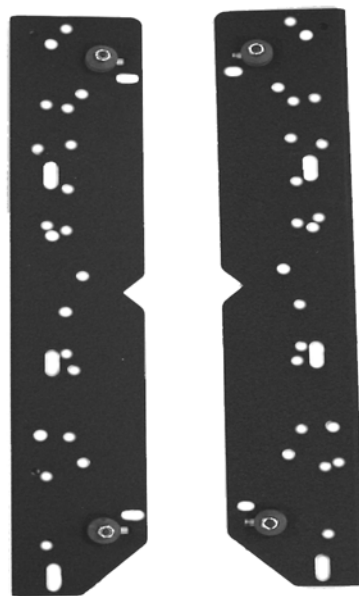


Figure 1. Brackets

SELECT DISPLAY MODEL AND DETERMINE PARTS

These interface brackets are designed to fit a wide variety of display models. Study the following information carefully to select the proper hardware and assembly procedures for your specific Large Flat Panel display model. To determine the correct hardware and procedures, perform the following:

1. Using the chart below, locate your Large Flat Panel display model.
2. Note and record the group number for your Large Flat Panel display model.
3. Note and record the parts bags required for your Large Flat Panel display model.

NOTE: Not all hardware will be used for every installation. Do not discard extra hardware until installation is complete.

4. Using the group number determined in Step 2, proceed to “DETERMINE MOUNTING BRACKET HOLE PATTERN” on page 5 and follow the instructions for you Flat Panel Display model.

Group #	Plasma Flat Screen		Parts Bags
1	Sony	PFM 32 Series	A, D, G
2	Sony	KZ-42TS1, KE-42TS2U	A, C, D
3	Dukane	P37, P42,	A, B, H, J
	Hitachi	CMP307XU, CMP401XU, CMP402HDU, CMP402HDE, CMP4102HDU, CMP4120HDU, CMP4121HDU, CMP4220HDU, 42HDT20, 42PD3000, 42PMA400E, 42HDX60, 42HDX70,	
	Marantz	PD-4298HD	
4	Hitachi	32HDT20, 32PD3000	A, B, H
5	Monovision	PD-3231	A, B, H
6	Sanyo	PDP-32H1A	A, D, G
7	Sony	PDM-5010, PFM 50 Series, KE-50MK1	A, B, H
8	Sony	42” and 50” XBR Series, PDM-4200, PDM-5000	A, B, F
9	Sony	KZ-32TS1, KE-32TS2U	A, D, E
10	Sony	PFM 42 Series	A, B, H
11	Eiki”	PLD-42XU	A, B, F
	Sanyo 42	PDP-42H1A, PDP-42H1W	

DETERMINE MOUNTING BRACKET HOLE PATTERN

Each interface bracket has 4 square holes for attaching mounting buttons (See Figure 2). These holes are arranged in a 14" vertical spacing pattern. When the proper hole pattern is used, the mounting buttons will form a 14" square (horizontal and vertical) pattern when installed on your Large Flat Panel display. The following steps will explain how to attach the mounting buttons in the proper square holes for your specific Flat Panel Display model.

Groups 1 Through 8 Hole Pattern:

WARNING: You must use proper attaching hardware and installation procedures. Failure to use proper attaching hardware and installation procedures may result in equipment damage or serious personal injury.

1. Lay the brackets out with the bent lip of each interface bracket down (see Figure 2).
2. Open the parts bag labeled A.
3. Using the mounting buttons and hardware in the parts bag labeled A, attach the mounting buttons in the square holes closest to the middle (inside) of each interface bracket (see Figure 2 and Figure 3).
4. Using the group number you recorded for your Large Flat Panel display model, proceed to "DETERMINE BRACKET INSTALLATION PROCEDURES" on page 7 and follow the instructions for your Flat Panel Display model.

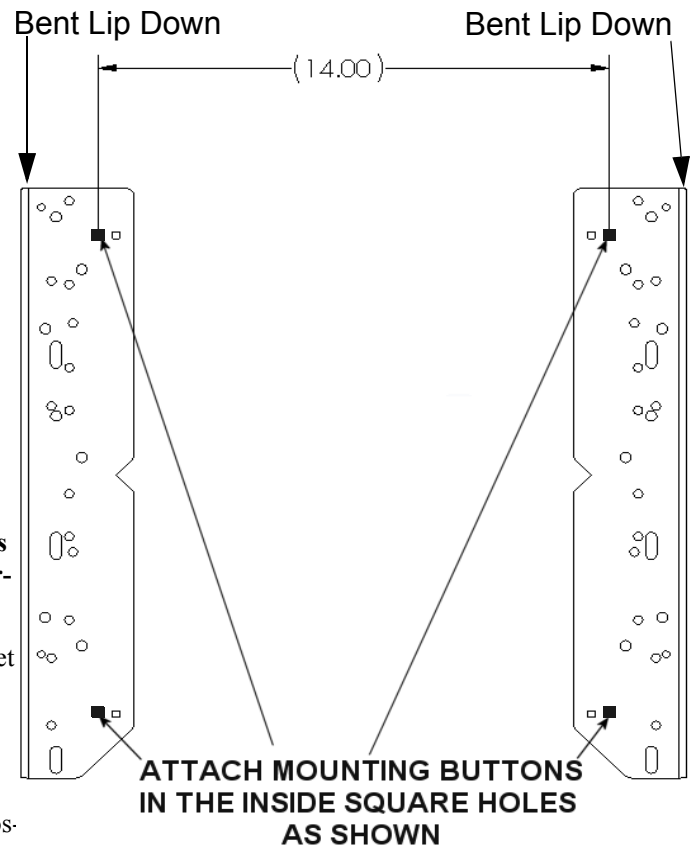


Figure 2. Brackets for Groups 1-8 with Bent Lip Down

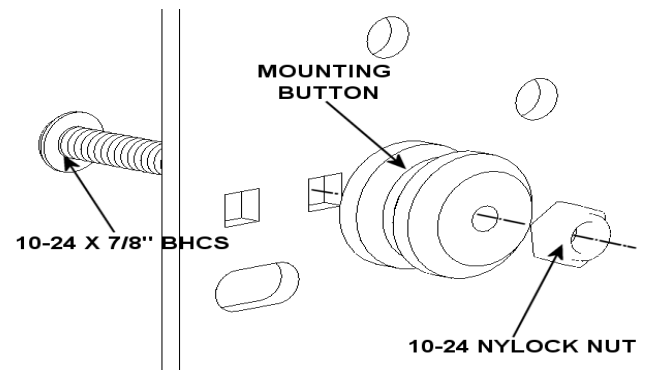


Figure 3. Button Installation for Groups 1-8

Groups 9 Through 11 Hole Pattern:

WARNING: You must use proper attaching hardware and installation procedures. Failure to use proper attaching hardware and installation procedures may result in equipment damage or serious personal injury.

1. Lay the interface brackets out with the bent lip of each interface bracket down (see Figure 4).
2. Open the parts bag labeled A.
3. Using the mounting buttons and hardware in the parts bag labeled A, attach the mounting buttons in the square holes closest to the outer edge (outside) of the interface bracket (see Figure 4 and Figure 5).
4. Using the group number you recorded for your Large Flat Panel display model, proceed to “DETERMINE BRACKET INSTALLATION PROCEDURES” on page 7 and follow the instructions for you Flat Panel Display model.

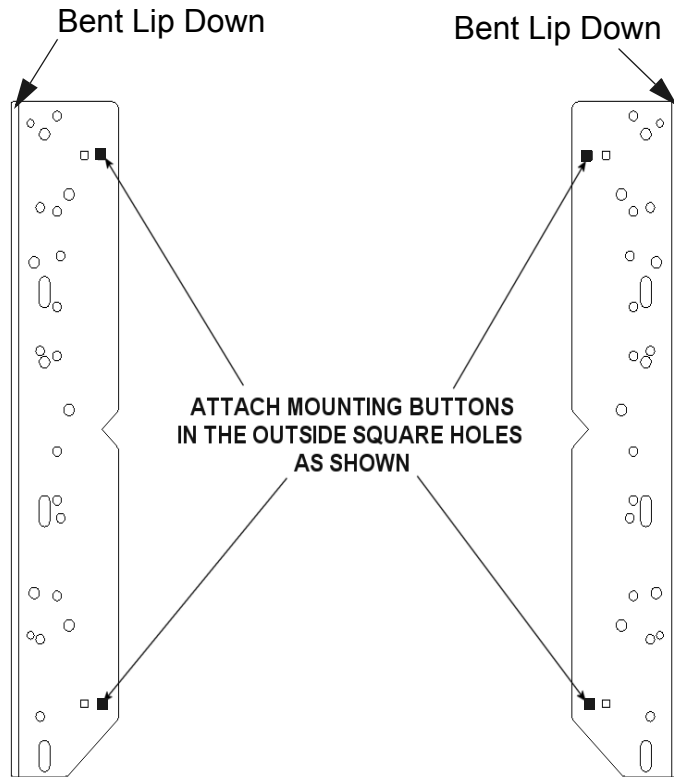


Figure 4. Brackets for Groups 9-11 with Bent Lip Down

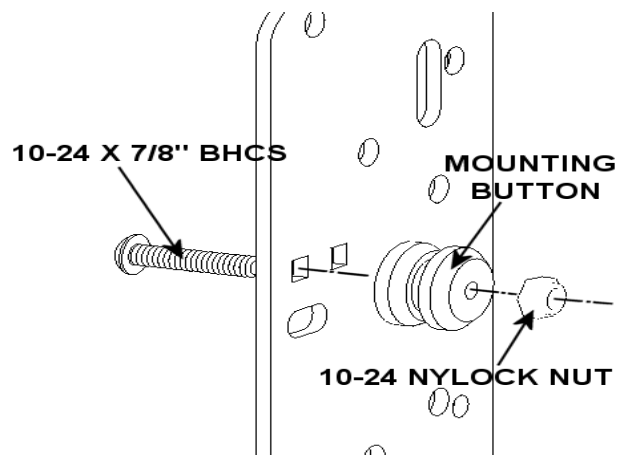


Figure 5. Button Installation for Groups 9-11

DETERMINE BRACKET INSTALLATION PROCEDURES

Group 1 Installation Procedures:

Remove Mounting Buttons

1. Using a Phillips screwdriver, remove the four mounting buttons attached to the back of your Large Flat Panel display (see Figure 6).
2. Retain or discard the four mounting buttons and attaching hardware at your discretion.

WARNING: You must use proper attaching hardware and installation procedures. Failure to use proper attaching hardware and installation procedures may result in equipment damage or serious personal injury.

Attach Interface Brackets

1. Identify and select the parts bags labeled D and G.
2. Remove the Nylon spacers from the parts bag labeled D.
3. Place the Nylon spacers over the mounting holes on your Large Flat Panel display (see Figure 7).
4. Place the interface brackets over the Nylon spacers (see Figure 7 and Figure 8).
5. Select the parts bag labeled G.

CAUTION: Overtightening mounting screws may damage your Large Flat Panel display.

6. Using the hardware in the parts bag labeled G, attach the interface bracket to your Large Flat Panel display using the holes that line up with your Large Flat Panel display mounting holes (see Figure 7 and Figure 8). Do not overtighten the mounting screws.

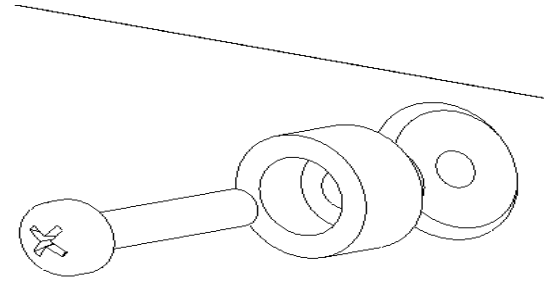


Figure 6. Remove Sony Mounting Buttons

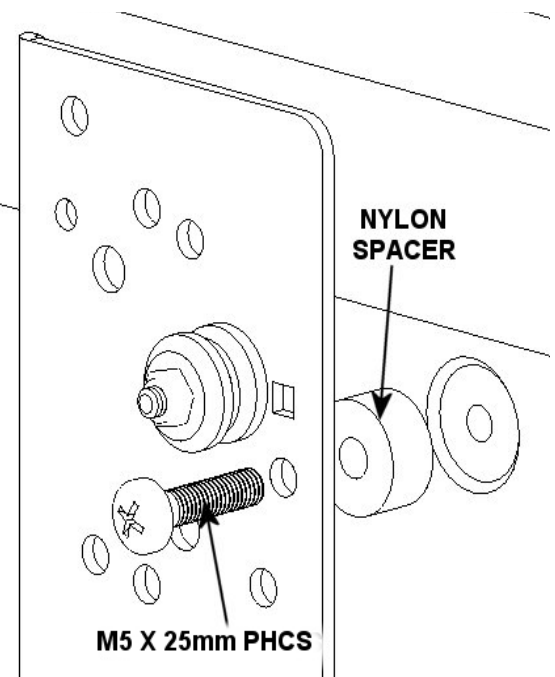


Figure 7. Spacer Installation for Group 1

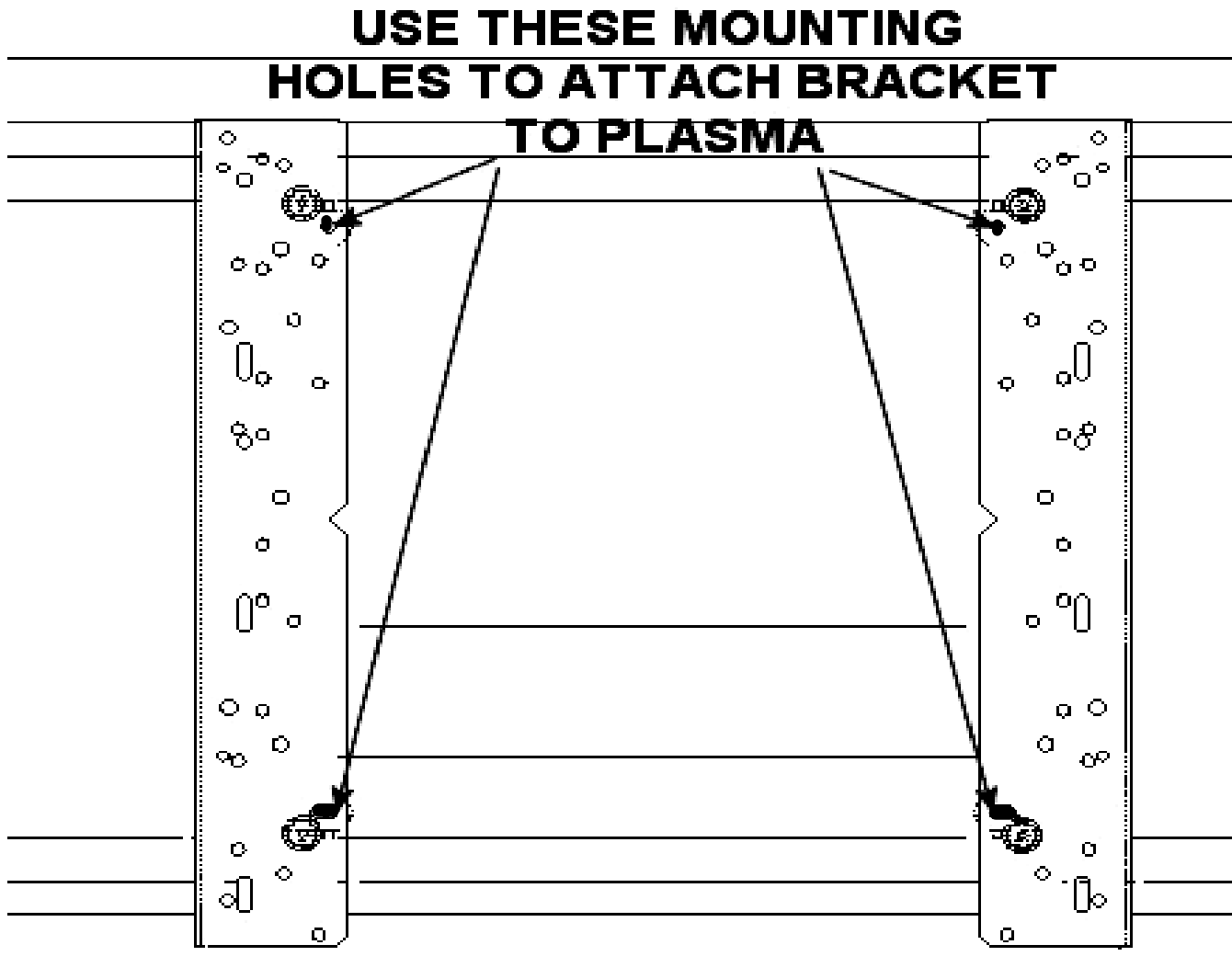


Figure 8. Bracket Attachment for Group 1

Group 2 Installation Procedures:

WARNING: You must use proper attaching hardware and installation procedures. Failure to use proper attaching hardware and installation procedures may result in equipment damage or serious personal injury.

Attach Interface Brackets

1. Identify and select the parts bags labeled C and D.
2. Remove the Nylon spacers from the parts bag labeled D.
3. Place the Nylon spacers over the four mounting holes on your Large Flat Panel display (see Figure 9).
4. Place the interface brackets over the Nylon spacers (see Figure 9 and Figure 10).
5. Select the parts bag labeled C.

CAUTION: Overtightening mounting screws may damage your Large Flat Panel display.

6. Using the hardware in the parts bag labeled C, attach the interface bracket to the display using the holes that line up with your Large Flat Panel display mounting holes (see Figure 9 and Figure 10). Do not overtighten the mounting screws.

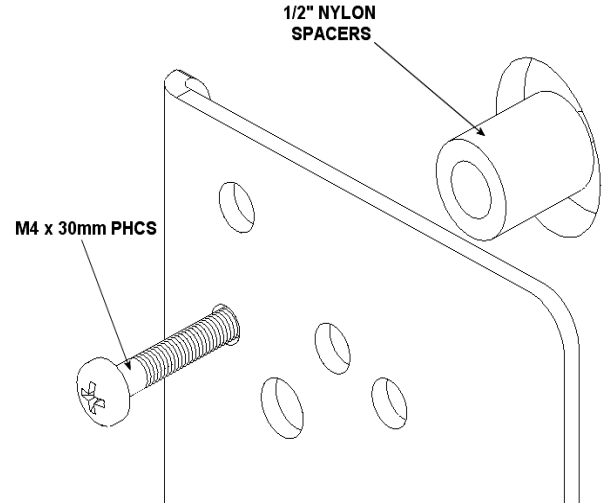


Figure 9. Spacer Installation for Group 2

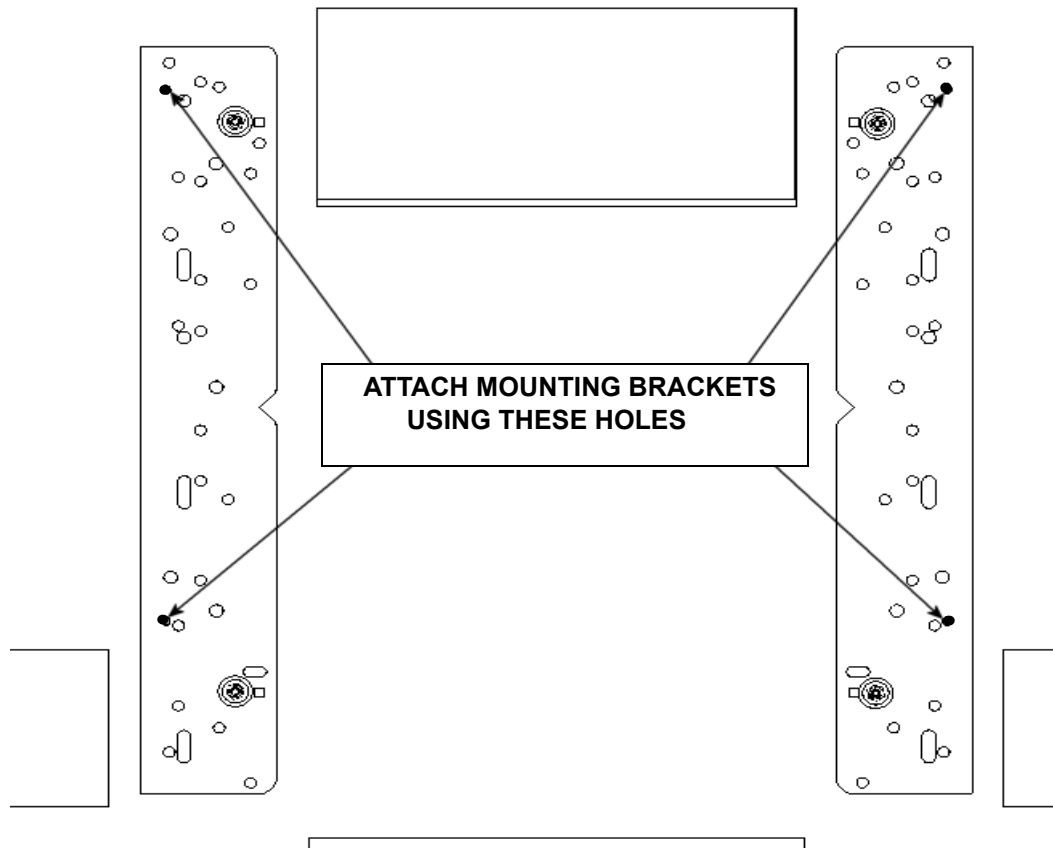


Figure 10. Bracket Attachment for Group 2

Group 3 Installation Procedures:

WARNING: You must use proper attaching hardware and installation procedures. Failure to use proper attaching hardware and installation procedures may result in equipment damage or serious personal injury.

Attach Interface Brackets

1. Identify and select the parts bags labeled B, H, and J.
2. Remove the Nylon spacers from the parts bag labeled B.
3. Place the Nylon spacers over the six mounting holes on your Large Flat Panel display (see Figure 11).
4. Place the interface brackets over the Nylon spacers (see Figure 12 and Figure 13).
5. Select the parts bags labeled H and J.

CAUTION: Overtightening mounting screws may damage your Large Flat Panel display.

6. Using the hardware in the parts bags labeled H and J, place one steel flat washer over the interface bracket (see Figure 12 and Figure 13) and secure the interface brackets to your Large Flat Panel display using the M6X20mm screws. Do not overtighten the mounting screws.

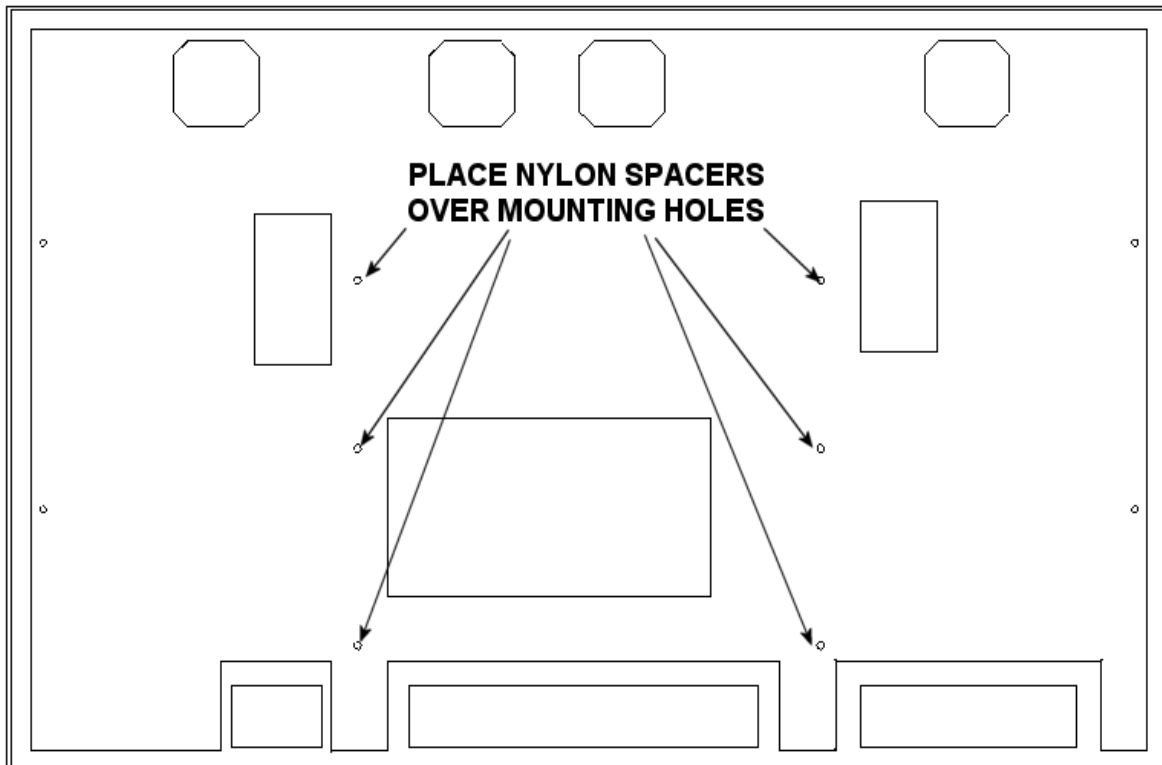


Figure 11. Spacer Location for Group 3

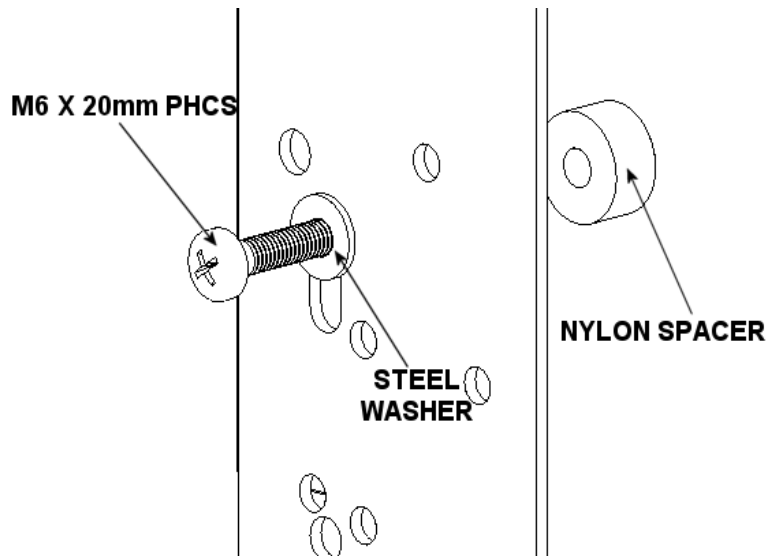


Figure 12. Spacer Installation for Group 3

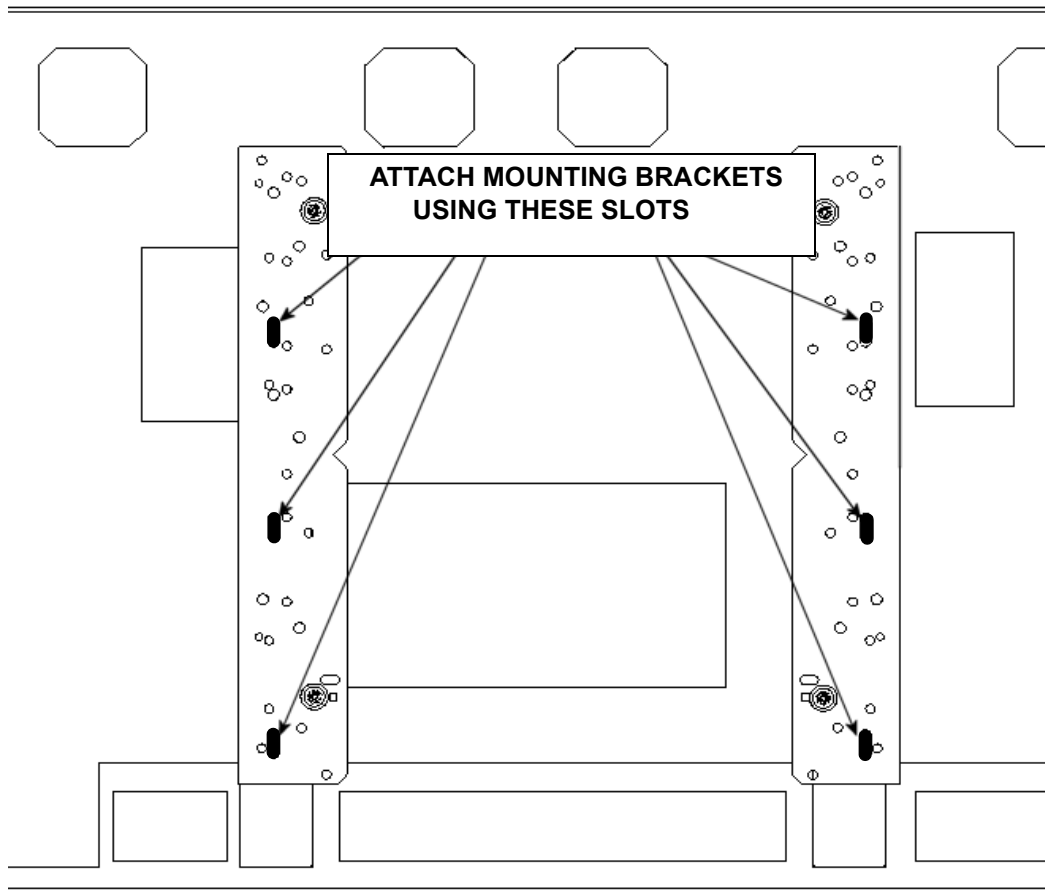


Figure 13. Bracket Attachment for Group 3

Group 4 Installation Procedures

WARNING: You must use proper attaching hardware and installation procedures. Failure to use proper attaching hardware and installation procedures may result in equipment damage or serious personal injury.

Attach Interface Brackets

1. Identify and select the parts bags labeled B and H.
2. Remove the Nylon spacers from the parts bag labeled B.
3. Place the Nylon spacers over the six mounting holes on your Large Flat Panel display (see Figure 14).
4. Place the interface brackets over the Nylon spacers (see Figure 15).
5. Select the parts bag labeled H.

CAUTION: Overtightening mounting screws may damage your Large Flat Panel display.

6. Using the M6X20mm screws in the parts bag labeled H, attach the interface brackets to your Large Flat Panel display. Do not overtighten the mounting screws.

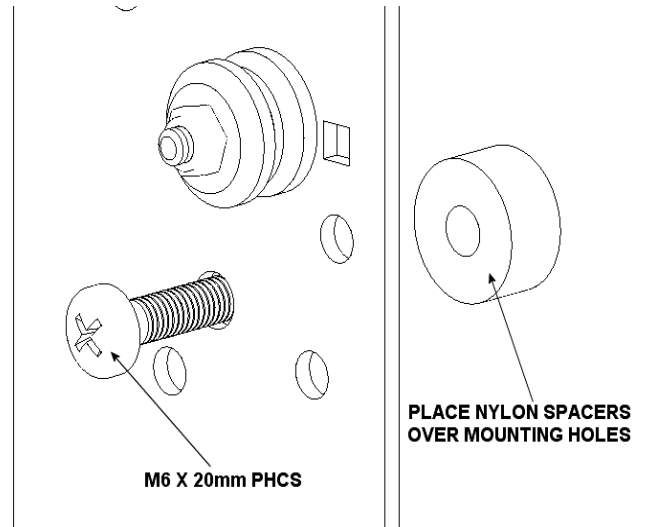


Figure 14. Spacer Installation for Group 4

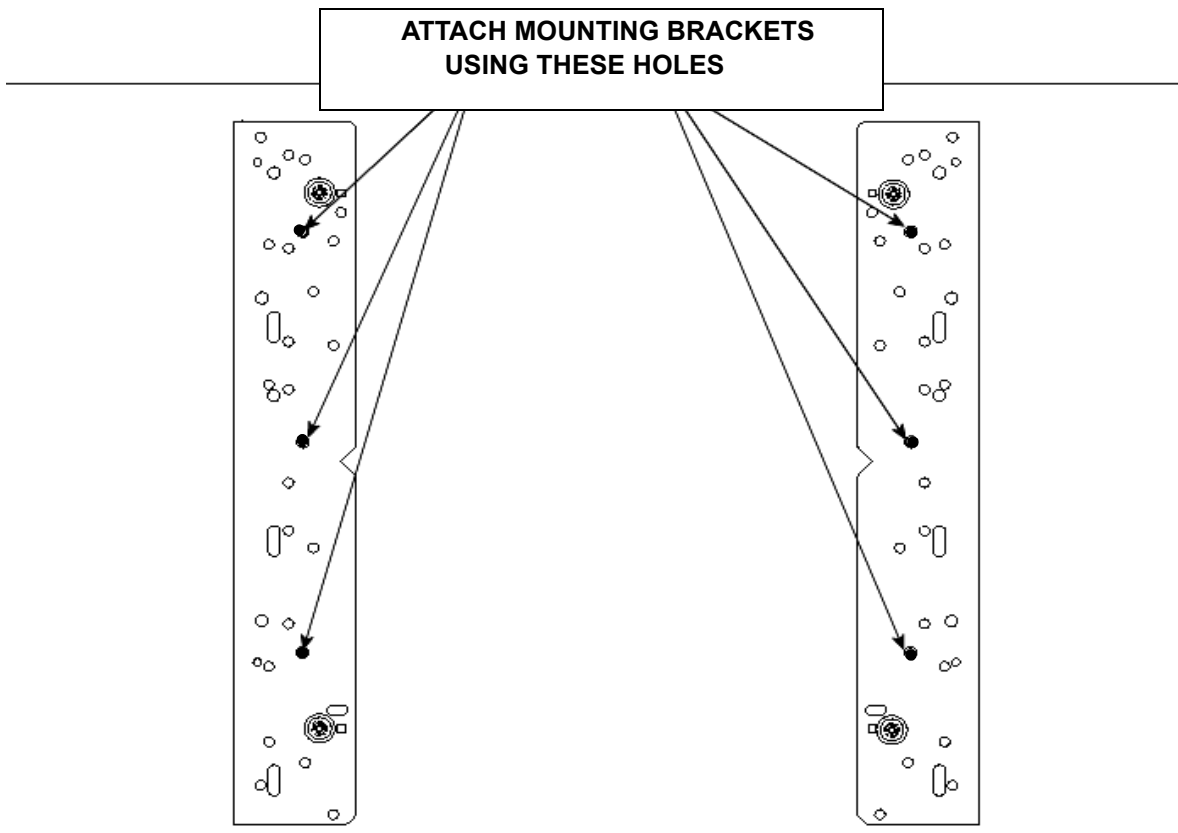


Figure 15. Bracket Attachment for Group 4

Group 5 Installation Procedures

WARNING: You must use proper attaching hardware and installation procedures. Failure to use proper attaching hardware and installation procedures may result in equipment damage or serious personal injury.

Attach Interface Brackets

1. Identify and select the parts bags labeled B and H.
2. Remove the Nylon spacers from the parts bag labeled B.
3. Place the four Nylon spacers over the mounting holes on your Large Flat Panel display (see Figure 16).
4. Place the interface brackets over the Nylon spacers (see Figure 17).
5. Select the parts bag labeled H.

CAUTION: Overtightening mounting screws may damage your Large Flat Panel display.

6. Using the M6X20mm screws in the parts bag labeled H, attach the interface brackets to your Large Flat Panel display. Do not overtighten the mounting screws.

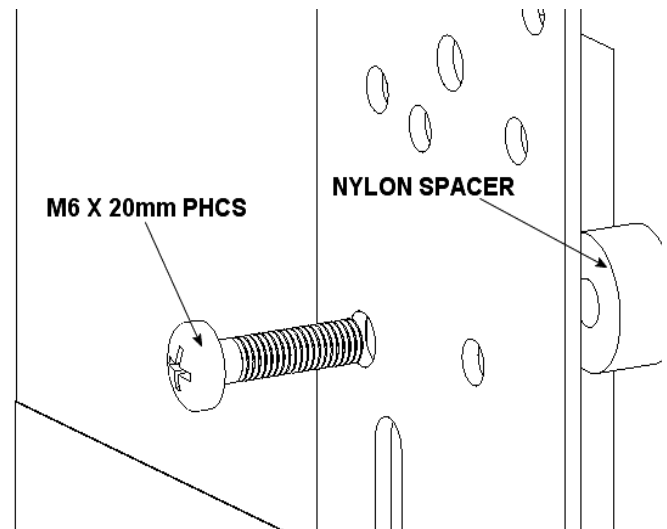


Figure 16. Spacer Installation for Group 5

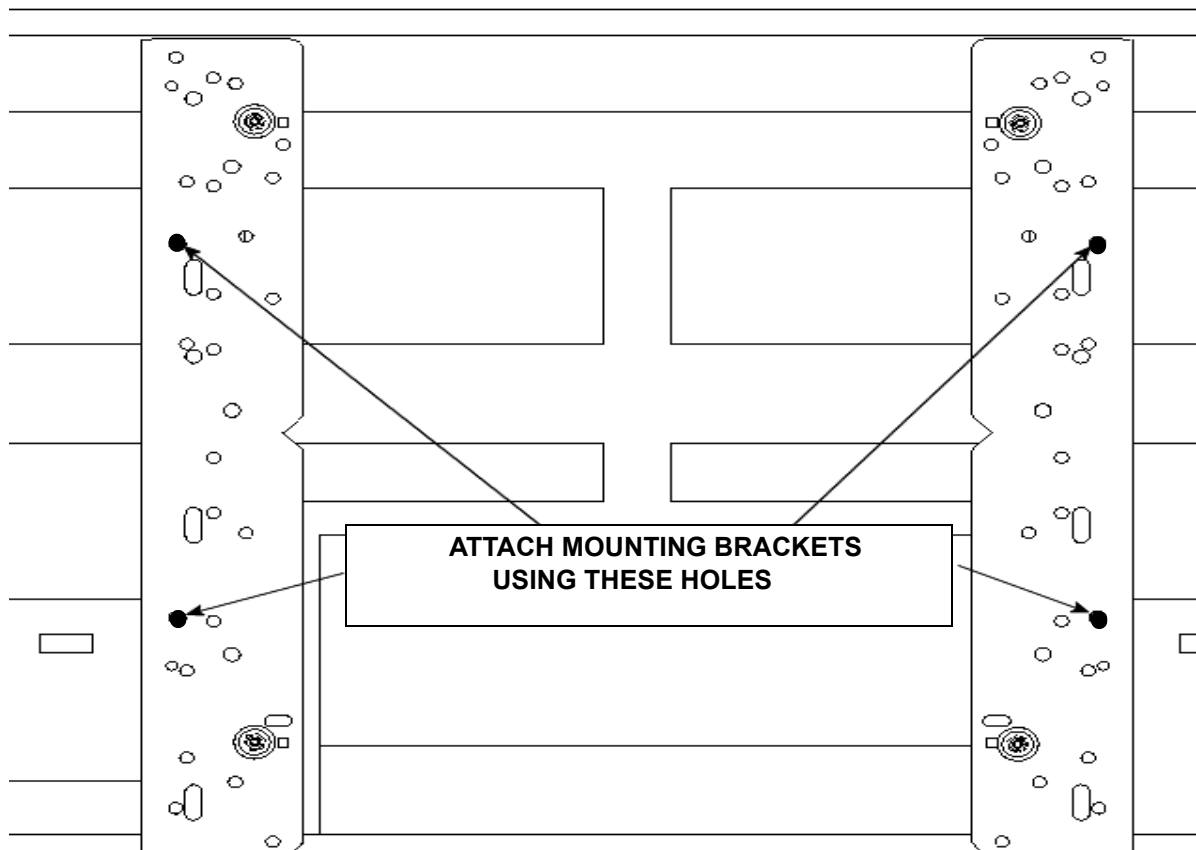


Figure 17. Bracket Attachment for Group 5

Group 6 Installation Procedures

WARNING: You must use proper attaching hardware and installation procedures. Failure to use proper attaching hardware and installation procedures may result in equipment damage or serious personal injury.

Attach Interface Brackets

1. Identify and select the parts bags labeled D and G.
2. Remove the Nylon spacers from the parts bag labeled D.
3. Place the Nylon spacers over the six mounting holes on your Large Flat Panel display (see Figure 18).
4. Place the interface brackets over the Nylon spacers (see Figure 19 and Figure 20).
5. Select the parts bag labeled C.

CAUTION: Overtightening mounting screws may damage your Large Flat Panel display.

6. Using the M5X25mm screws in the parts bag labeled C, attach the interface brackets to your Large Flat Panel display (see Figure 19 and Figure 20). Do not overtighten the mounting screws.

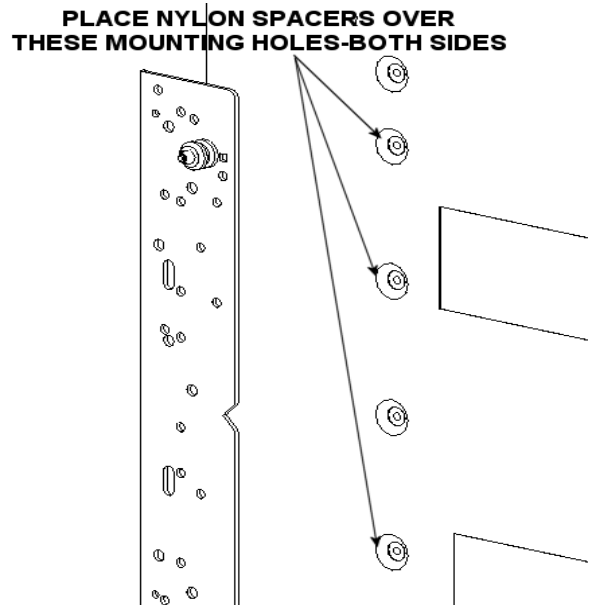


Figure 18. Spacer Location for Group 6

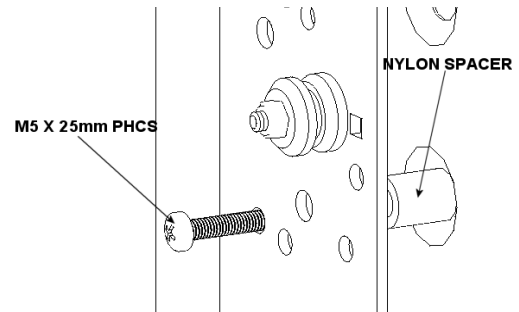


Figure 19. Spacer Installation for Group 6

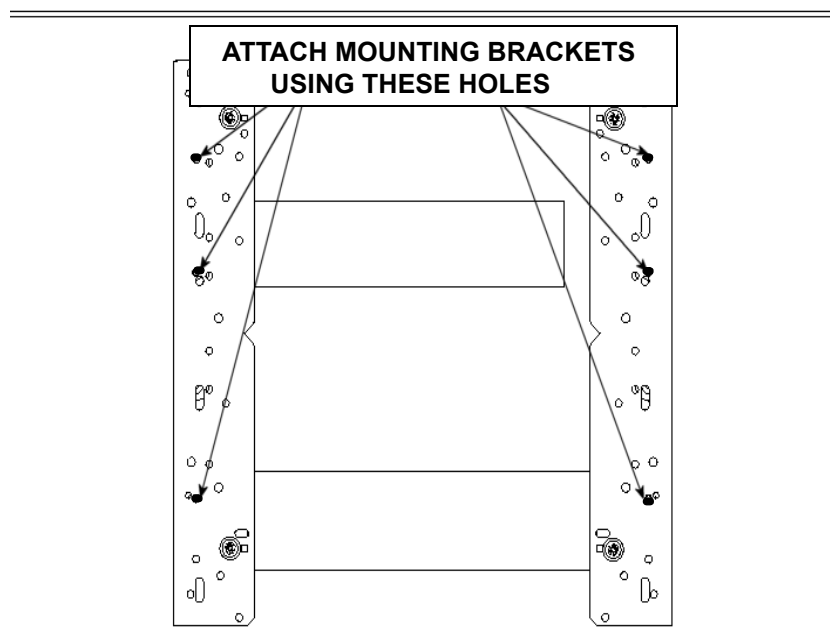


Figure 20. Bracket Attachment for Group 6

Group 7 Installation Procedures

WARNING: You must use proper attaching hardware and installation procedures. Failure to use proper attaching hardware and installation procedures may result in equipment damage or serious personal injury.

Remove Sony Mounting Buttons

1. Using a Phillips screwdriver, remove the four mounting buttons attached to the back of your Large Flat Panel display (see Figure 21).
2. Retain or discard the four mounting buttons and attaching hardware at your discretion.

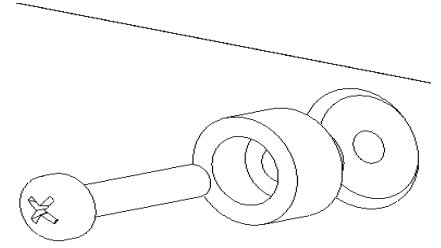


Figure 21. Remove Sony Mounting Buttons

Attach Interface Brackets

1. Identify and select the parts bags labeled B and H.
2. Remove the Nylon spacers from the parts bag labeled B.
3. Place the four Nylon spacers over the mounting holes on your Large Flat Panel display (see Figure 22).
4. Place the interface brackets over the Nylon spacers (see Figure 22 and Figure 23).
5. Select the parts bag labeled H.

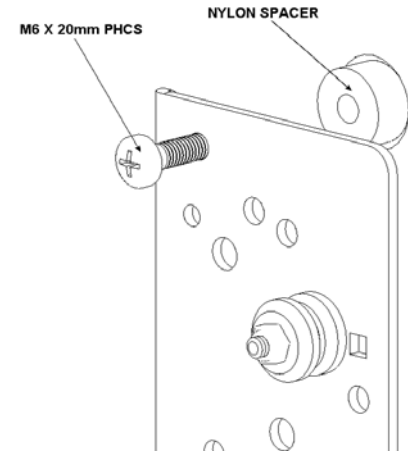


Figure 22. Spacer Installation for Group 7

CAUTION: Overtightening mounting screws may damage your Large Flat Panel display.

6. Using the hardware in the parts bag labeled H, secure the interface brackets to your Large Flat Panel display using the top hole and the bottom hole (see Figure 22 and Figure 23) in each interface bracket. Do not overtighten the mounting screws.

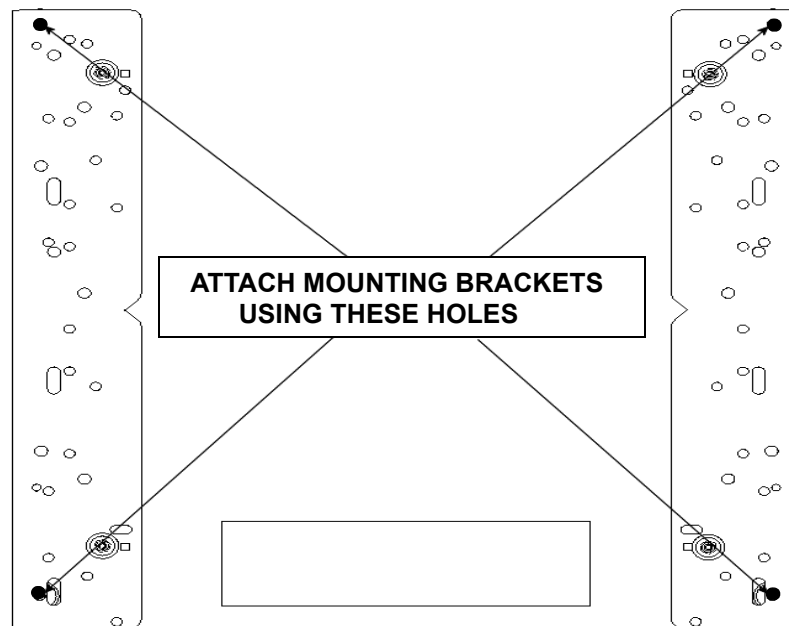


Figure 23. Bracket Attachment for Group 7

Group 8 Installation Procedures

Remove Sony Mounting Buttons

1. Using a Phillips screwdriver, remove the four mounting buttons attached to the back of your Large Flat Panel display (see Figure 24).
2. Retain or discard the four mounting buttons and attaching hardware at your discretion.

WARNING: You must use proper attaching hardware and installation procedures. Failure to use proper attaching hardware and installation procedures may result in equipment damage or serious personal injury.

Attach Interface Brackets

1. Identify and select the parts bags labeled B and F.
2. Remove the Nylon spacers from the parts bag labeled B.
3. Place the Nylon spacers over the four mounting holes on your Large Flat Panel display (see Figure 25).
4. Place the interface brackets over the Nylon spacers for either the 42" (see Figure 26) or 50" (see Figure 27) Large Flat Panel display.
5. Select the parts bag labeled F.

CAUTION: Overtightening mounting screws may damage your Large Flat Panel display.

6. Using the hardware in the parts bag labeled F, secure the interface brackets to your Large Flat Panel display (see Figure 26 or Figure 27). Do not overtighten the mounting screws.

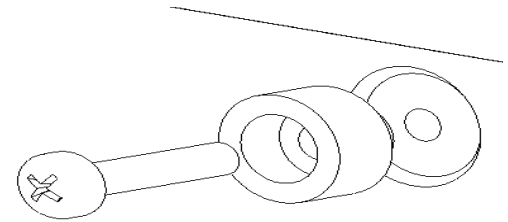


Figure 24. Remove Sony Mounting Buttons

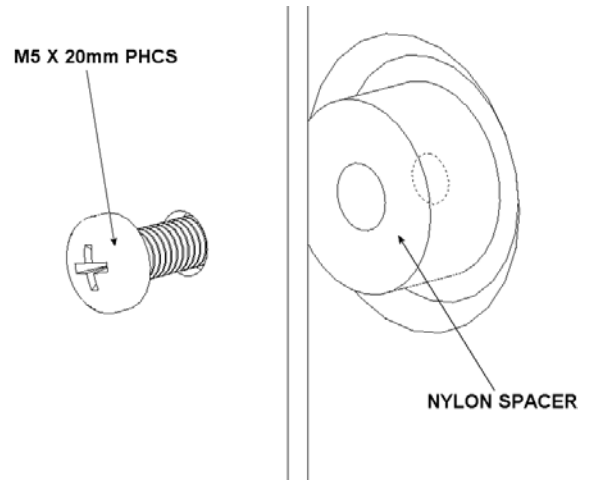


Figure 25. Spacer Installation for Group 8

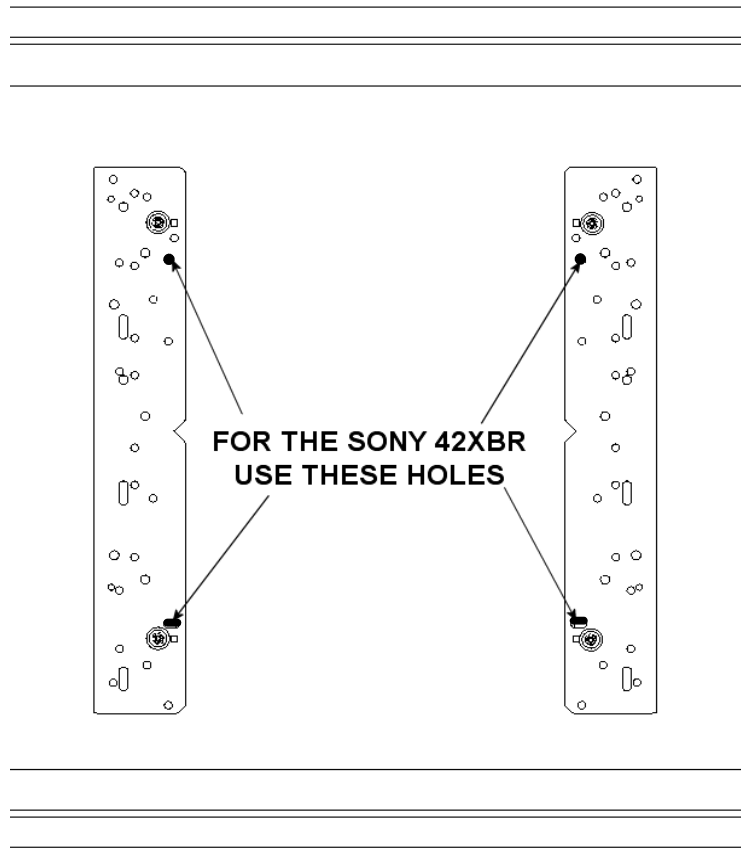


Figure 26. Bracket Attachment for 42" Display

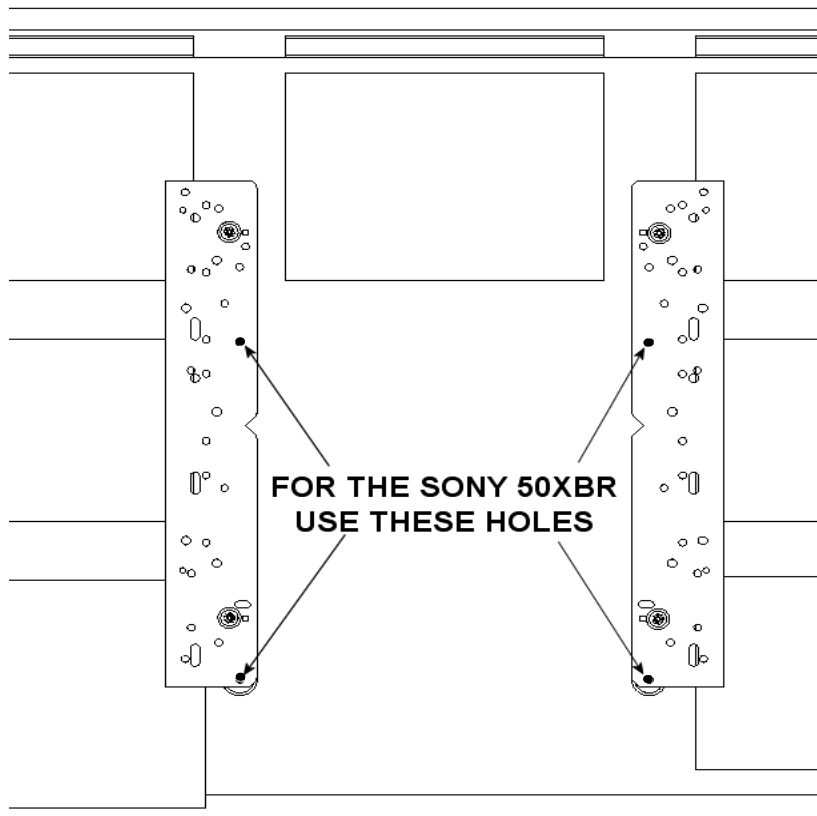


Figure 27. Bracket Attachment for 50" Display

Group 9 Installation Procedures

WARNING: You must use proper attaching hardware and installation procedures. Failure to use proper attaching hardware and installation procedures may result in equipment damage or serious personal injury.

Attach Interface Brackets

1. Identify and select the parts bags labeled D and E.
2. Remove the Nylon spacers from the parts bag labeled D.
3. Place the Nylon spacers over the four mounting holes on your Large Flat Panel display (see Figure 28).
4. Place the interface brackets over the Nylon spacers (see Figure 28 and Figure 29).
5. Select the parts bag labeled E.

CAUTION: Overtightening mounting screws may damage your Large Flat Panel display.

6. Using the hardware from the parts bag labeled E, attach the interface brackets to your Large Flat Panel display (Figure 28 and Figure 29). Do not overtighten the mounting screws.

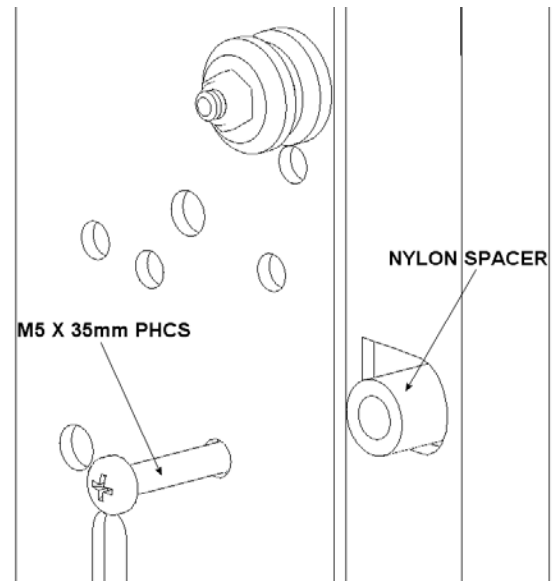


Figure 28. Spacer Installation for Group 9

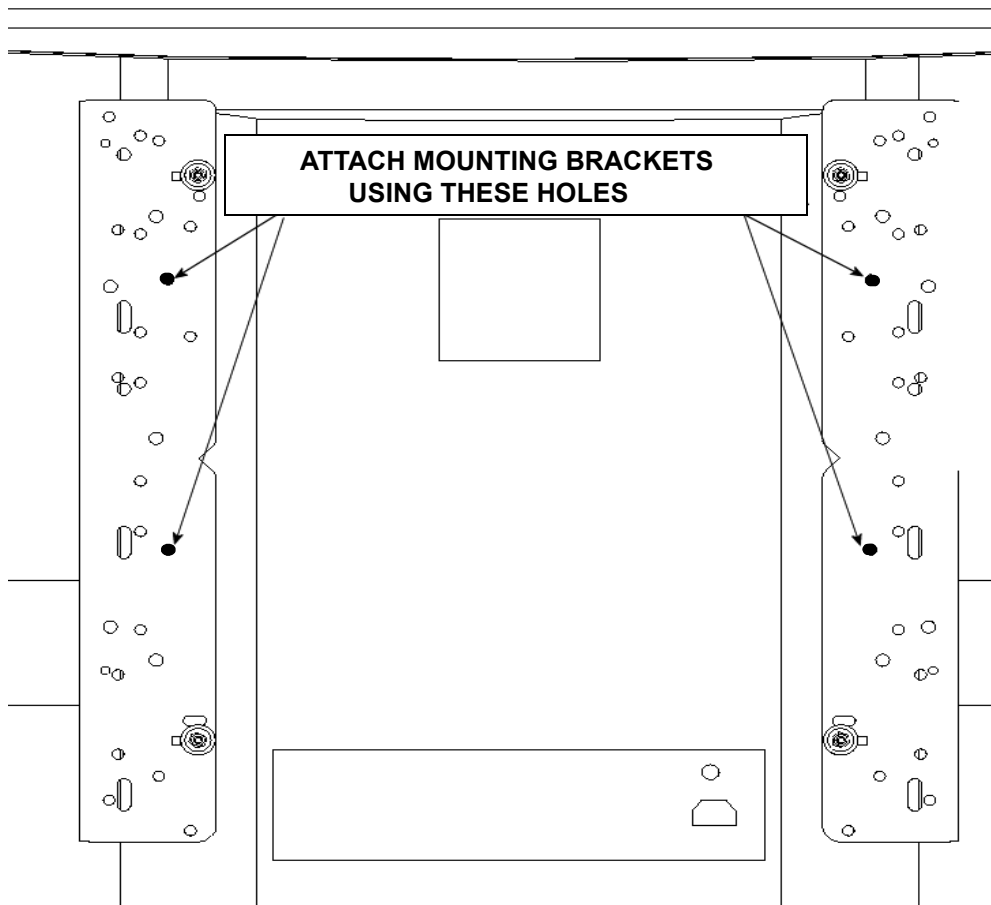


Figure 29. Bracket Attachment for Group 9

Group 10 Installation Procedures

Remove Sony Mounting Buttons

1. Using a Phillips screwdriver, remove the four mounting buttons attached to the back of your Large Flat Panel display (see Figure 30).
2. Retain or discard the four mounting buttons and attaching hardware at your discretion.

WARNING: You must use proper attaching hardware and installation procedures. Failure to use proper attaching hardware and installation procedures may result in equipment damage or serious personal injury.

Attach Interface Brackets

1. Identify and select the parts bags labeled B and H.
2. Remove the Nylon spacers from the parts bag labeled B.
3. Place the four Nylon spacers over the mounting holes on your Large Flat Panel display (see Figure 31).
4. Place the interface brackets over the Nylon spacers (see Figure 31 and Figure 32).
5. Select the parts bags labeled H.

CAUTION: Overtightening mounting screws may damage your Large Flat Panel display.

6. Using the hardware in the parts bag labeled F, secure the interface brackets to your Large Flat Panel display (see Figure 31 and Figure 32). Do not overtighten the mounting screws.

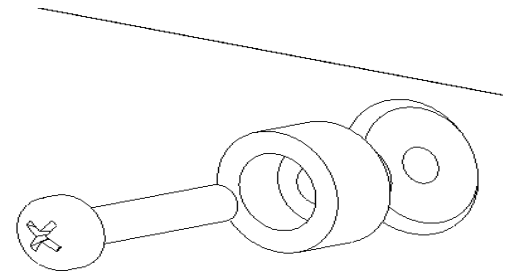


Figure 30. Remove Sony Mounting Buttons

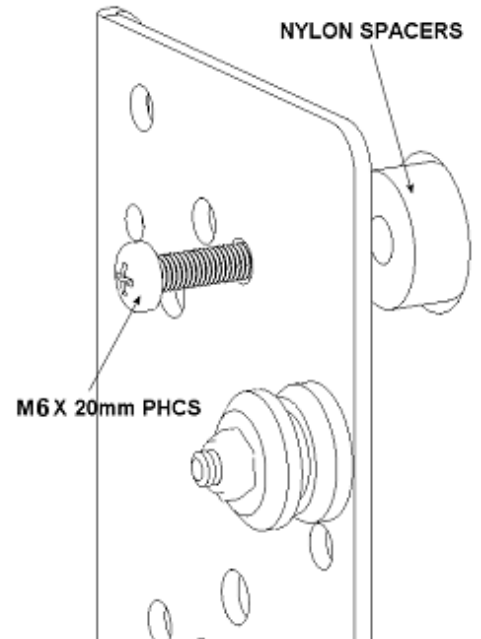


Figure 31. Spacer Installation for Group 10

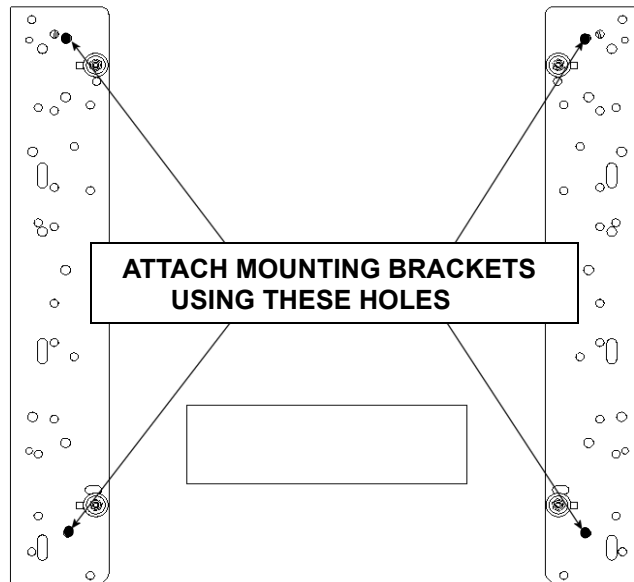


Figure 32. Bracket Attachment for Group 10

Group 11 Installation Procedures

WARNING: You must use proper attaching hardware and installation procedures. Failure to use proper attaching hardware and installation procedures may result in equipment damage or serious personal injury.

Attach Interface Brackets

1. Identify and the select parts bags labeled B and F.
2. Remove the Nylon spacers from the parts bag labeled B.
3. Place the Nylon spacers over the 12 mounting holes on your display (see Figure 33).
4. Place the interface brackets over the Nylon spacers (see Figure 34 and Figure 35).
5. Select the parts bag labeled F.

CAUTION: Overtightening mounting screws may damage your Large Flat Panel display.

5. Using the hardware from the parts bag labeled F, attach the interface brackets to your Large Flat Panel display (see Figure 34 and Figure 35). Do not overtighten the mounting screws.

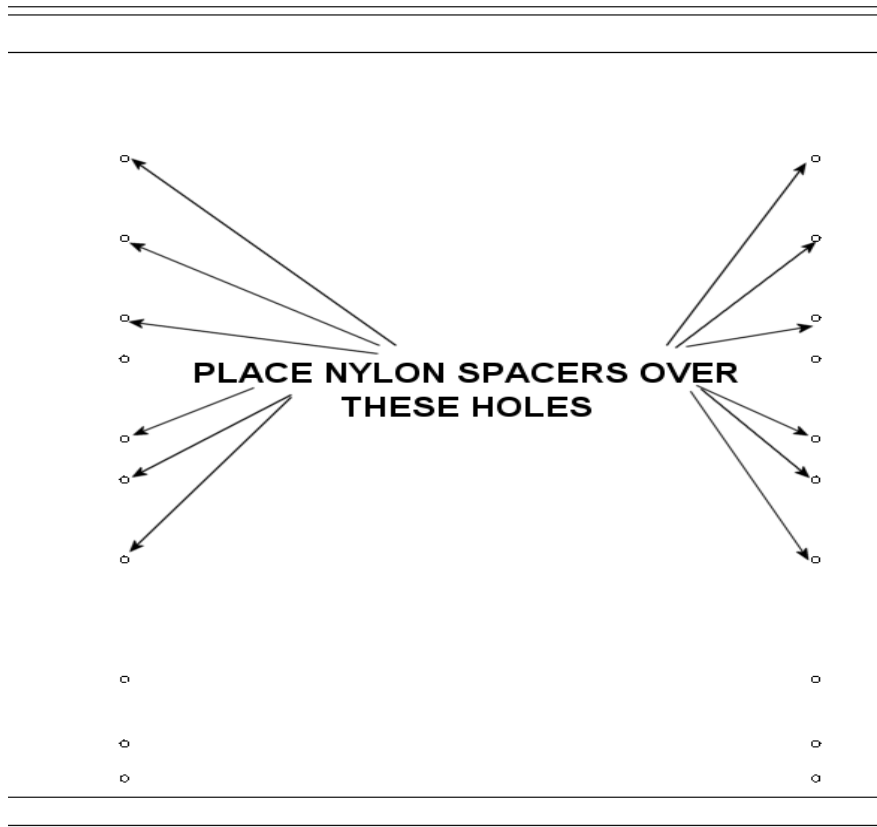


Figure 33. Spacer Location for Group 11

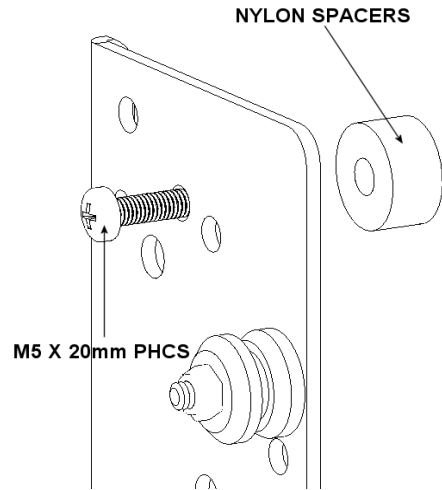


Figure 34. Spacer Installation for Group 11

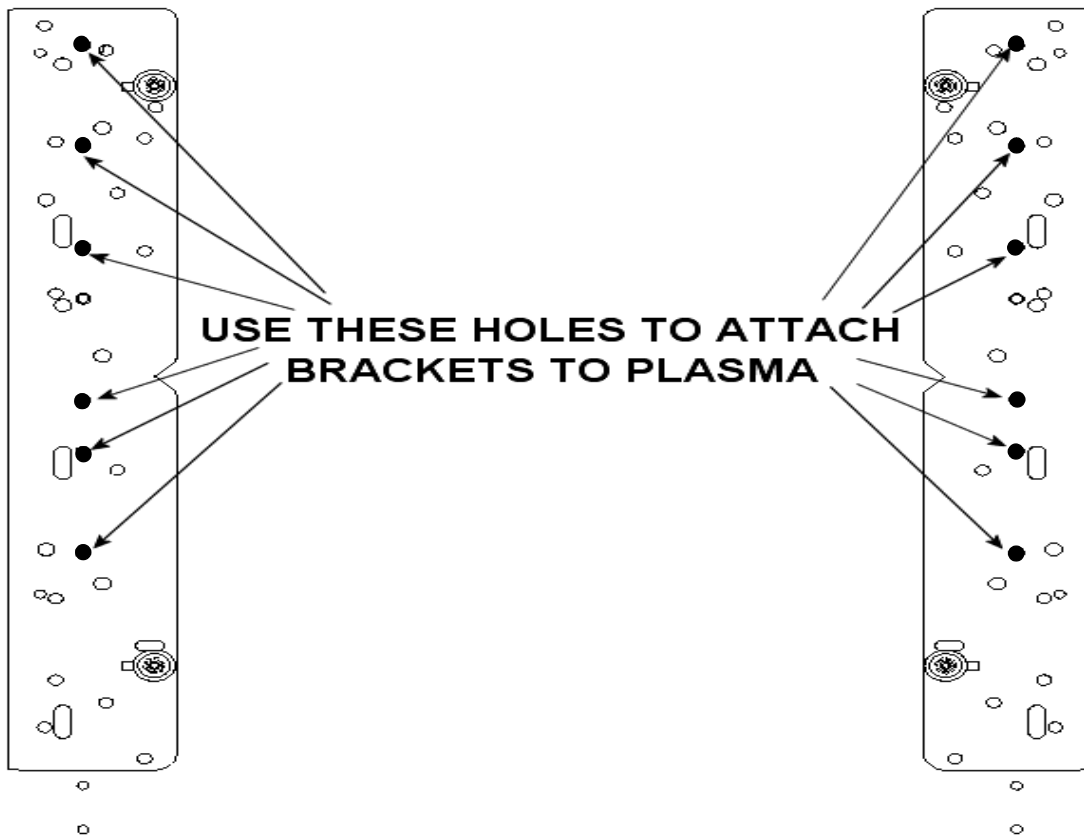


Figure 35. Bracket Attachment for Group 11