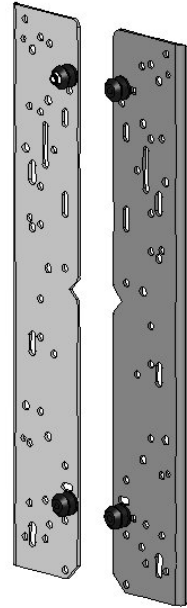

INSTRUCTION MANUAL

PSB-1401 Universal Flat Panel Display Wall Mount Brackets

The Model PSB-1401 is a versatile mounting solution for a variety of Large Flat Panel displays for business, home theater and commercial applications. Display mounting is made simple, safe, and secure using Chief's exclusive Q-latch™ Mounting System.



BEFORE YOU BEGIN

- **CAUTION:** To prevent damage to the mount, which could affect or void the Factory warranty, thoroughly study all instructions and illustrations before you begin to install the mount brackets. Pay particular attention to the “Important Warnings and Cautions” on Page 2.
- If you have any questions about this installation, contact Chief Manufacturing at 1-800-582-6480 or 952-582-6480.



IMPORTANT WARNINGS and CAUTIONS!

WARNING: A **WARNING** alerts you to the possibility of serious injury or death if you do not follow the instructions.

CAUTION: A **CAUTION** alerts you to the possibility of damage or destruction of equipment if you do not follow the corresponding instructions.

- **WARNING:** **Improper installation can result in serious personal injury! Make sure that the mounting surface structural members can support a redundant weight factor *five times* the total weight of the equipment: if not, reinforce the mounting surface structural members before installing the mount.**
- **WARNING:** **Failure to use proper attaching hardware and installation procedures may result in equipment damage or serious personal injury.**
- **WARNING:** **Be aware of the potential for personal injury or damage to the unit if it is not adequately mounted.**
- **WARNING:** **The installer is responsible for verifying that the mounting surface structural members to which the mount is anchored will safely support the combined load of all attached components or other equipment.**
- **WARNING:** **The combined weight of the display panel must not exceed 150 lbs. (68.04 kg), the maximum load capacity of the mount.**
- **CAUTION:** Check the unit for shipping damage before you begin the installation.
- **CAUTION:** Overtightening mounting screws may damage your Large Flat Panel display.

TOOLS REQUIRED FOR INSTALLATION

- Phillips screwdrivers, No. 1 and No. 2
- 3/8" Wrench
- Allen wrench set

NOTE: Other tools may be required depending on the method of installation.

CONTENTS

INSPECT THE BRACKETS AND ATTACHING HARDWARE BEFORE INSTALLING	4
PARTS	4
SELECT DISPLAY MODEL AND DETERMINE PARTS	5
DETERMINE MOUNTING BRACKET HOLE PATTERN	6
Groups 1 Through 11 Hole Pattern	6
Groups 12 Through 16 Hole Pattern	7
DETERMINE BRACKET INSTALLATION PROCEDURES.....	8
Group 1 Installation Procedures	8
Group 2 Installation Procedures	9
Group 3 Installation Procedures	10
Group 4 Installation Procedures	11
Group 5 Installation Procedures	12
Group 6 Installation Procedures	13
Group 7 Installation Procedures	14
Group 8 Installation Procedures	15
Group 9 Installation Procedures	16
Group 10 Installation Procedures	17
Group 11 Installation Procedures	18
Group 12 Installation Procedures	19
Group 13 Installation Procedures	20
Group 14 Installation Procedures	21
Group 15 Installation Procedures	22
Group 16 Installation Procedures	23

INSPECT THE BRACKETS AND ATTACHING HARDWARE BEFORE INSTALLING

1. Carefully inspect the interface brackets (see Figure 1) for shipping damage.
2. If any damage is apparent, call your carrier claims agent and do not continue with the installation until the carrier has reviewed the damage.

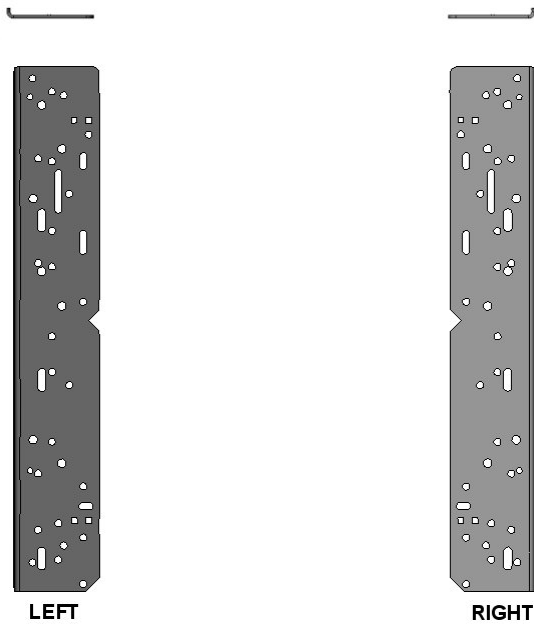


Figure 1. Brackets

PARTS

1. Read all assembly instructions before starting assembly.
2. Refer to Table 1 on page 4 and carefully inspect all parts bags to ensure all components are contained in each bag. If any components are missing, contact Chief Manufacturing at 1-800-582-6480 or 952-582-6480

Table 1: Parts

Item	Description	Qty.
Bracket	Left	1
Bracket	Right	1
Parts Bag A	10-24 x 7/8" Button Head Cap Screw	4
	10-24 Ny-Lock Nut	4
	Mounting Button	4
	1/8" Allen Key	1
Parts Bag B	Nylon Spacer .75" OD x .26" ID x .375"	12
Parts Bag C	M4 x 30mm Phillips Head Cap Screw	4
Parts Bag D	Nylon Spacer .50" OD x .285" ID x .625"	4
Parts Bag E	M5 x 35mm Phillips Head Cap Screw	4
Parts Bag F	M5 x 20mm Phillips Head Cap Screw	4
Parts Bag G	M5 x 25mm Phillips Head Cap Screw	6
Parts Bag H	M6 x 20mm Phillips Head Cap Screw	6
Parts Bag J	1/4" Steel Washer	6

SELECT DISPLAY MODEL AND DETERMINE PARTS

The interface brackets are designed to fit a wide variety of brand names and model numbers.

To select the proper hardware and assembly procedures for your specific Large Flat Panel display model, do the following:

- Using Table 2 on page 5, locate the model number of your Large Flat Panel display.
- Record the group number and parts bags required for your Large Flat Panel display model.

NOTE: Not all hardware will be used for every installation. Do not discard extra hardware until installation is complete.

- Using the information recorded in Step 2, proceed to “DETERMINE MOUNTING BRACKET HOLE PAT-TERN” on page 6.

Table 2: Flat Panel Display Model Numbers

Group No.	Brand Name	Model Number	Parts Bag
1	Sony	PFM 32 Series	A, D, G
2	Sony	KZ-42TS1, KE-42TS2	A, C, G
3	Dukane	P37, P42	A, B, H, J
	Hitachi	CMP307XU, CMP401XU, CMP402HDU, CMP402HDE, CMP4102HDU, CMP4120HDU, CMP4121HDU, CMP4220HDU, 42HDT20, 42PD3000, 42PMA400E, 42HDX60, 42HDX61, 42HDX70, 42PD5000, 42PD51000, 42PD5300	
	Marantz	PD-4298HD	
4	Hitachi	32HDT20, 32HDT50, 32HDT55, 32PD3000, 32HD60, 32PD5000	A, B, H
5	Monovision	PD-3231	A, B, H
6	Sanyo	PDP-32H1A	A, D, G
7	Sony	PDM-5010, PFM 50 Series, KE-50MK1, FWD-32LX1	A, B, H
8	Sony	42" and 50" XBR Series, PDM-4200, PDM-4210, PDM-5000, PDM-5010, KDE-42BR950, KDE-50XBR950, KDE-55XBR950, KDL-42XBR950, KE42MR1, KE50MR1	A, B, F
	Monovision	PD-3231	
9	Panasonic	TC-32, TC-32LX20	A, D, C
10	Sony	KLV-30	A, B, F
11	Sony	32XBR Series	A, D, E
12	Sony	KZ-32TS1, KE-32TS2U	A, B, H
13	Sony	PFM 42 Series	A, B, F
14	Eiki	PLD-42XU	A, B, F
	Sanyo 42	PDP-42H1A, PDP-42H1W	
15	Sony	KE-37XS910	A, B, F
16	Sony	KE-42X5910, KE50X5910, KE50XS910, KE42MX5A1	A, B, F

DETERMINE MOUNTING BRACKET HOLE PATTERN

Each interface bracket has 4 square holes for attaching mounting buttons (See Figure 2). The square holes in the brackets are arranged in a 14” vertical spacing pattern.

When the proper hole pattern is used, the mounting buttons form a 14” square (horizontal and vertical) pattern when installed on your Large Flat Panel display.

The hole pattern for the interface brackets are divided into two group sets:

- “Groups 1 Through 11 Hole Pattern” on page 6
- “Groups 12 Through 16 Hole Pattern” on page 7

Select the appropriate group for the instructions that explain how to attach the mounting buttons in the proper square holes for your specific Flat Panel Display model.

Groups 1 Through 11 Hole Pattern

WARNING: Failure to use proper attaching hardware and installation procedures may result in equipment damage or serious personal injury.

Item	Description	Qty.
Bracket	Left	1
Bracket	Right	1
Parts Bag A	10-24 x 7/8” Button Head Cap Screw	4
	10-24 Ny-Lock Nut	4
	Mounting Button	4
	1/8” Allen Key	1

1. Lay the brackets out with the bent lip of each interface bracket down (see Figure 2).
2. Open parts bag A.
3. Using the mounting buttons and hardware in parts bag A, attach the mounting buttons in the square holes closest to the middle (inside) of each interface bracket (see Figure 2 and Figure 3).
4. Using the group number you recorded for your Large Flat Panel display model, proceed to the applicable page in this manual and follow the instructions for your Flat Panel Display model.

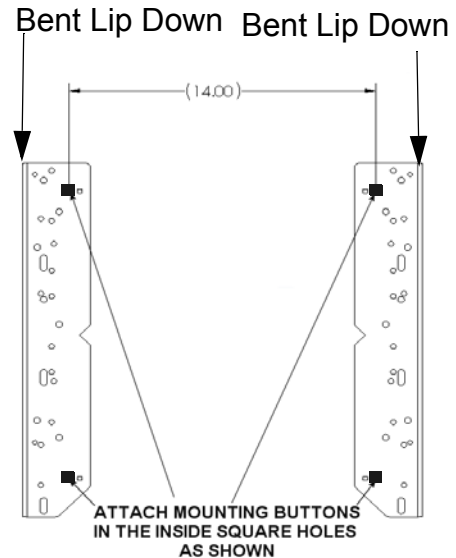


Figure 2. Brackets for Groups 1-11 with Bent Lip Down

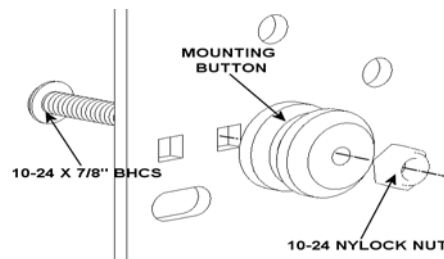


Figure 3. Button Installation for Groups 1-11

Groups 12 Through 16 Hole Pattern

WARNING: Failure to use proper attaching hardware and installation procedures may result in equipment damage or serious personal injury.

Item	Description	Qty.
Bracket	Left	1
Bracket	Right	1
Parts Bag A	10-24 x 7/8" Button Head Cap Screw	4
	10-24 Ny-Lock Nut	4
	Mounting Button	4
	1/8" Allen Key	1

1. Lay the interface brackets out with the bent lip of each interface bracket down (see Figure 4).
2. Open the parts bag labeled A.
3. Using the mounting buttons and hardware in the parts bag labeled A, attach the mounting buttons in the square holes closest to the outer edge (outside) of the interface bracket (see Figure 4 and Figure 5).
4. Using the group number you recorded for your Large Flat Panel display model, proceed to the applicable page in this manual and follow the instructions for your Flat Panel Display model.

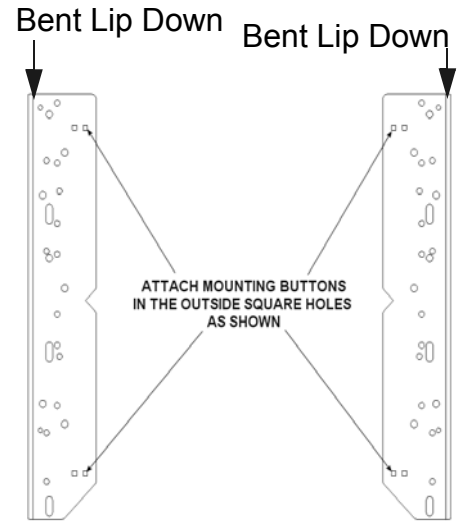


Figure 4. Brackets for Groups 12-16 with Bent Lip Down

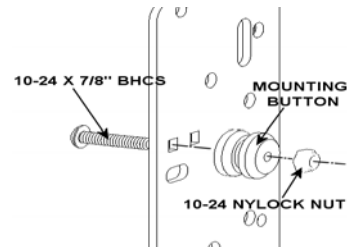


Figure 5. Button Installation for Groups 12-16

DETERMINE BRACKET INSTALLATION PROCEDURES

Group 1 Installation Procedures

Remove Mounting Buttons

1. Using a Phillips screwdriver, remove the four mounting buttons attached to the back of your Large Flat Panel display (see Figure 6).
2. Retain or discard the four mounting buttons and attaching hardware at your discretion.

WARNING: Failure to use proper attaching hardware and installation procedures may result in equipment damage or serious personal injury.

Item	Description	Qty.
Bracket	Left	1
Bracket	Right	1
Parts Bag D	Nylon Spacer .50" OD x .285" ID x .625"	4
Parts Bag G	M5 x 25mm Phillips Head Cap Screw	6

Attach Interface Brackets

1. Identify parts bags D and G.
2. Remove Nylon spacers from parts bag D.
3. Place the Nylon spacers over the mounting holes on your Large Flat Panel display (see Figure 7).
4. Place the interface brackets over the Nylon spacers (see Figure 7 and Figure 8).
5. Select parts bag G.

CAUTION: Overtightening mounting screws may damage your Large Flat Panel display.

6. Using the hardware in parts bag G, attach the interface bracket to your Large Flat Panel display using the holes that line up with your Large Flat Panel display mounting holes (see Figure 7 and Figure 8). Do not overtighten the mounting screws.

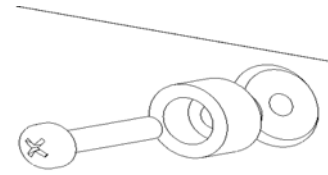


Figure 6. Remove Sony Mounting Buttons

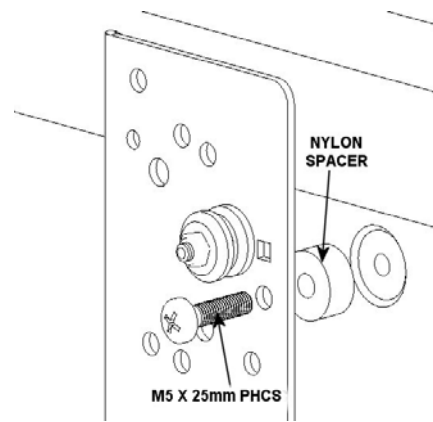


Figure 7. Spacer Installation for Group 1

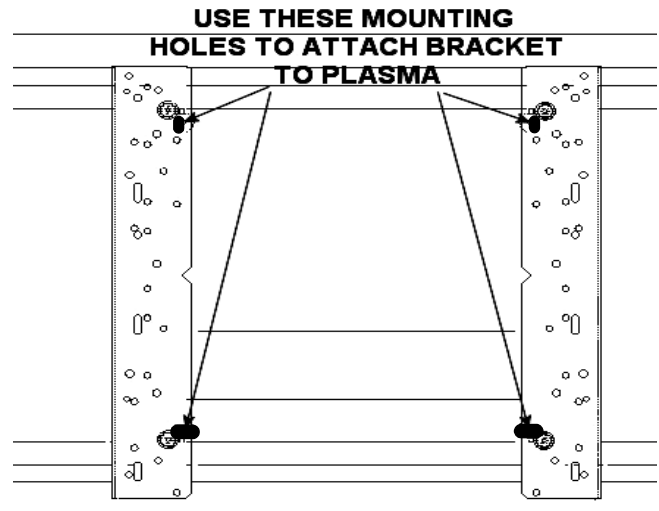


Figure 8. Bracket Attachment for Group 1

Group 2 Installation Procedures

WARNING: Failure to use proper attaching hardware and installation procedures may result in equipment damage or serious personal injury.

Item	Description	Qty.
Bracket	Left	1
Bracket	Right	1
Parts Bag C	M4 x 30mm Phillips Head Cap Screw	4
Parts Bag D	Nylon Spacer .50" OD x .285" ID x .625"	4

Attach Interface Brackets

1. Identify parts bags C and D.
2. Remove the Nylon spacers from parts bag D.
3. Place the Nylon spacers over the four mounting holes on your Large Flat Panel display (see Figure 9).
4. Place the interface brackets over the Nylon spacers (see Figure 9 and Figure 10).
5. Select parts bag C.

CAUTION: Overtightening mounting screws may damage your Large Flat Panel display.

6. Using the hardware in parts bag C, attach the interface bracket to the display using the holes that line up with your Large Flat Panel display mounting holes (see Figure 9 and Figure 10). Do not overtighten the mounting screws.

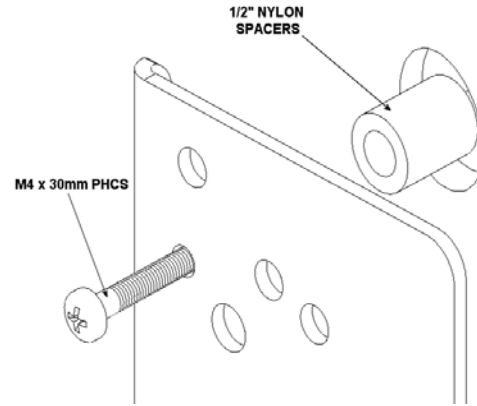


Figure 9. Spacer Installation for Group 2

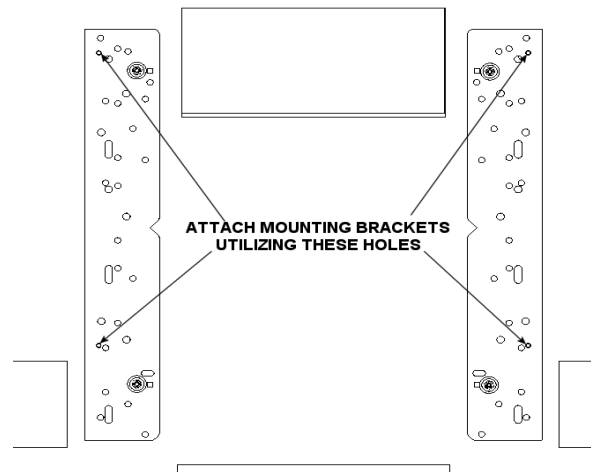


Figure 10. Bracket Attachment for Group 2

Group 3 Installation Procedures

WARNING: Failure to use proper attaching hardware and installation procedures may result in equipment damage or serious personal injury.

Item	Description	Qty.
Bracket	Left	1
Bracket	Right	1
Parts Bag B	Nylon Spacer .75" OD x .26" ID x .375"	12
Parts Bag H	M6 x 20mm Phillips Head Cap Screw	6
Parts Bag J	1/4" Steel Washer	6

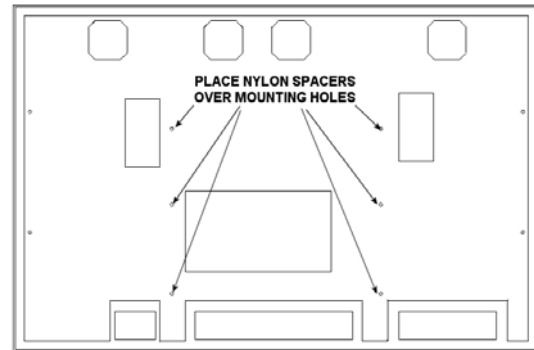


Figure 11. Spacer Location for Group 3

Attach Interface Brackets

1. Identify parts bags B, H, and J.
2. Remove the Nylon spacers from the parts bag labeled B.
3. Place the Nylon spacers over the six mounting holes on your Large Flat Panel display (see Figure 11).
4. Place the interface brackets over the Nylon spacers (see Figure 12 and Figure 13).
5. Select parts bags H and J.

CAUTION: Overtightening mounting screws may damage your Large Flat Panel display.

6. Using the hardware in parts bags H and J, place one steel flat washer over the interface bracket (see Figure 12 and Figure 13) and secure the interface brackets to your Large Flat Panel display using the M6x20mm screws. Do not overtighten the mounting screws.

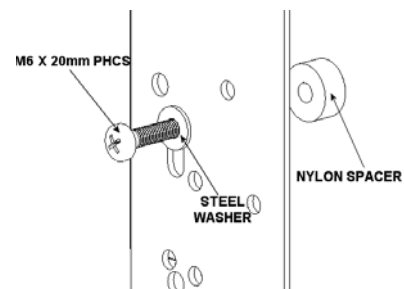


Figure 12. Spacer Installation for Group 3

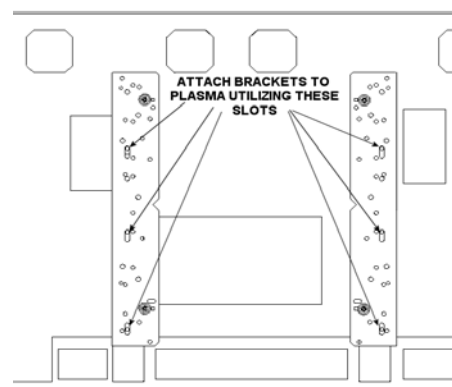


Figure 13. Bracket Attachment for Group 3

Group 4 Installation Procedures

WARNING: Failure to use proper attaching hardware and installation procedures may result in equipment damage or serious personal injury.

Item	Description	Qty.
Bracket	Left	1
Bracket	Right	1
Parts Bag B	Nylon Spacer .75" OD x .26" ID x .375"	12
Parts Bag H	M6 x 20mm Phillips Head Cap Screw	6

Attach Interface Brackets

1. Identify parts bags B and H.
2. Remove the Nylon spacers from parts bag B.
3. Place the Nylon spacers over the six mounting holes on your Large Flat Panel display (see Figure 14).
4. Place the interface brackets over the Nylon spacers (see Figure 15).
5. Select parts bag H.

CAUTION: Overtightening mounting screws may damage your Large Flat Panel display.

6. Using the M6x20mm screws in parts bag H, attach the interface brackets to your Large Flat Panel display. Do not overtighten the mounting screws.

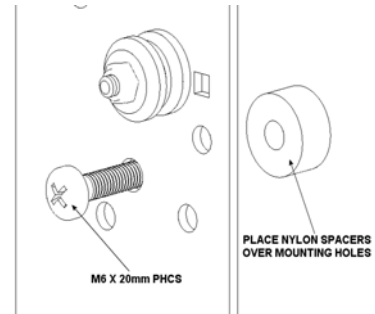


Figure 14. Spacer Installation for Group 4

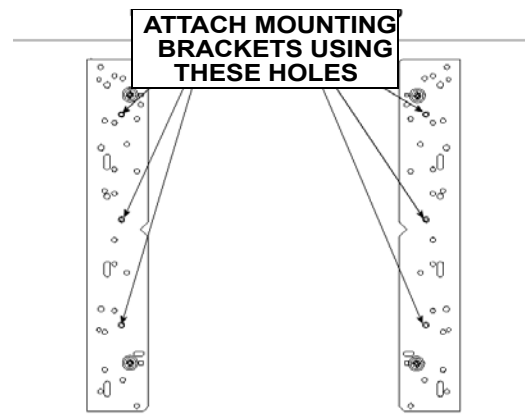


Figure 15. Bracket Attachment for Group 4

Group 5 Installation Procedures

WARNING: Failure to use proper attaching hardware and installation procedures may result in equipment damage or serious personal injury.

Item	Description	Qty.
Bracket	Left	1
Bracket	Right	1
Parts Bag B	Nylon Spacer .75" OD x .26" ID x .375"	12
Parts Bag H	M6 x 20mm Phillips Head Cap Screw	6

Attach Interface Brackets

1. Identify parts bags B and H.
2. Remove the Nylon spacers from parts bag B.
3. Place the four Nylon spacers over the mounting holes on your Large Flat Panel display (see Figure 16).
4. Place the interface brackets over the Nylon spacers (see Figure 17).
5. Select parts bag H.

CAUTION: Overtightening mounting screws may damage your Large Flat Panel display.

6. Using the M6x20mm screws in parts bag H, attach the interface brackets to your Large Flat Panel display. Do not overtighten the mounting screws.

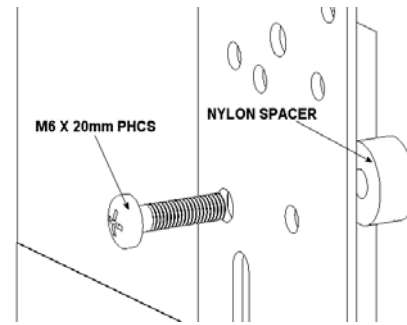


Figure 16. Spacer Installation for Group 5

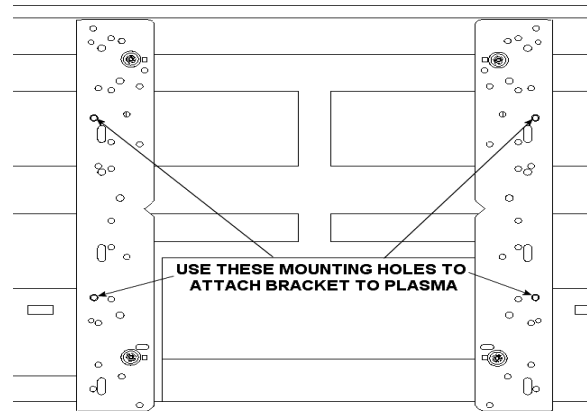


Figure 17. Bracket Attachment for Group 5

Group 6 Installation Procedures

WARNING: Failure to use proper attaching hardware and installation procedures may result in equipment damage or serious personal injury.

Item	Description	Qty.
Bracket	Left	1
Bracket	Right	1
Parts Bag C	M4 x 30mm Phillips Head Cap Screw	4
Parts Bag D	Nylon Spacer .50" OD x .285" ID x .625"	4
Parts Bag G	M5 x 25mm Phillips Head Cap Screw	6

Attach Interface Brackets

1. Identify and select parts bags D and G.
2. Remove the Nylon spacers from parts bag D.
3. Place the Nylon spacers over the six mounting holes on your Large Flat Panel display (see Figure 18).
4. Place the interface brackets over the Nylon spacers (see Figure 19 and Figure 20).
5. Select parts bag C.

CAUTION: Overtightening mounting screws may damage your Large Flat Panel display.

6. Using the M5x25mm screws in parts bag C, attach the interface brackets to your Large Flat Panel display (see Figure 19 and Figure 20). Do not overtighten the mounting screws.

PLACE NYLON SPACERS OVER THESE MOUNTING HOLES-BOTH SIDES

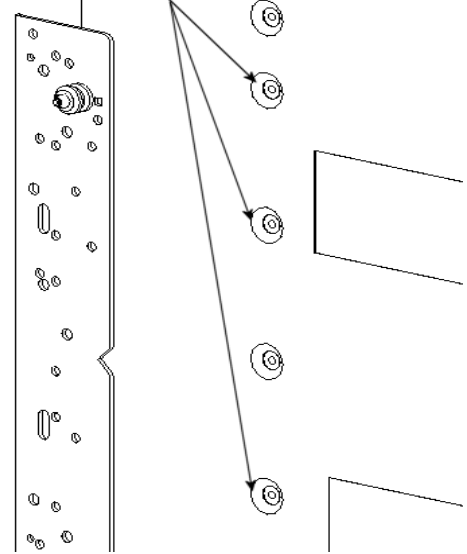


Figure 18. Spacer Location for Group 6

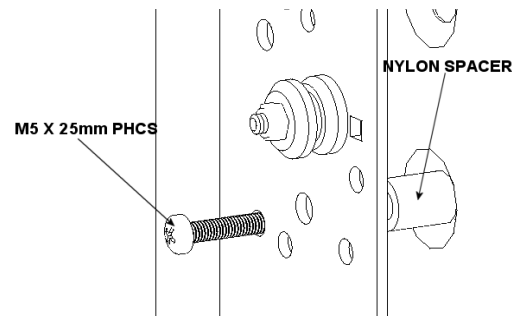


Figure 19. Spacer Installation for Group 6

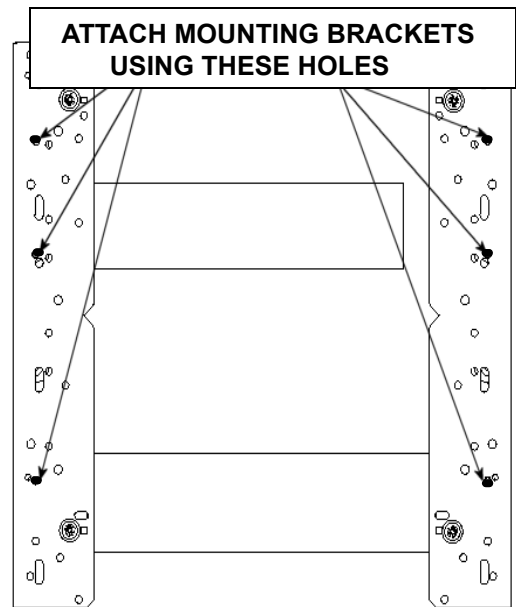


Figure 20. Bracket Attachment for Group 6

Group 7 Installation Procedures

WARNING: Failure to use proper attaching hardware and installation procedures may result in equipment damage or serious personal injury.

Item	Description	Qty.
Bracket	Left	1
Bracket	Right	1
Parts Bag B	Nylon Spacer .75" OD x .26" ID x .375"	12
Parts Bag H	M6 x 20mm Phillips Head Cap Screw	6

Remove Sony Mounting Buttons

- Using a Phillips screwdriver, remove the four mounting buttons attached to the back of your Large Flat Panel display (see Figure 21).
- Retain or discard the four mounting buttons and attaching hardware at your discretion.

Attach Interface Brackets

- Identify parts bags B and H.
- Remove the Nylon spacers from parts bag B.
- Place the four Nylon spacers over the mounting holes on your Large Flat Panel display (see Figure 22).
- Place the interface brackets over the Nylon spacers (see Figure 22 and Figure 23).
- Select parts bag H.

CAUTION: Overtightening mounting screws may damage your Large Flat Panel display.

- Using the hardware in parts bag H, secure the interface brackets to your Large Flat Panel display using the top hole and the bottom hole (see Figure 22 and Figure 23) in each interface bracket. Do not overtighten the mounting screws.

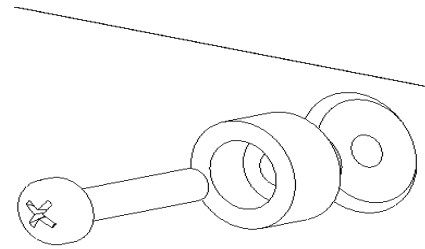


Figure 21. Remove Sony Mounting Buttons

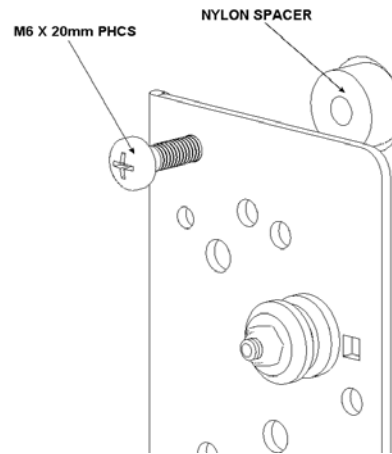


Figure 22. Spacer Installation for Group 7

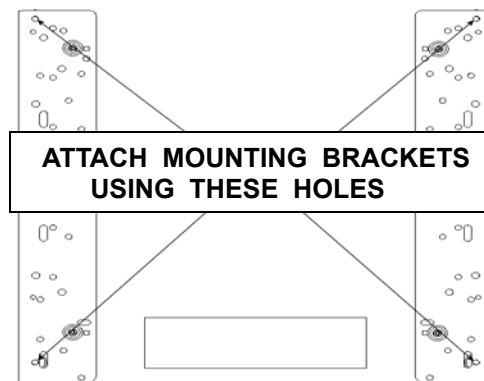


Figure 23. Bracket Attachment for Group 7

Group 8 Installation Procedures

Remove Sony Mounting Buttons

- Using a Phillips screwdriver, remove the four mounting buttons attached to the back of your Large Flat Panel display (see Figure 24).
- Retain or discard the four mounting buttons and attaching hardware at your discretion.

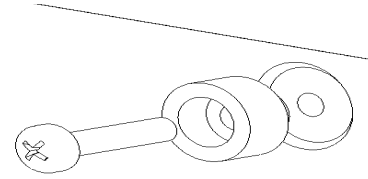


Figure 24. Remove Sony Mounting Buttons

Item	Description	Qty.
Bracket	Left	1
Bracket	Right	1
Parts Bag B	Nylon Spacer .75" OD x .26" ID x .375"	12
Parts Bag F	M5 x 20mm Phillips Head Cap Screw	4

WARNING: Failure to use proper attaching hardware and installation procedures may result in equipment damage or serious personal injury.

Attach Interface Brackets

- Identify parts bags B and F.
- Remove the Nylon spacers from parts bag B.
- Place the Nylon spacers over the four mounting holes on your Large Flat Panel display (see Figure 25).
- Place the interface brackets over the Nylon spacers for either the 42" (see Figure 26) or 50" (see Figure 27) Large Flat Panel display.
- Select parts bag F.

CAUTION: Overtightening mounting screws may damage your Large Flat Panel display.

- Using the hardware in parts bag F, secure the interface brackets to your Large Flat Panel display (see Figure 26 or Figure 27). Do not overtighten the mounting screws.

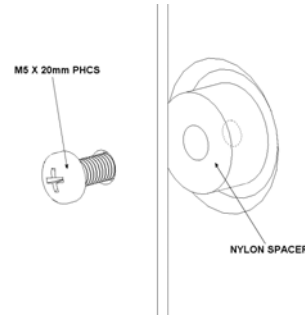


Figure 25. Spacer Installation for Group 8

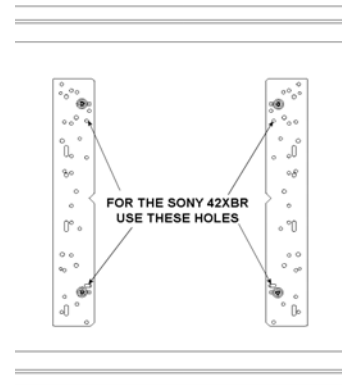


Figure 26. Bracket Attachment for 42" Display

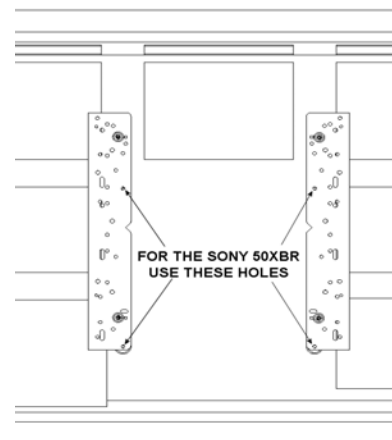


Figure 27. Bracket Attachment for 50" Display

Group 9 Installation Procedures

WARNING: Failure to use proper attaching hardware and installation procedures may result in equipment damage or serious personal injury.

Item	Description	Qty.
Bracket	Left	1
Bracket	Right	1
Parts Bag B	Nylon Spacer .75" OD x .26" ID x .375"	12
Parts Bag C	M4 x 30mm Phillips Head Cap Screw	4

Attach Interface Brackets

1. Identify parts bags B and C.
2. Remove the Nylon spacers from parts bag B.
3. Place two Nylon spacers over each of the four mounting holes on your Large Flat Panel display (see Figure 28).
4. Place the interface brackets over the Nylon spacers (see Figure 28 and Figure 29).
5. Select parts bag C.

CAUTION: Overtightening mounting screws may damage your Large Flat Panel display.

6. Using the hardware from parts bag C, attach the interface brackets to your Large Flat Panel display (Figure 28 and Figure 29). Do not overtighten the mounting screws.

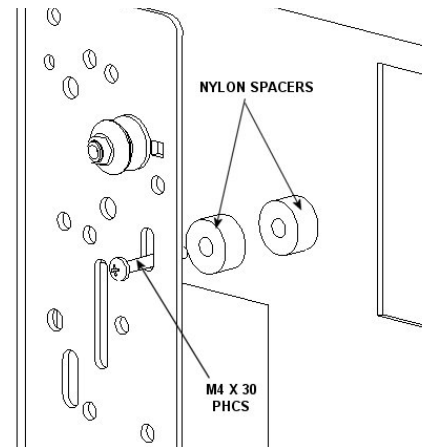


Figure 28. Spacer Installation for Group 9

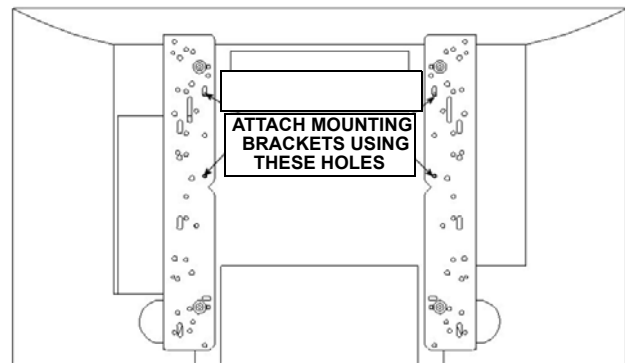


Figure 29. Bracket Attachment for Group 9

Group 10 Installation Procedures

WARNING: Failure to use proper attaching hardware and installation procedures may result in equipment damage or serious personal injury.

Item	Description	Qty.
Bracket	Left	1
Bracket	Right	1
Parts Bag B	Nylon Spacer .75" OD x .26" ID x .375"	12
Parts Bag F	M5 x 20mm Phillips Head Cap Screw	4

Attach Interface Brackets

1. Identify parts bags B and F.
2. Remove the Nylon spacers from parts bag B.
3. Place the four Nylon spacers over the mounting holes on your Large Flat Panel display (see Figure 30).
4. Place the interface brackets over the Nylon spacers (see Figure 30 and Figure 31).
5. Select parts bags F.

CAUTION: Overtightening mounting screws may damage your Large Flat Panel display.

6. Using the hardware in parts bag F, secure the interface brackets to your Large Flat Panel display (see Figure 30 and Figure 31). Do not overtighten the mounting screws.

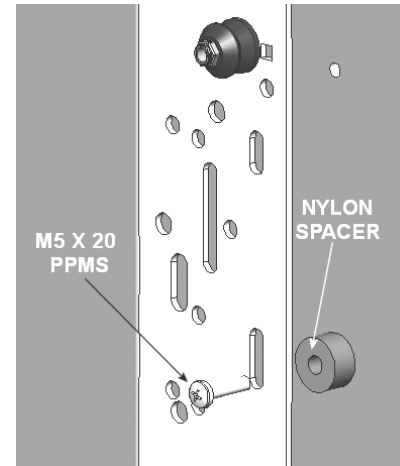


Figure 30. Spacer Installation for Group 10

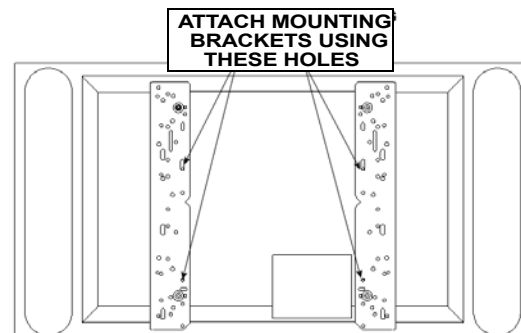


Figure 31. Bracket Attachment for Group 10

Group 11 Installation Procedures

WARNING: Failure to use proper attaching hardware and installation procedures may result in equipment damage or serious personal injury.

Item	Description	Qty.
Bracket	Left	1
Bracket	Right	1
Parts Bag B	Nylon Spacer .75" OD x .26" ID x .375"	12
Parts Bag F	M5 x 20mm Phillips Head Cap Screw	4

Attach Interface Brackets

1. Identify parts bags B and F.
2. Remove the Nylon spacers from parts bag B.
3. Place the four Nylon spacers over the mounting holes on your Large Flat Panel display (see Figure 32).
4. Place the interface brackets over the Nylon spacers (see Figure 32 and Figure 33).
5. Select parts bags F.

CAUTION: Overtightening mounting screws may damage your Large Flat Panel display.

6. Using the hardware in parts bag F, secure the interface brackets to your Large Flat Panel display (see Figure 32 and Figure 33). Do not overtighten the mounting screws.

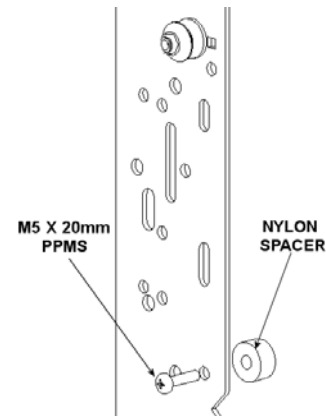


Figure 32. Spacer Installation for Group 11

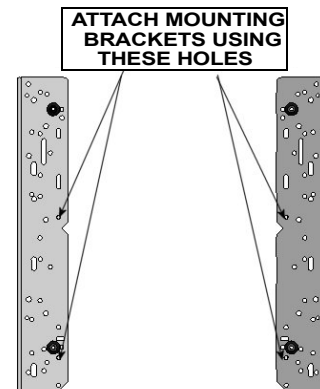


Figure 33. Spacer Location for Group 11

Group 12 Installation Procedures

WARNING: Failure to use proper attaching hardware and installation procedures may result in equipment damage or serious personal injury.

Attach Interface Brackets

1. Identify parts bags D and E.
2. Remove the Nylon spacers from parts bag D.
3. Place the Nylon spacers over the four mounting holes on your Large Flat Panel display (see Figure 34).
4. Place the interface brackets over the Nylon spacers (see Figure 34 and Figure 35).
5. Select parts bag E.

CAUTION: Overtightening mounting screws may damage your Large Flat Panel display.

6. Using the hardware from parts bag E, attach the interface brackets to your Large Flat Panel display (Figure 34 and Figure 35). Do not overtighten the mounting screws.

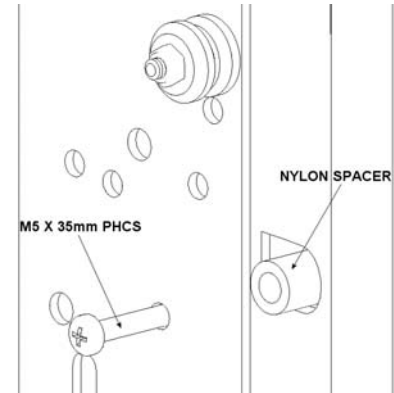


Figure 34. Spacer Installation for Group 12

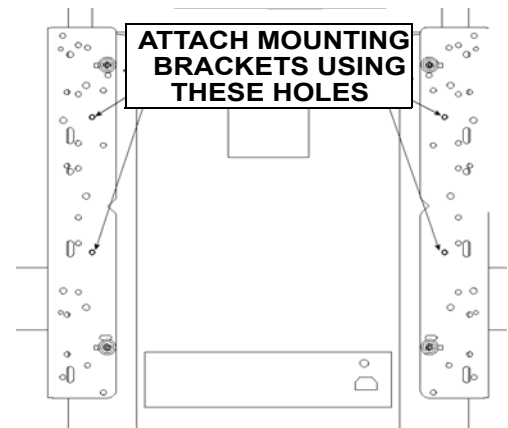


Figure 35. Spacer Location for Group 12

Group 13 Installation Procedures

WARNING: Failure to use proper attaching hardware and installation procedures may result in equipment damage or serious personal injury.

Item	Description	Qty.
Bracket	Left	1
Bracket	Right	1
Parts Bag B	Nylon Spacer .75" OD x .26" ID x .375"	12
Parts Bag F	M5 x 20mm Phillips Head Cap Screw	4
Parts Bag H	M6 x 20mm Phillips Head Cap Screw	6

Attach Interface Brackets

1. Identify parts bags B and H.
2. Remove the Nylon spacers from parts bag B.
3. Place the four Nylon spacers over the mounting holes on your Large Flat Panel display (see Figure 36).
4. Place the interface brackets over the Nylon spacers (see Figure 36 and Figure 37).

5. Select parts bags H.

CAUTION: Overtightening mounting screws may damage your Large Flat Panel display.

6. Using the hardware in parts bag F, secure the interface brackets to your Large Flat Panel display (see Figure 36 and Figure 37). Do not overtighten the mounting screws.

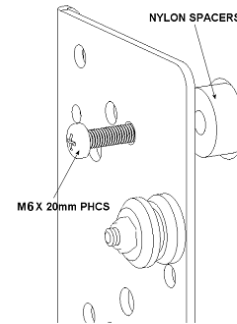


Figure 36. Spacer Installation for Group 13

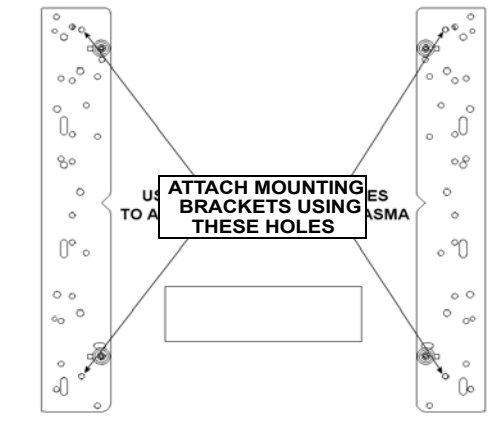


Figure 37. Spacer Location for Group 13

Group 14 Installation Procedures

WARNING: Failure to use proper attaching hardware and installation procedures may result in equipment damage or serious personal injury.

Item	Description	Qty.
Bracket	Left	1
Bracket	Right	1
Parts Bag B	Nylon Spacer .75" OD x .26" ID x .375"	12
Parts Bag F	M5 x 20mm Phillips Head Cap Screw	4

Attach Interface Brackets

1. Identify parts bags B and F.
2. Remove the Nylon spacers from parts bag B.
3. Place the Nylon spacers over the 12 mounting holes on your display (see Figure 38).
4. Place the interface brackets over the Nylon spacers (see Figure 39 and Figure 42).
5. Select parts bag F.

CAUTION: Overtightening mounting screws may damage your Large Flat Panel display.

6. Using the hardware from parts bag F, attach the interface brackets to your Large Flat Panel display (see Figure 39 and Figure 40). Do not overtighten the mounting screws.

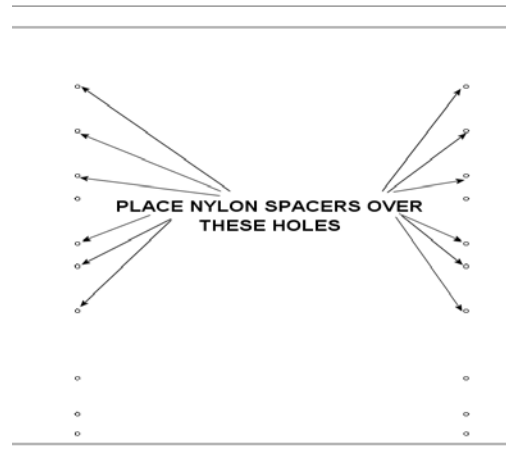


Figure 38. Spacer Location for Group 14

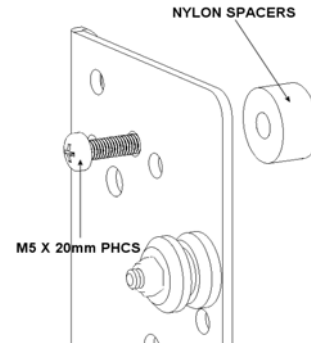


Figure 39. Spacer Installation for Group 14

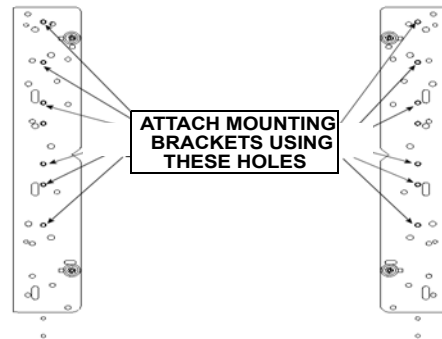


Figure 42. Bracket Attachment for Group 14

Group 15 Installation Procedures

WARNING: Failure to use proper attaching hardware and installation procedures may result in equipment damage or serious personal injury.

Item	Description	Qty.
Bracket	Left	1
Bracket	Right	1
Parts Bag B	Nylon Spacer .75" OD x .26" ID x .375"	12
Parts Bag F	M5 x 20mm Phillips Head Cap Screw	4

Attach Interface Brackets

1. Identify parts bags B and F.
2. Remove the Nylon spacers from parts bag B.
3. Place the Nylon spacers over the four mounting holes on your display (see Figure 41).
4. Place the interface brackets over the Nylon spacers (see Figure 42).
5. Select parts bag F.

CAUTION: Overtightening mounting screws may damage your Large Flat Panel display.

6. Using the hardware from parts bag F, attach the interface brackets to your Large Flat Panel display (see Figure 42). Do not overtighten the mounting screws.

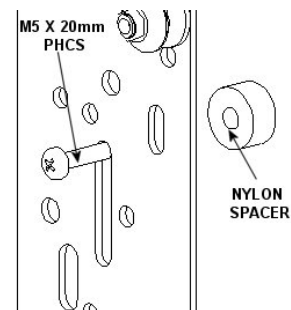


Figure 41. Spacer Installation for Group 15

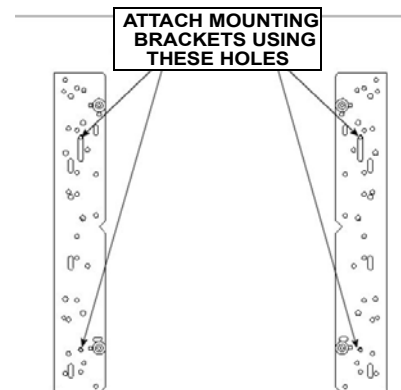


Figure 42. Bracket Attachment for Group 15

Group 16 Installation Procedures

WARNING: Failure to use proper attaching hardware and installation procedures may result in equipment damage or serious personal injury.

Item	Description	Qty.
Bracket	Left	1
Bracket	Right	1
Parts Bag B	Nylon Spacer .75" OD x .26" ID x .375"	12
Parts Bag F	M5 x 20mm Phillips Head Cap Screw	4

Attach Interface Brackets

1. Identify parts bags B and F.
2. Remove the Nylon spacers from parts bag B.
3. Place the Nylon spacers over the four mounting holes on your display (see Figure 45).
4. Place the interface brackets over the Nylon spacers (see Figure 46).
5. Select parts bag F.

CAUTION: Overtightening mounting screws may damage your Large Flat Panel display.

6. Using the hardware from parts bag F, attach the interface brackets to your Large Flat Panel display (see Figure 46). Do not overtighten the mounting screws.

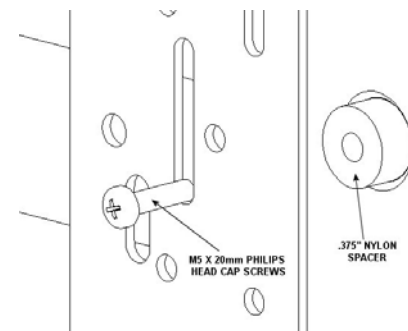


Figure 43. Spacer Installation for Group 16

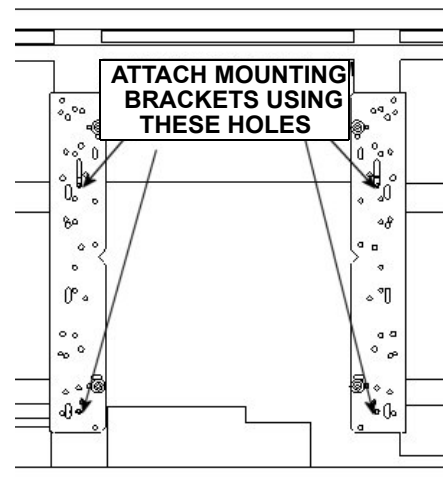


Figure 44. Bracket Attachment for Group 16

