

# INSTALLATION INSTRUCTIONS

## PSB-2022

### PLASMA DISPLAY MOUNTING BRACKET

Prior to assembly, unpack carton completely and verify contents.

If you are missing any of the following components, please contact Customer Service at 1-800/582-6480

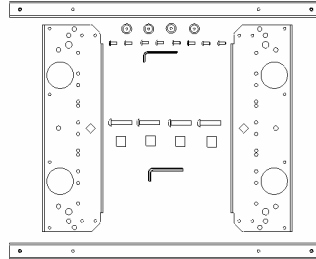


Figure 1

- |                                     |  |
|-------------------------------------|--|
| (2) Plasma Side Bracket             | (2) Plasma Top/Bottom Bracket              |
| (4) Mounting Button - Tapped        | (8) 10-24 x .5 Button Head Cap Screw       |
| (4) M8 x 40mm Button Head Cap Screw | (8) 18mm x 8.3mm x 20mm Black Nylon Spacer |
| (4) M8 x 60mm Button Head Cap Screw | (1) M5 Allen Key                           |
| (1) 1/8 Allen Key                   |  |

BEFORE PROCEEDING, READ INSTALLATION INSTRUCTIONS COMPLETELY

**CAUTION!** PLASMA DISPLAYS ARE EXTREMELY FRAGILE.

**WARNING!** ALL COMPONENTS MUST BE SECURELY FASTENED TO A STRUCTURAL MEMBER CAPABLE OF SUPPORTING 4 TIMES THE COMBINED WEIGHT OF ALL COMPONENTS PLUS THE EQUIPMENT BEING MOUNTED. IF IT CANNOT SUPPORT THIS WEIGHT, THE STRUCTURE MUST BE REINFORCED. THE MAXIMUM WEIGHT TO BE INSTALLED ON THE MOUNT IS 175 POUNDS (79.38 KG).

1. Using a 10-24 button head cap screw inserted from back side of bracket, secure mounting button, with chamfered hole of mounting button (larger surface) facing bracket, to top and bottom brackets (four places) (see Figure 2 & Figure 3).

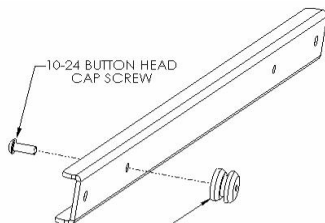


Figure 2

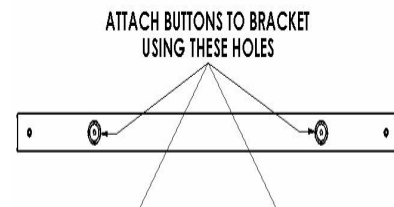


Figure 3



**CHIEF MANUFACTURING INC.**  
1-800-582-6480 952-894-6280 FAX 952-894-6918  
8401 EAGLE CREEK PKWY, STE. 700  
SAVAGE, MINNESOTA 55378 USA

8804-000154 RevC  
2006 Chief Manufacturing  
[www.chiefmfg.com](http://www.chiefmfg.com)  
05/06

2. Using four 10-24 button head cap screws, attach top and bottom to side brackets (see Figure 4 & Figure 5).
3. Place Nylon spacers over mounting holes on back of screen. Attach mounting brackets to display using the M8 screws (see Figure 6 & Figure 7). If a video board is attached to the back of the display, stack two black Nylon spacers and attach bracket using the M8 x 60mm screws.
4. With the aid of another person, lift your display up to the Chief Mount, aligning buttons of mounting brackets with slots in the Chief Mount.
5. Lower safety latch on the Chief Mount to secure your display, making sure latch is completely engaged.

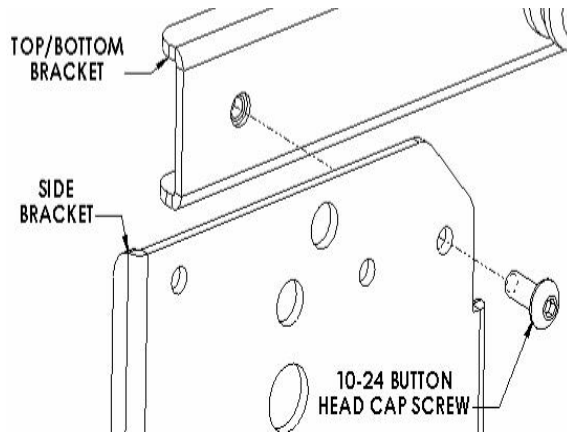


Figure 4

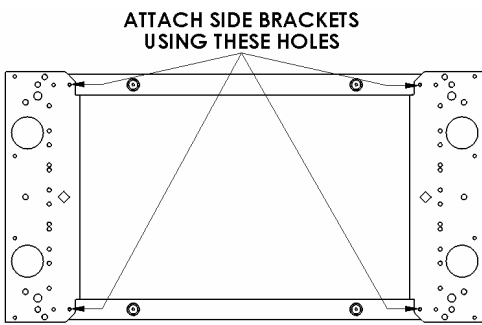


Figure 5

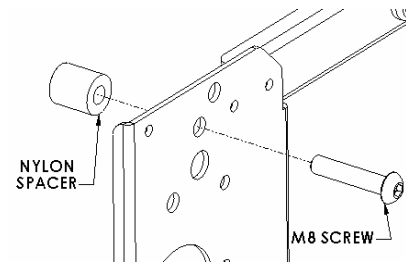


Figure 6

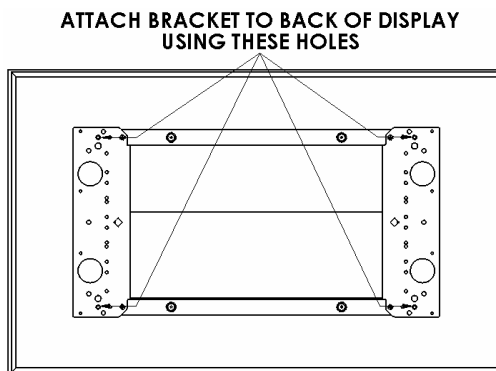


Figure 7

If video board is attached to back of display, stack two black nylon spacers and attach bracket using M8 x 60mm screws.