

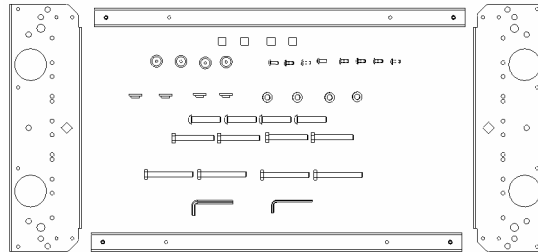
# INSTALLATION INSTRUCTIONS

## PSB-2023

### PLASMA DISPLAY MOUNTING BRACKET

Prior to assembly, unpack carton completely and verify contents.

If you are missing any of the following components, please contact Customer Service at 1-800/582-6480



- (2) Plasma Side Bracket
- (4) Mounting Button - Tapped
- (4) M8 x 45mm Button Head Cap Screw
- (4) M8 x 60mm Button Head Cap Screw
- (4) M8 Flat Washer
- (1) 13mm Hex Wrench
- (1) M5 Allen Key

Figure 1

- (2) Plasma Top/Bottom Bracket
- (8) 10-24 x .5 Button Head Cap Screw
- (8) Nylon Spacer
- (4) M8 x 70mm Hex Head Cap Screw
- (4) Nylon Shoulder Washer
- (1) 1/8 Allen Key

BEFORE PROCEEDING, READ INSTALLATION INSTRUCTIONS COMPLETELY

## CAUTION!

**PLASMA DISPLAYS ARE EXTREMELY FRAGILE.**

## WARNING!

**ALL COMPONENTS MUST BE SECURELY FASTENED TO A STRUCTURAL MEMBER CAPABLE OF SUPPORTING 4 TIMES THE COMBINED WEIGHT OF ALL COMPONENTS PLUS THE EQUIPMENT BEING MOUNTED. IF IT CANNOT SUPPORT THIS WEIGHT, THE STRUCTURE MUST BE REINFORCED.**

**THE MAXIMUM WEIGHT TO BE INSTALLED ON THE MOUNT IS 200 POUNDS (90.72 KG).**

1. Using a 10-24 button head cap screw inserted from back side of bracket, secure mounting button, with chamfered hole of mounting button (larger surface) facing bracket, to top and bottom brackets (four places) (see Figure 2 & Figure 3).
2. Using four 10-24 button head cap screws, attach top and bottom to side brackets (see Figure 4).

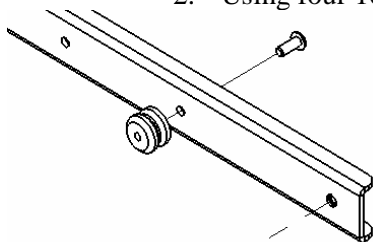


Figure 2

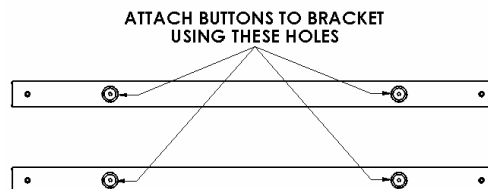


Figure 3

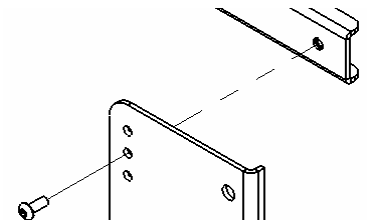


Figure 4



**CHIEF MANUFACTURING INC.**  
1-800-582-6480 952-894-6280 FAX 952-894-6918  
8401 EAGLE CREEK PKWY, STE. 700  
SAVAGE, MINNESOTA 55378 USA

8804-000155 RevD  
© 2007 Chief Manufacturing  
[www.chiefmfg.com](http://www.chiefmfg.com)  
06/07

3. Place Nylon spacers over mounting holes on back of screen. Attach mounting brackets to display using the M8 screws, shoulder and steel washers (see Figure 5 & Figure 6). If needed stack spacers and use the screw with the length that best fits the screen.
4. With the aid of another person, lift your display up to the Chief Mount, aligning buttons of mounting brackets with slots in the Chief Mount.
5. Lower safety latch on the Chief Mount to secure your display, making sure latch is completely engaged.

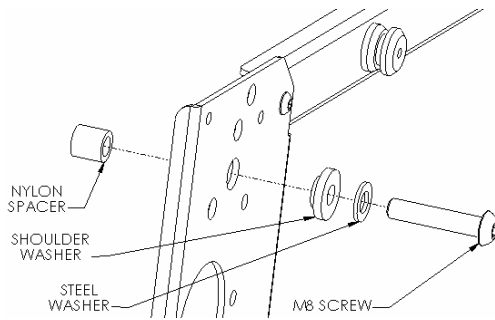


Figure 5

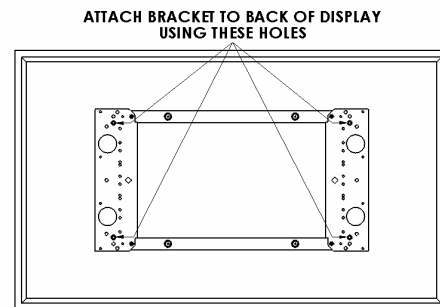


Figure 6