



INSTALLATION INSTRUCTIONS

PSB-2042

PLASMA DISPLAY MOUNTING BRACKET

Prior to assembly, unpack carton completely and verify contents.

If you are missing any of the following components, please contact Customer Service at 1-800/582-6480

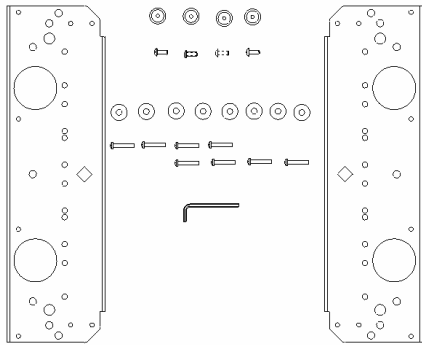


Figure 1

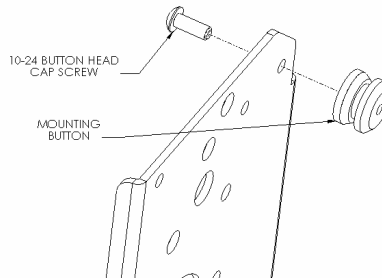


Figure 2

ATTACH MOUNTING BUTTONS
USING THESE HOLES

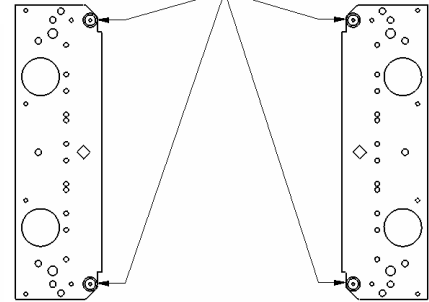


Figure 3

- | | |
|---------------------------------------|--|
| (2) Plasma Side Bracket | (8) .75 x .266 x .313 Nylon Spacer |
| (4) Mounting Buttons-Tapped 10-24 | (4) 10-24 x 1/2" Button Head Cap Screw |
| (8) M4 X 25mm Phillips Head Cap Screw | (1) 1/8" Allen Key |
- BEFORE PROCEEDING, READ INSTALLATION INSTRUCTIONS COMPLETELY

CAUTION! PLASMA DISPLAYS ARE EXTREMELY FRAGILE.

- Using a 10-24 button head cap screw inserted from back side of bracket through holes, secure mounting button, with chamfered hole of mounting button (larger surface) facing bracket, to bracket (four places) (see Figure 2 & Figure 3).
- Place Nylon spacers on mounting holes and align hole pattern on brackets with pattern on back of display (see Figure 4 & Figure 5). Attach bracket using the M4 screws.
- With the aid of another person, lift the display up to the Chief Mount, aligning buttons of mounting brackets with slots in the Chief Mount.
- Lower safety catch on the Chief Mount to secure the display, making sure latch is completely engaged.

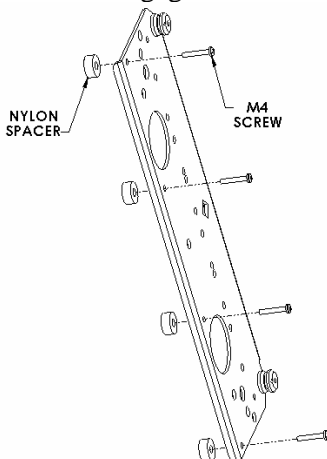


Figure 4

ATTACH BRACKET TO BACK OF DISPLAY
USING THESE HOLES

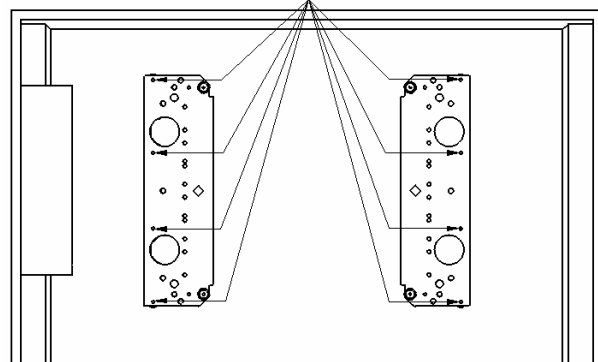


Figure 5