

INSTALLATION INSTRUCTIONS

PSB-2043

PLASMA DISPLAY MOUNTING BRACKET

Prior to assembly, unpack carton completely and verify contents.

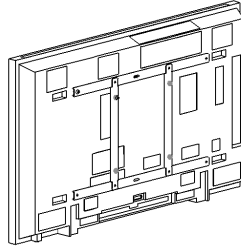


Figure 1

- | | |
|------------------------------------------|-----------------------------------------------|
| (2) Plasma Interface Bracket Uprights | (2) Plasma Interface Brackets Upper and Lower |
| (4) Mounting Buttons-.316" Thru Hole | (4) 5/16-18 x 1" Button Head Cap Screw |
| (4) 5/16-18 x 1/2" Button Head Cap Screw | (4) 5/16-18 Nylock Nut |
| (6) 1/2" Nylon Spacer | (6) M8 x 25 mm Philips Head Cap Screws |
| (1) 3/16" Allen Key | (6) M8 x 30 mm Philips Head Cap Screws |

BEFORE PROCEEDING, READ INSTALLATION INSTRUCTIONS COMPLETELY

CAUTION!

PLASMA DISPLAYS ARE EXTREMELY FRAGILE.

WARNING!

ALL COMPONENTS MUST BE SECURELY FASTENED TO A STRUCTURAL MEMBER CAPABLE OF SUPPORTING 4 TIMES THE COMBINED WEIGHT OF ALL COMPONENTS PLUS THE EQUIPMENT BEING MOUNTED. IF IT CANNOT SUPPORT THIS WEIGHT, THE STRUCTURE MUST BE REINFORCED.

THE MAXIMUM WEIGHT TO BE INSTALLED ON THE MOUNT IS 175 POUNDS (79.38 KG).

1. Using a 5/16-18 x 1" button head cap screw inserted from the front of the mounting button, secure mounting button, with chamfered hole of mounting button (larger surface) facing bracket, to upright brackets (four places) (see Figure 2). Make sure the bends on interface bracket face away from the button.

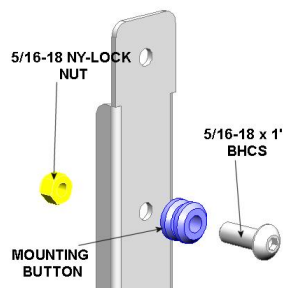


Figure 2

2. Attach the uprights to the upper and lower brackets using the 5/16-18 x 1/2" BHCS (see Figure 3 and Figure 4). Do not fully tighten until the brackets are attached to the screen.

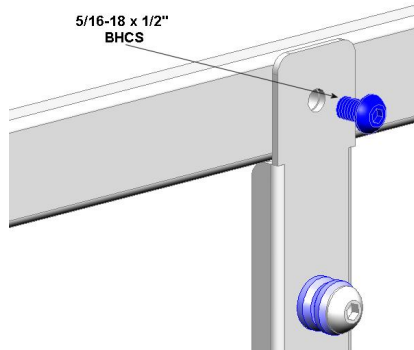


Figure 3

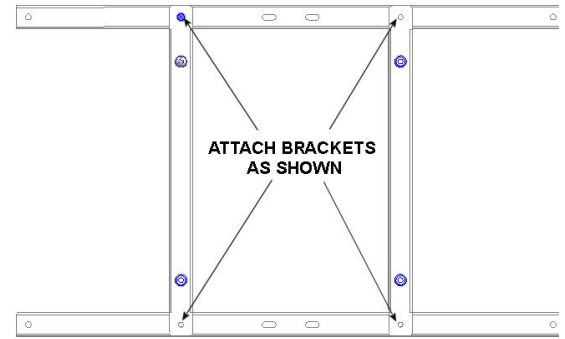


Figure 4

3. Place four or six Nylon spacers over the mounting holes on the back of the screen and attach the brackets using the appropriate M8 screws for your screen (see Figure 5 & Figure 6). After the brackets are tightened in place, fully tighten the 5/16-18 x 1/2" BHCS's to the uprights.

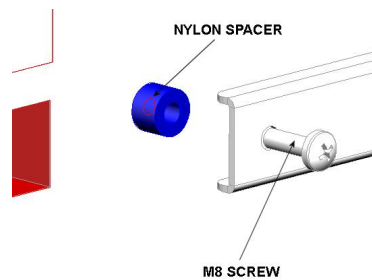


Figure 5

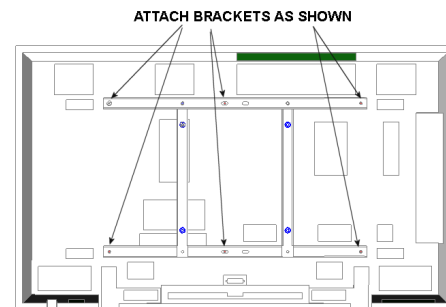


Figure 6

NOTE: If display only has four mounting holes on the back, use outer four holes on bracket to attach bracket to display.

4. With the aid of another person, lift your display up to the Chief Mount, aligning buttons of mounting brackets with slots in the Chief Mount.
5. Lower safety catch on the Chief Mount to secure your display, making sure catch is completely engaged.