



INSTALLATION INSTRUCTIONS

PSB-2049 LCD DISPLAY MOUNTING BRACKET

Prior to assembly, unpack carton completely and verify contents.

If you are missing any of the following components, please contact Customer Service at 1-800/582-6480

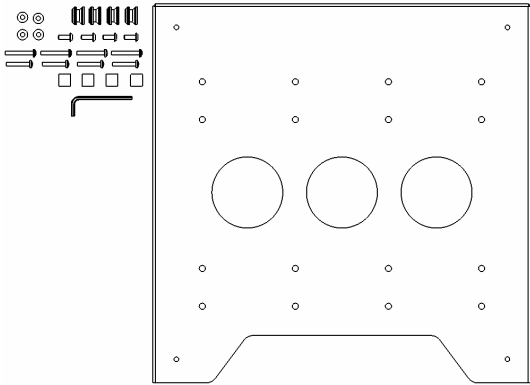


Figure 1

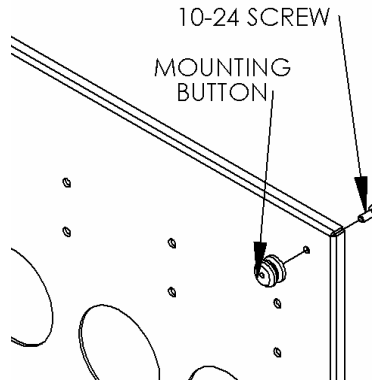


Figure 2

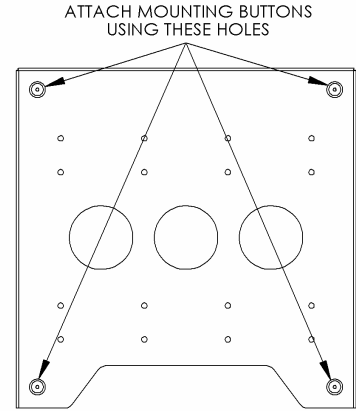


Figure 3

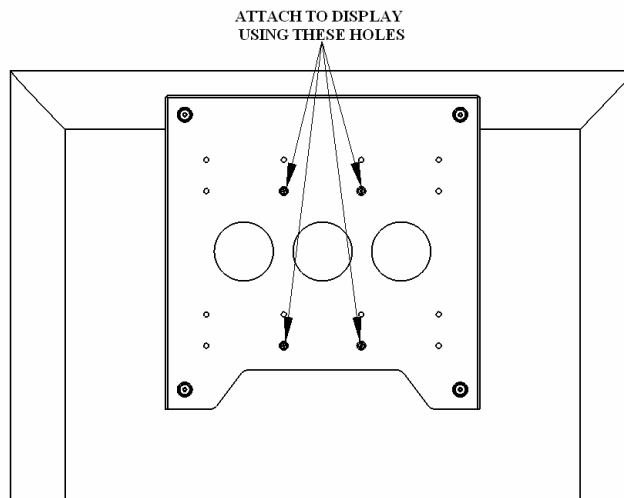
- (1) LCD Interface Bracket
- (4) 10-24 x .5" Button Head Cap Screws
- (4) 1/2 x .194 x 1/2 Round Nylon Spacer
- (1) 1/8" Hex Key

- (4) Mounting Buttons-Tapped 10-24
- (4) M4-1.0 x 25mm Phillips Head Cap Screws
- (4) M4-1.0 x 30mm Phillips Head Cap Screws
- (4) #8 Flat Washers

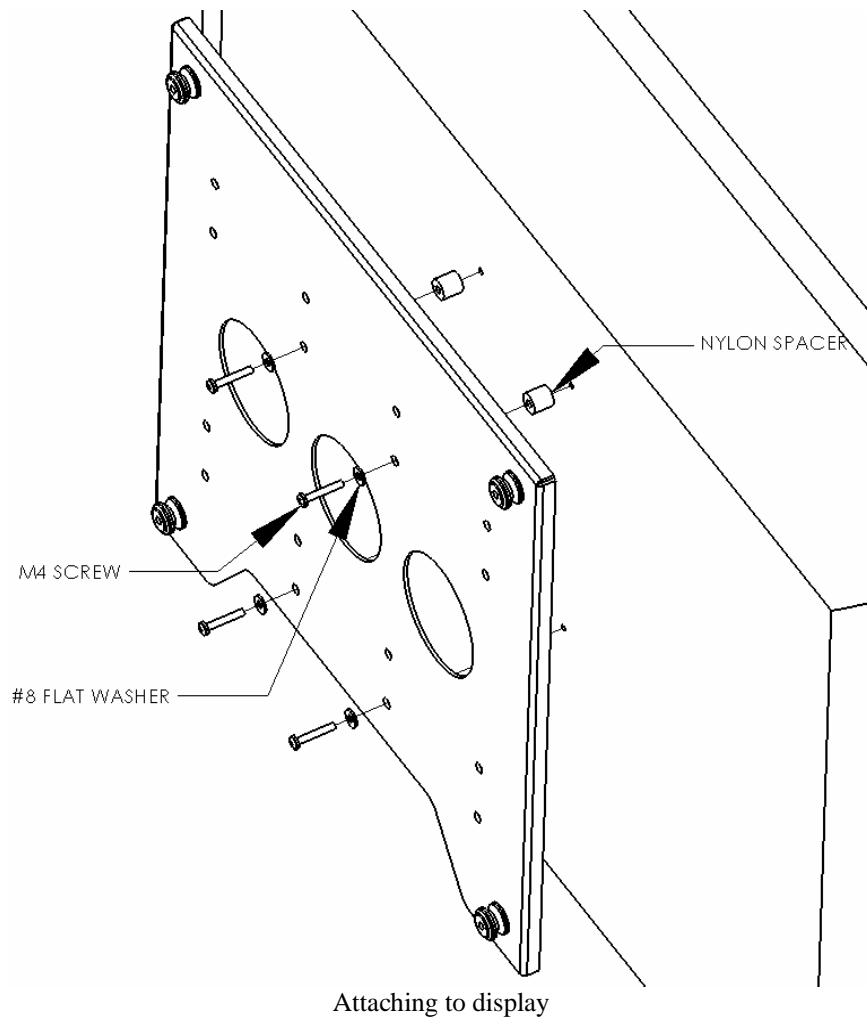
BEFORE PROCEEDING, READ INSTALLATION INSTRUCTIONS COMPLETELY

CAUTION! LCD DISPLAYS ARE EXTREMELY FRAGILE.

1. Using a 10-24 button head cap screw inserted from back side of bracket, secure mounting button, with chamfered hole of mounting button (larger surface) facing bracket, to bracket (four places) (see Figure 2 & Figure 3).
2. Place Nylon spacers on mounting holes, aligning hole pattern on brackets with pattern on back of LCD Display. The set of holes that are offset above the referenced pattern can be used as well, depending on screen pattern location and location of inputs.



Attaching to display



3. Using M4Phillips head screws, secure brackets to display. Choose the length of screw that fits your screen best (25mm or 30mm). Do not over tighten screws.
4. With the aid of another person, lift LCD Display up to the Chief Mount, aligning buttons of mounting brackets with slots in the Chief Mount.
5. Lower safety latch on the Chief Mount to secure LCD Display, making sure latch is completely engaged.