



INSTALLATION INSTRUCTIONS

PSB-2056 LCD DISPLAY MOUNTING BRACKET

Prior to assembly, unpack carton completely and verify contents.

If you are missing any of the following components, please contact Customer Service at 1-800/582-6480

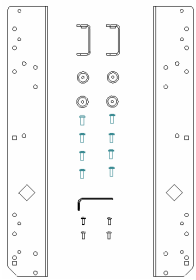


Figure 1

- (1) LCD Left Interface Bracket
- (2) LCD Offset Bracket
- (8) 10-24 x .5" Phillips Head Cap Screws
- (1) M2.5 Allen Key

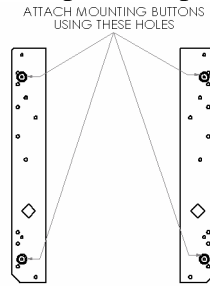


Figure 2

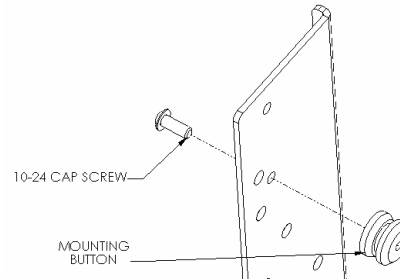


Figure 3

- (1) LCD Right Interface Bracket
- (4) Mounting Buttons-Tapped 10-24
- (4) M4 x 10mm Button Head Cap Screws

BEFORE PROCEEDING, READ INSTALLATION INSTRUCTIONS COMPLETELY

CAUTION! LCD DISPLAYS ARE EXTREMELY FRAGILE.

1. Using a 10-24 phillips head cap screw inserted from back side of bracket, secure mounting button, with chamfered hole of mounting button (larger surface) facing bracket, to bracket (4 places) (see Figure 2 & Figure 3).
2. Place Offset Bracket on mounting holes, aligning square hole pattern on brackets with pattern on back of LCD Display (see Figure 4 & Figure 5).
3. Using M4 button head screws, secure brackets to display. Do not over tighten screws.
4. Place Interface Brackets on Offset Brackets, aligning hole pattern on Interface with pattern on Offset bracket.
5. Using 10-24 phillips head cap screws, secure brackets (See Figure 6 & Figure 7). Do not over tighten screws.
6. With the aid of another person, lift LCD Display up to the Chief Mount, aligning buttons of mounting brackets with slots in the Chief Mount.
7. Lower safety latch on the Chief Mount to secure LCD Display, making sure latch is completely engaged.

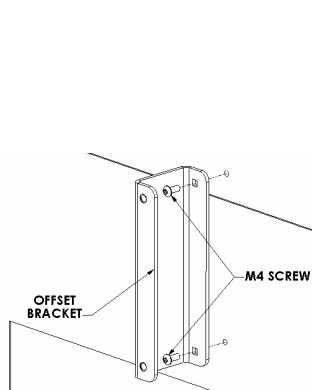


Figure 4

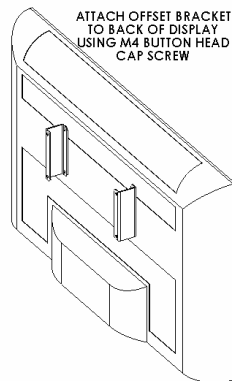


Figure 5

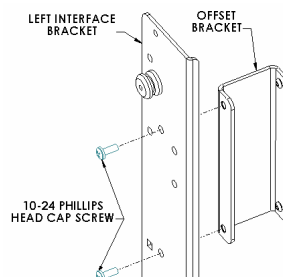


Figure 6

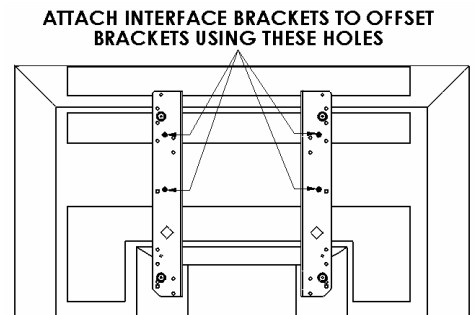


Figure 7